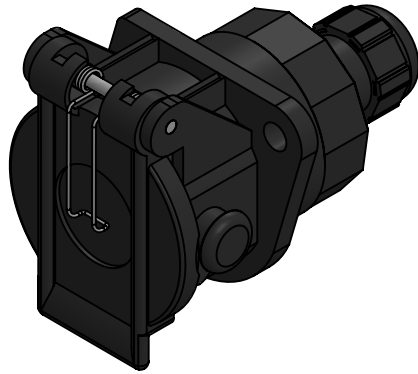
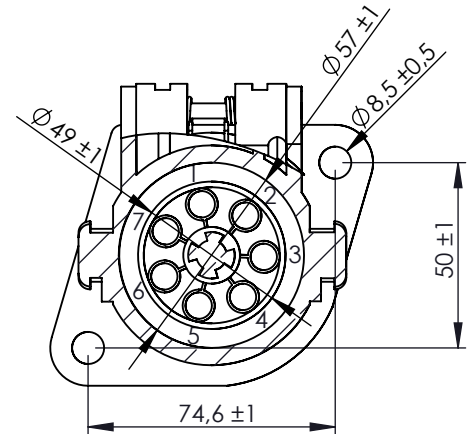
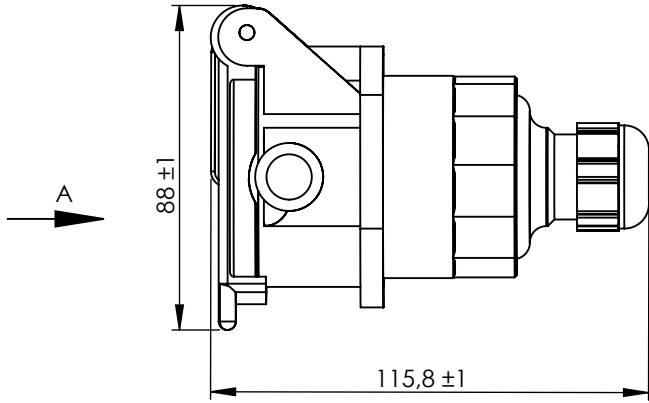


Technical data/ Datos técnicos:

According to/ En referencia a:	4490084042
Operating temperature range/ Rango de temperatura:	-40°C a/to 80°C
Weight/ Peso:	227,7 gr

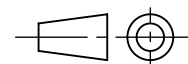


Modification	4					Drawn
	3					25/08/20 S.F.
	2					Checked
	1					25/08/20 E.L.
	nº	Modified	Date	Reason	General Tolerance	Assembly
Comments					ISO 2768 c-K	Part name
					Material	ID. Reference
					-	Scale: 1/2
					-	Review: 0



Serpentine connector/Conector de serpentina

2260114



Sheet 1/1