

1

2

3

4

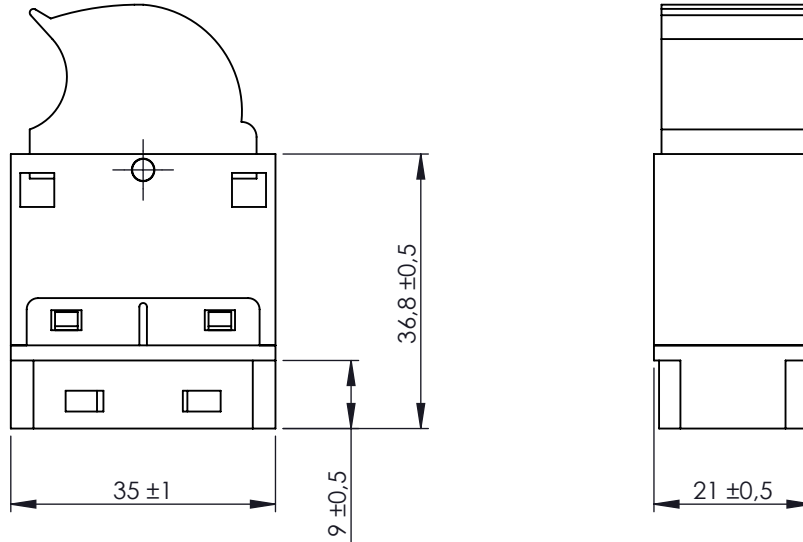
A

Datos técnicos/ Technical data:

According to/ En referencia a:	504266993
Operating temperature range/ Rango de temperatura:	-40°C a/to 80°C
Weight/ Peso:	21,3 gr

A

B

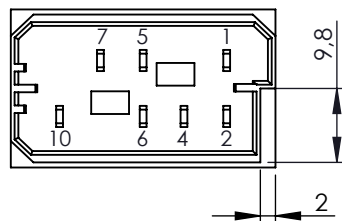


B

C

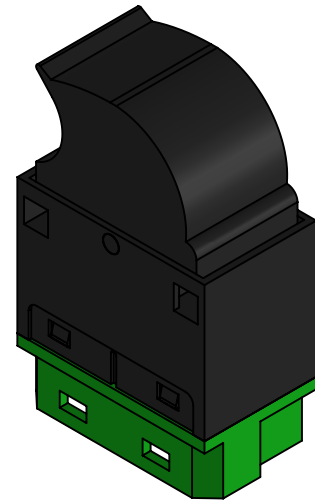
C

D



D

E

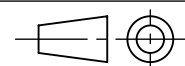


E

F

Modification	4				Drawn	
	3				15/07/20 S.F.	
	2				Checked	
	1				15/07/20 E.L.	
	nº	Modified	Date	Reason	General Tolerance	Assembly
Comments					ISO 2768 c-K	Part name
					Material	ID. Reference
					-	Scale: 1/1
					-	Review: 0

F

Sheet
1/1