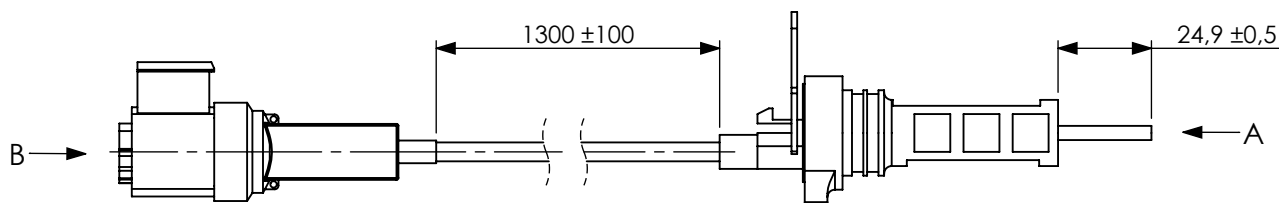
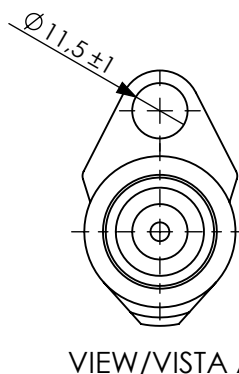
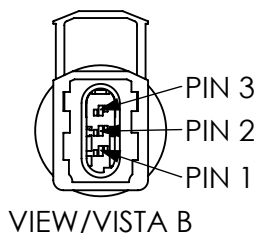
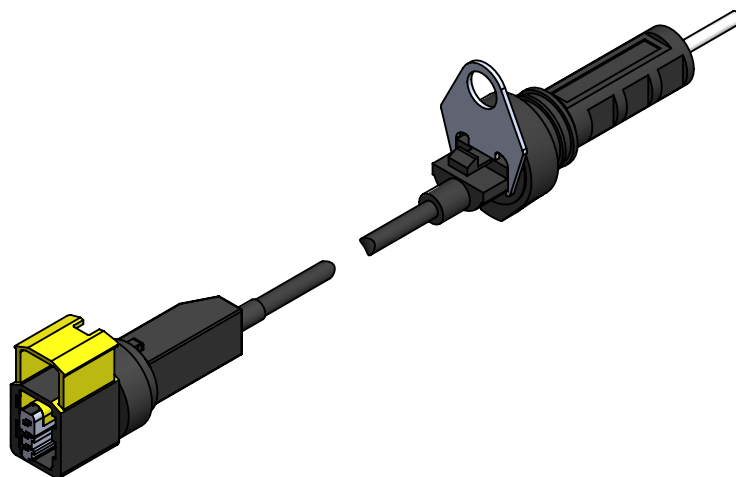


**Technical sheet/ Datos técnicos:**

Part number adaptable to / Referencia adaptable a	21296863
Operating temperature range / Rango de temperatura	-40°C a/to 80°C
Weight / Peso	110 gr

PIN 1	+5V
PIN 2	SIGNAL/SEÑAL
PIN 3	GND/MASA



Modification	4				Drawn			
	3				14/07/23 S.F.			
	2				Checked			
	1				14/07/23 O.V.			
	nº	Modified	Date	Reason	General Tolerance	Assembly		
Comments					ISO 2768 c-K	Part name	Wear sensor/Sensor de desgaste	
					Material	ID. Reference	2261075	
					-	Scale: 1/2		Sheet 1/1
					-	Review: 0		