

1

2

3

4

A

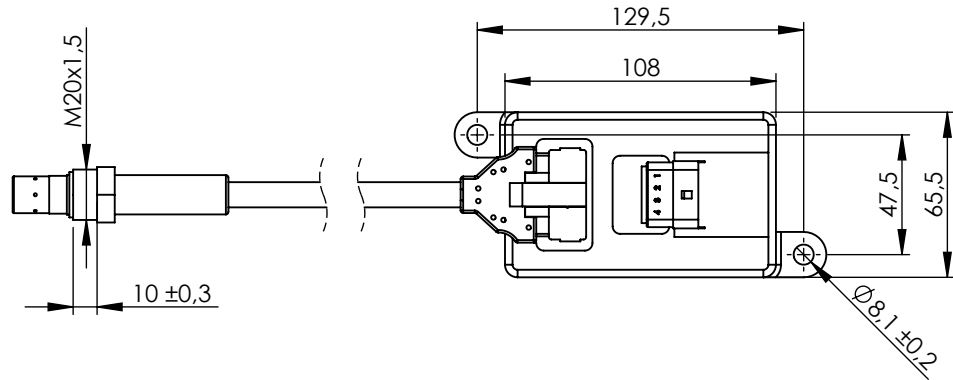
Technical data/ Datos técnicos:

| | |
|---|-----------------|
| According to/ En referencia a: | 2011648 |
| Operating temperature range/Rango de temperatura: | -40°C a/to 80°C |
| Weight/ Peso | 311 gr |

| | |
|-------|----------|
| PIN 1 | +24V |
| PIN 2 | CAN L |
| PIN 3 | CAN H |
| PIN 4 | GND/MASA |

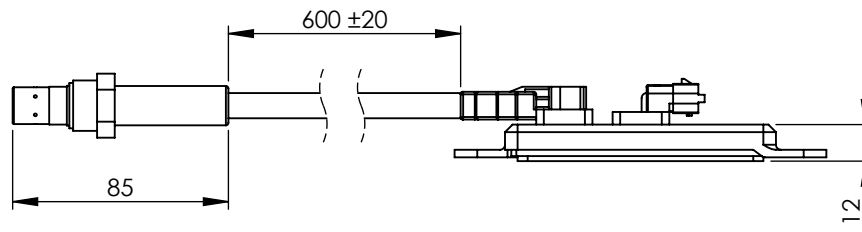
A

B



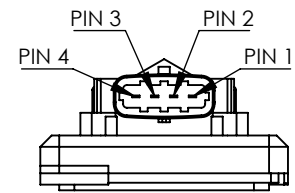
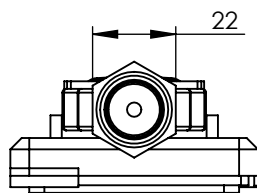
B

C



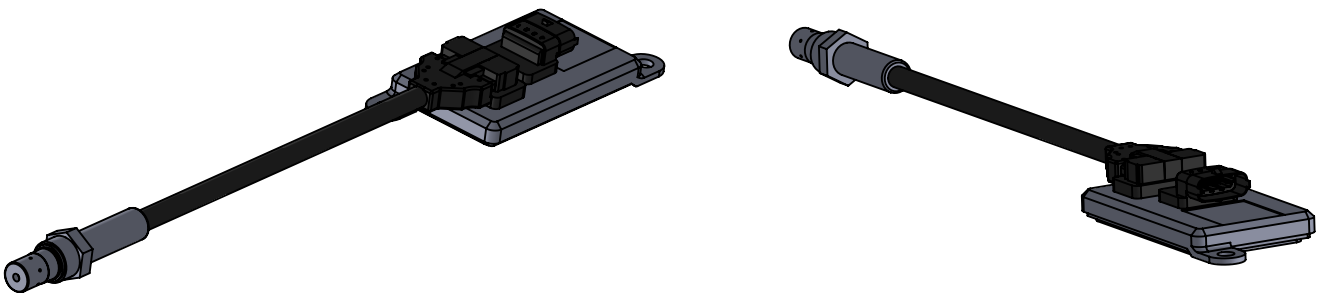
C

D



D

E



E

F

Modification

| | | | | | |
|---|--|--|--|--|---------------|
| 4 | | | | | Drawn |
| 3 | | | | | 11/09/20 S.F. |
| 2 | | | | | Checked |
| 1 | | | | | 11/09/20 E.L. |

Drawn
11/09/20 S.F.
Checked
11/09/20 E.L.

| nº | Modified | Date | Reason | General Tolerance | Assembly |
|----|----------|------|--------|-------------------|----------|
|----|----------|------|--------|-------------------|----------|

Comments

ISO 2768 c-K

Part name

NOx sensor/Sensor NOx

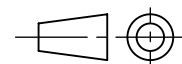
Material

ID. Reference

2269000

Scale: 1/3

Review: 0

Sheet
1/1

F