

1

2

3

4

A

A

**Technical sheet / Datos técnicos:**

Part number adaptable to / Referencia adaptable a	K133755N50
Operating pressure / Presión de trabajo	max. 10 bar
Stroke / Carrera	48 ± 2 mm
Permissible medium / Medio de funcionamiento	Air / Aire
Operating temperature range / Rango de temperatura	-40 °C to / a +80 °C
Weight / Peso	550 gr

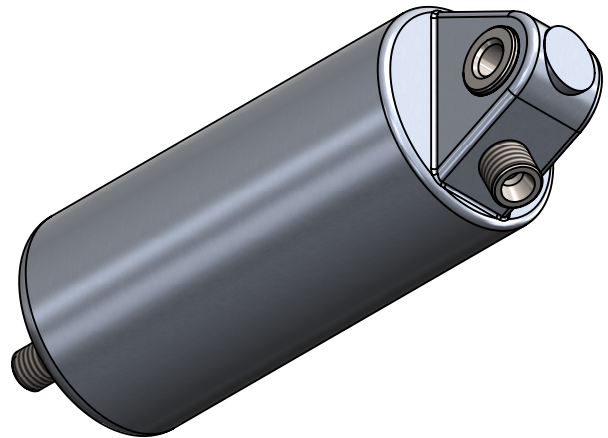
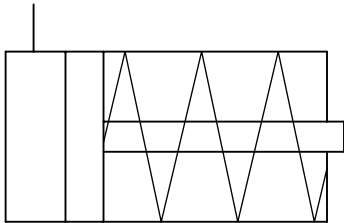
B

B

C

C

**Pneumatic scheme  
/  
Esquema neumático**



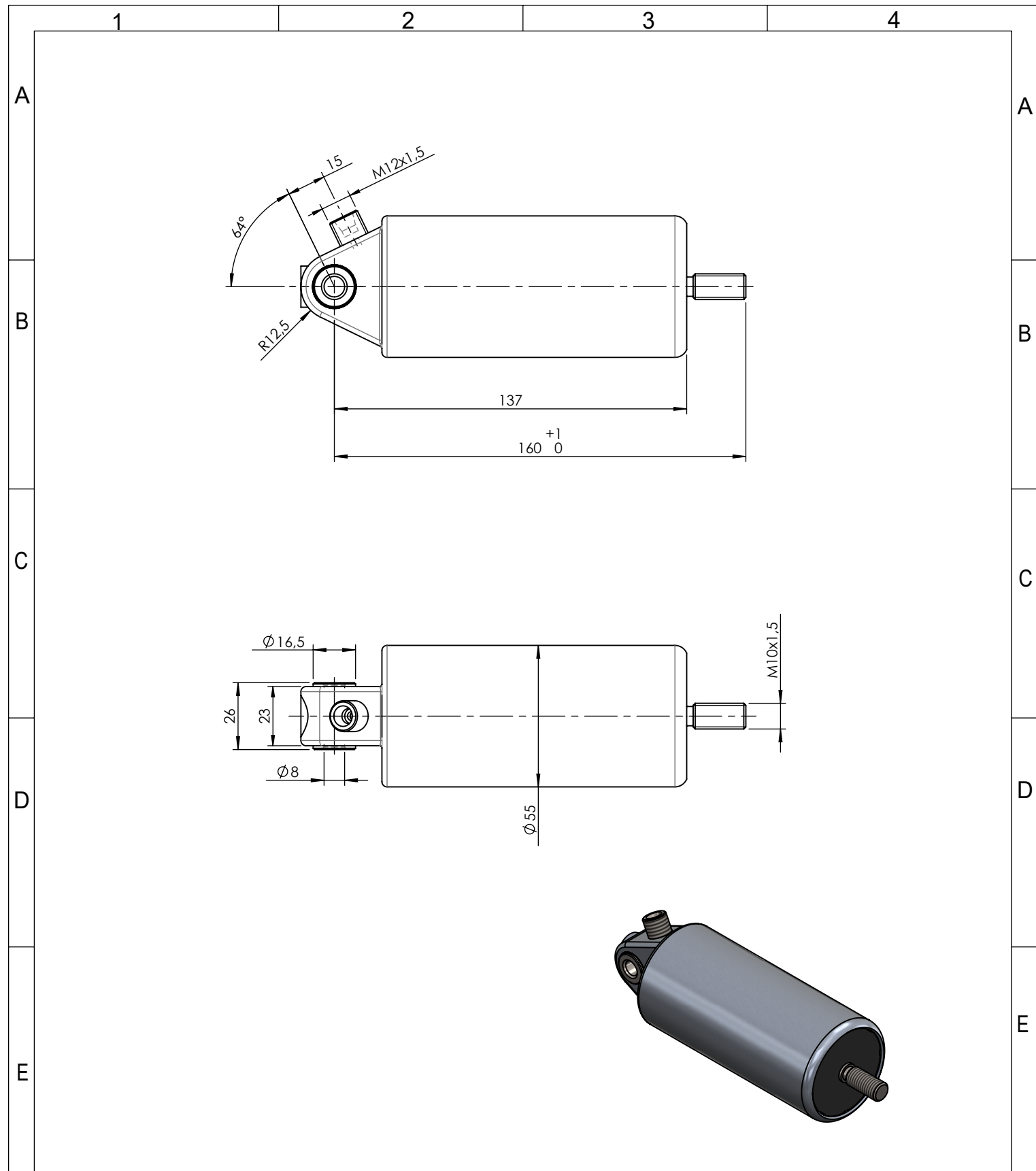
D

D

E

E

F	Modification nº	4				Drawn		F
		3				04/08/20 J.S.		
		2				Checked		
		1				04/08/20 O.V.		
		nº	Modified	Date	Reason	General Tolerance		
Comments					-	Part name	Operating cylinder/Cilindro operacional	
					Material	ID. Reference	2301402	
					-	Scale: -		Sheet 1/2
					-	Review: 0		



F	Modification				Drawn		F
	4				04/08/20 J.S.		
	3				Checked		
	2				04/08/20 O.V.		
	1						
nº	Modified	Date	Reason	General Tolerance	Assembly	-	
Comments				ISO 2768 c-K	Part name	Operating cylinder/Cilindro operacional	
				Material	ID. Reference	2301402	
				-	Scale: 1/2		Sheet 2/2
				-	Review: 0		
PG/18/02 rev.1 1				2	3	4	