

1

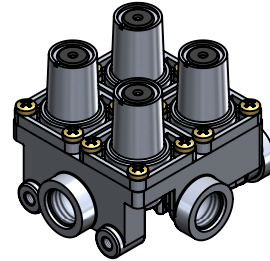
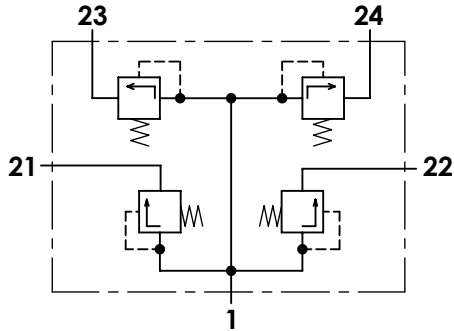
2

3

4

**Technical sheet / Datos técnicos:**

|  |                    |
|--|--------------------|
| Part number adaptable to / Referencia adaptable a  | 0481062413         |
| Operating pressure / Presión de trabajo            | max. 20 bar        |
| Permissible medium / Medio de funcionamiento       | Air / Aire         |
| Operating temperature range / Rango de temperatura | -40°C to / a +90°C |
| Weight / Peso                                      | 1050 gr            |



| Port / Conexión  | Function / Función  | Thread / Rosca |                                  |          |
|--|---|----------------|----------------------------------|----------|
| 1  | Supply / Alimentación   | M22x1,5 VOSS   |                                  |          |
| 21   | Delivery to service brake circuit 1 / Salida al circuito del freno de servicio 1                      | M22x1,5 VOSS   |                                  |          |
| 22   | Delivery to service brake circuit 2 / Salida al circuito del freno de servicio 2                      | M22x1,5 VOSS   |                                  |          |
| 23   | Delivery to parking brake circuit and trailer / Salida al circuito del trailer y del freno de parking | M22x1,5 VOSS   |                                  |          |
| 24   | Delivery to auxiliary circuit / Salida al circuito auxiliares   | M22x1,5 VOSS   |                                  |          |
| <b>Circuit / Circuito</b>  | <b>1</b>  | <b>2</b>       | <b>3</b>                         | <b>4</b> |
| <b>Port / Conexión</b>   | 21  | 22             | 23                               | 24       |
| <b>Opening pressure / Presión de apertura (bar)</b>                | 7,0 <sup>0</sup> <sub>-0,2</sub>  |                | 7,0 <sup>0</sup> <sub>-0,2</sub> |          |
| <b>Closing pressure dynamic / Presión de cierre dinámica (bar)</b> | ≥ 5,0   |                | ≥ 5,0                            |          |

**Purpose / Propósito:**

To distribute clean and dry air from the air dryer to different pneumatic circuits. Ensure pressure in brake circuits in case of leaks or breakage in any circuit. / Distribuir el aire limpio y seco proveniente del secador a los diferentes circuitos neumáticos. Asegurar la presión en los circuitos de freno en caso de fuga o rotura en cualquier circuito.

**E Installation requirements / Requisitos para la instalación:**

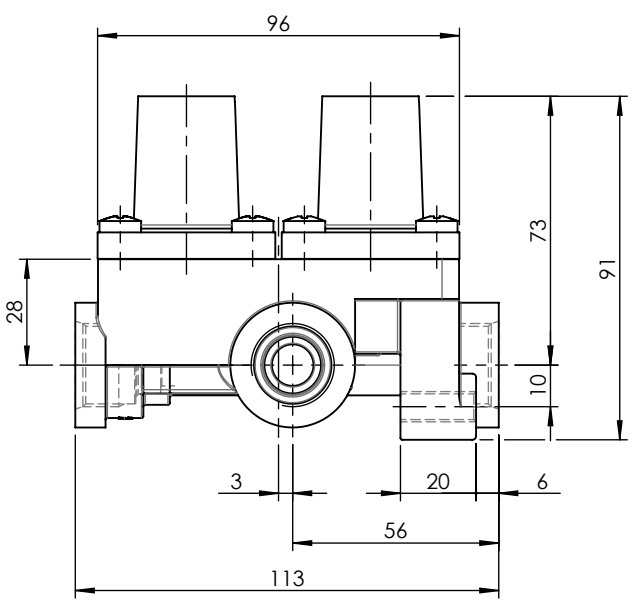
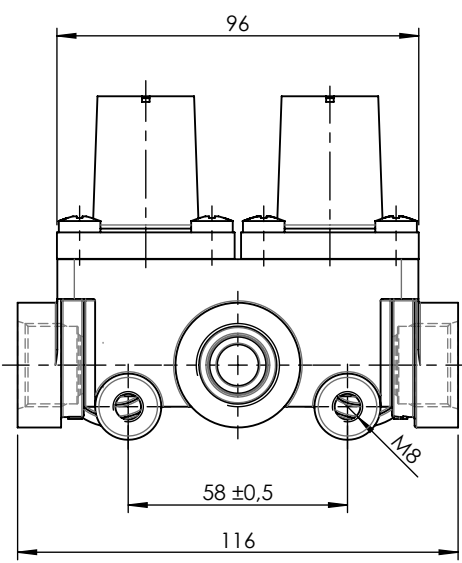
The protection valve may be installed into the piping in any position. Mounting is accomplished by using two screws M8. / La válvula de protección puede instalarse en las tuberías en cualquier posición. El montaje se realiza mediante dos tornillos M8.

|              |    |          |          |                        |                   |                          |           |
|--------------|----|----------|----------|------------------------|-------------------|--------------------------|-----------|
| Modification | 4  |          |          |                        | Drawn             |                          |           |
|              | 3  |          |          |                        | 03/08/15 A.U.     |                          |           |
|              | 2  |          |          |                        | Checked           |                          |           |
|              | 1  | J.S.     | 02/06/21 | Change of sheet format | 03/08/15 A.L.     |                          |           |
|              | nº | Modified | Date     | Reason                 | General Tolerance |                          | Assembly  |
| Comments     |    |          |          |                        | Part name         | Protection circuit valve |           |
|              |    |          |          |                        | Material          | ID. Reference            | 2322209   |
|              |    |          |          |                        | Scale: -          |                          | Sheet 1/2 |
|              |    |          |          | Review: 1              |                   |                          |           |

1 2 3 4

A

A

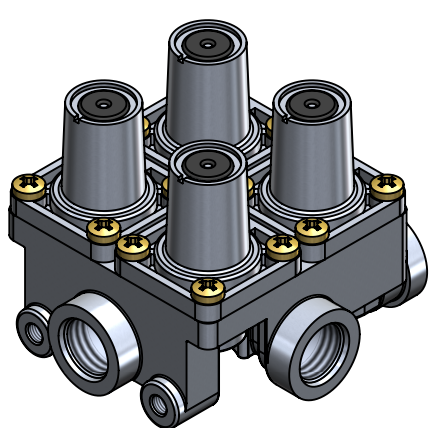
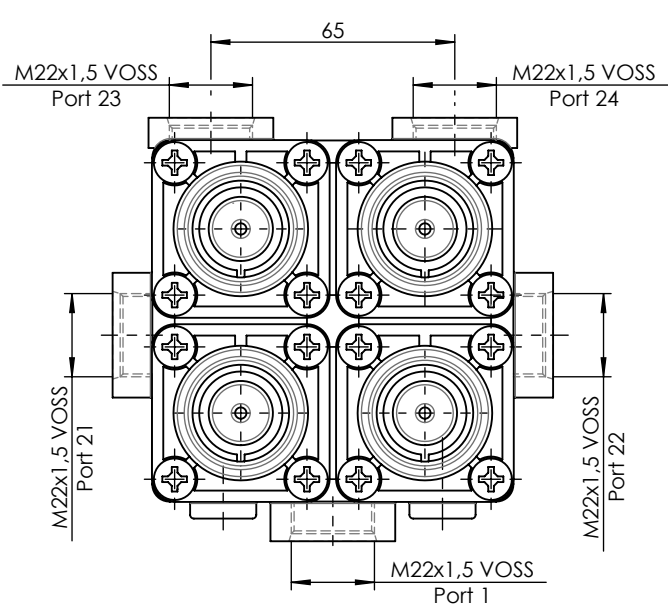


B

B

C

C



D

D

E

E

|          |              |          |      |          |                        |               |                          |
|----------|--------------|----------|------|----------|------------------------|---------------|--------------------------|
| F        | Modification | 4        |      |          |                        | Drawn         |                          |
|          |              | 3        |      |          |                        | 03/08/15 A.U. |                          |
|          |              | 2        |      |          |                        | Checked       |                          |
|          |              | 1        | J.S. | 02/06/21 | Change of sheet format | 03/08/15 A.L. |                          |
|          | n°           | Modified | Date | Reason   | General Tolerance      | Assembly      |                          |
| Comments |              |          |      |          | ISO 2768 c-K           | Part name     | Protection circuit valve |
|          |              |          |      |          | Material               | ID. Reference | 2322209                  |
|          |              |          |      |          |                        | Scale: 1/2    |                          |
|          |              |          |      |          |                        | Review: 1     |                          |