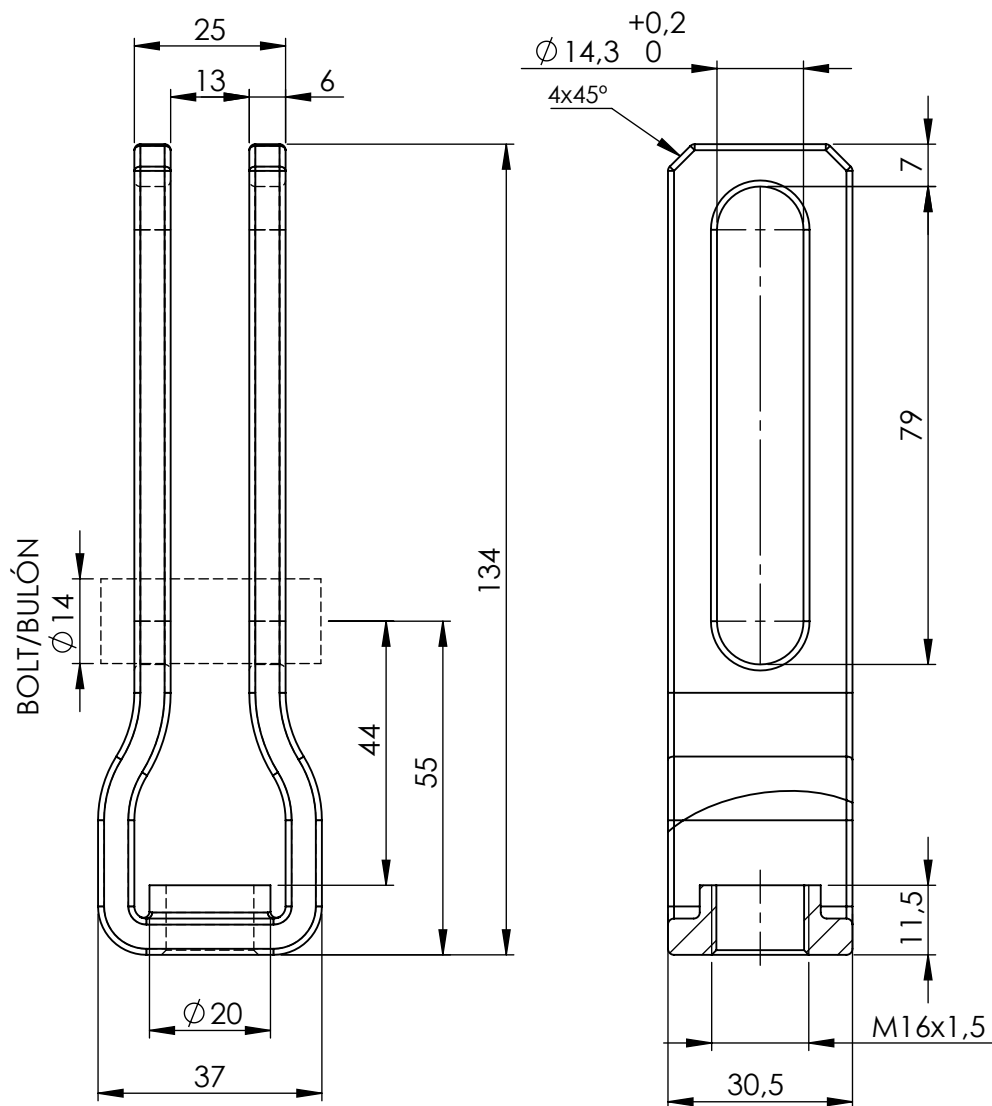
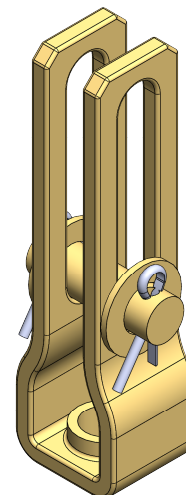


**Technical Sheet / Datos técnicos:**

|   |                     |
|---|---------------------|
| Operating temperature range / Rango de temperatura: | - 40°C a / to +80°C |
| Weight / Peso:                                      | 282 g               |



|              |    |          |      |        |                   |               |
|--------------|----|----------|------|--------|-------------------|---------------|
| Modification | 4  |          |      |        | Drawn             |               |
|              | 3  |          |      |        | 27/09/16 A.U.     |               |
|              | 2  |          |      |        | Checked           |               |
|              | 1  |          |      |        | 27/09/16 A.L.     |               |
|              | nº | Modified | Date | Reason | General Tolerance | Assembly      |
| Comments     |    |          |      |        | ISO 2768 c-K      | Part name     |
|              |    |          |      |        | Material          | ID. Reference |
|              |    |          |      |        | -                 | Scale: -      |
|              |    |          |      |        | -                 | Review: 0     |



YOKE BOLT 14 mm/  
HORQUILLA BULÓN 14 mm

2351520

Sheet 1/2