

1

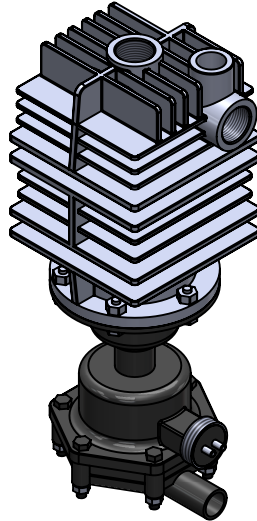
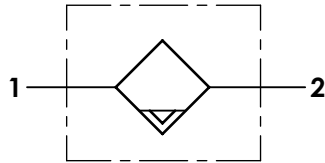
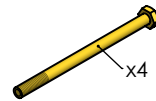
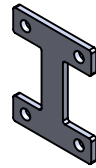
2

3

4

A Technical sheet / Datos técnicos:

| | |
|--|--------------------|
| Part number adaptable to / Referencia adaptable a | 92671S |
| Voltage / Tensión | 24V |
| Current / Intensidad | 0.5A |
| Permissible medium / Medio de funcionamiento | Air / Aire |
| Operating temperature range / Rango de temperatura | -40°C to / a +80°C |
| Weight / Peso | 2220 gr |


 Parts included /
Piezas incluidas


| Port / Conexión | Function / Función | Thread / Rosca |
|-----------------|-----------------------|-----------------|
| 1 | Supply / Alimentación | M22x1.5 |
| 2 | Delivery / Salida | M22x1.5 |
| 3 | Exhaust / Escape | Ø18 mm / Ø15 mm |
| 6 | Connector / Conector | M27x1 |

Purpose / Propósito: Eliminating oil particles, liquids and other contaminants that can arrive through the compressor in order to avoid they reach the air system. / Eliminar partículas de aceite, líquidos y otros contaminantes que pueden llegar a través del compresor con el fin de evitar que estos alcancen el sistema de aire.

Installation requirements / Requisitos para la instalación: The air condenser is installed between compressor and air dryer. / El condensador de aire se instala entre el compresor y el secador de aire.

| | | | | | | | |
|--------------|----|----------|------|--------|-------------------|---------------|---------------|
| Modification | 4 | | | | Drawn | | |
| | 3 | | | | 28/07/20 S.F. | | |
| | 2 | | | | Checked | | |
| | 1 | | | | 28/07/20 O.V. | | |
| | nº | Modified | Date | Reason | General Tolerance | | Assembly |
| Comments | | | | | - | Part name | Air condenser |
| | | | | | Material | ID. Reference | 2480015 |
| | | | | | - | Scale: - | |
| | | | | | - | Review: 0 | |

1

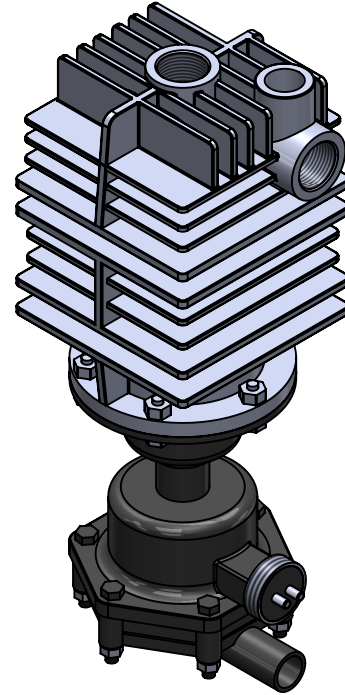
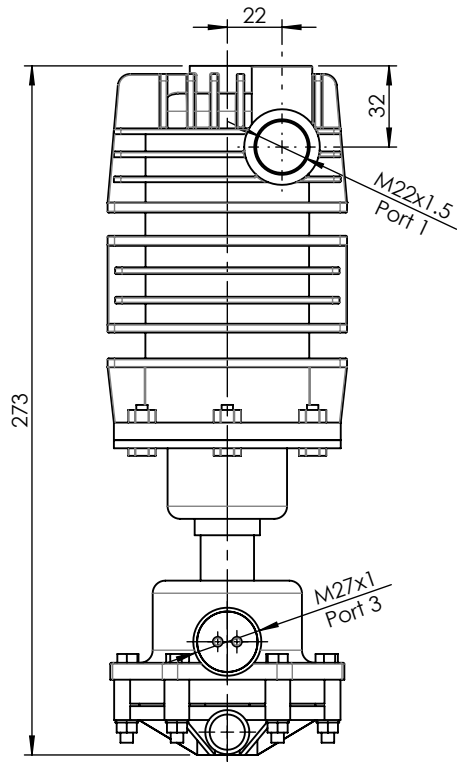
2

3

4

A

A



B

B

C

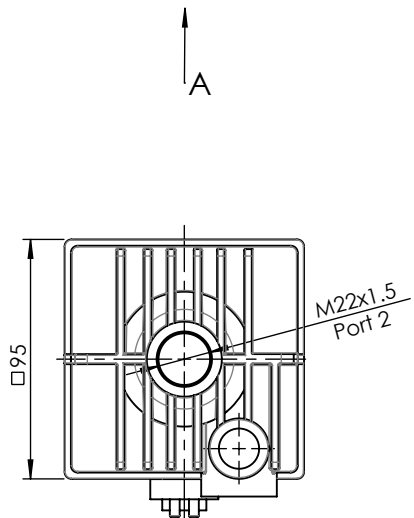
C

D

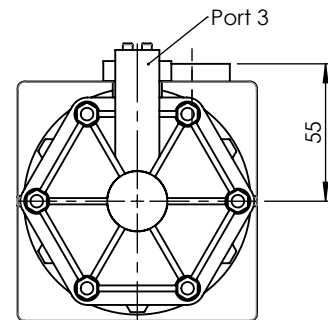
D

E

E



VIEW/VISTA A



F

F

| | | | | | | | |
|--------------|----|----------|------|--------|-------------------|---------------|---------------|
| Modification | 4 | | | | | Drawn | |
| | 3 | | | | | 28/07/20 S.F. | |
| | 2 | | | | | Checked | |
| | 1 | | | | | 28/07/20 O.V. | |
| | nº | Modified | Date | Reason | General Tolerance | Assembly | - |
| Comments | | | | | ISO 2768 c-K | Part name | Air condenser |
| | | | | | Material | ID. Reference | 2480015 |
| | | | | | - | Scale: 1/3 | |
| | | | | | - | Review: 0 | |