

1 2 3 4 5 6 7 8

A

B

C

D

E

F

A

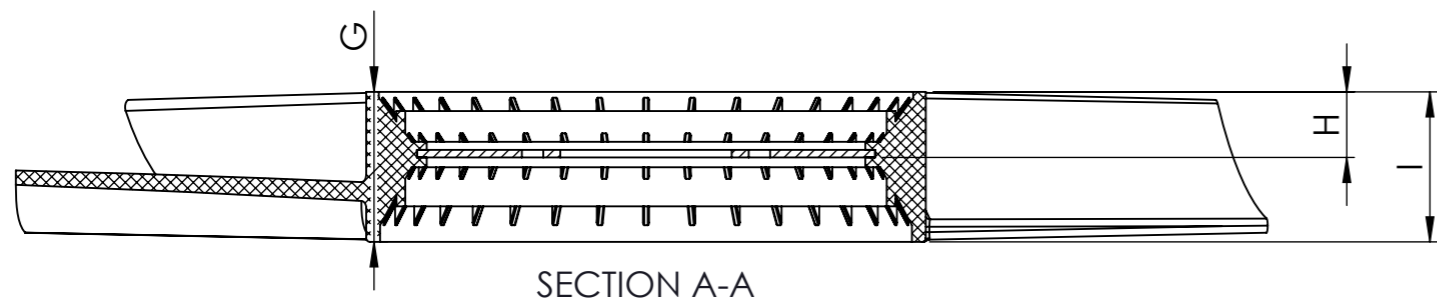
B

C

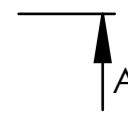
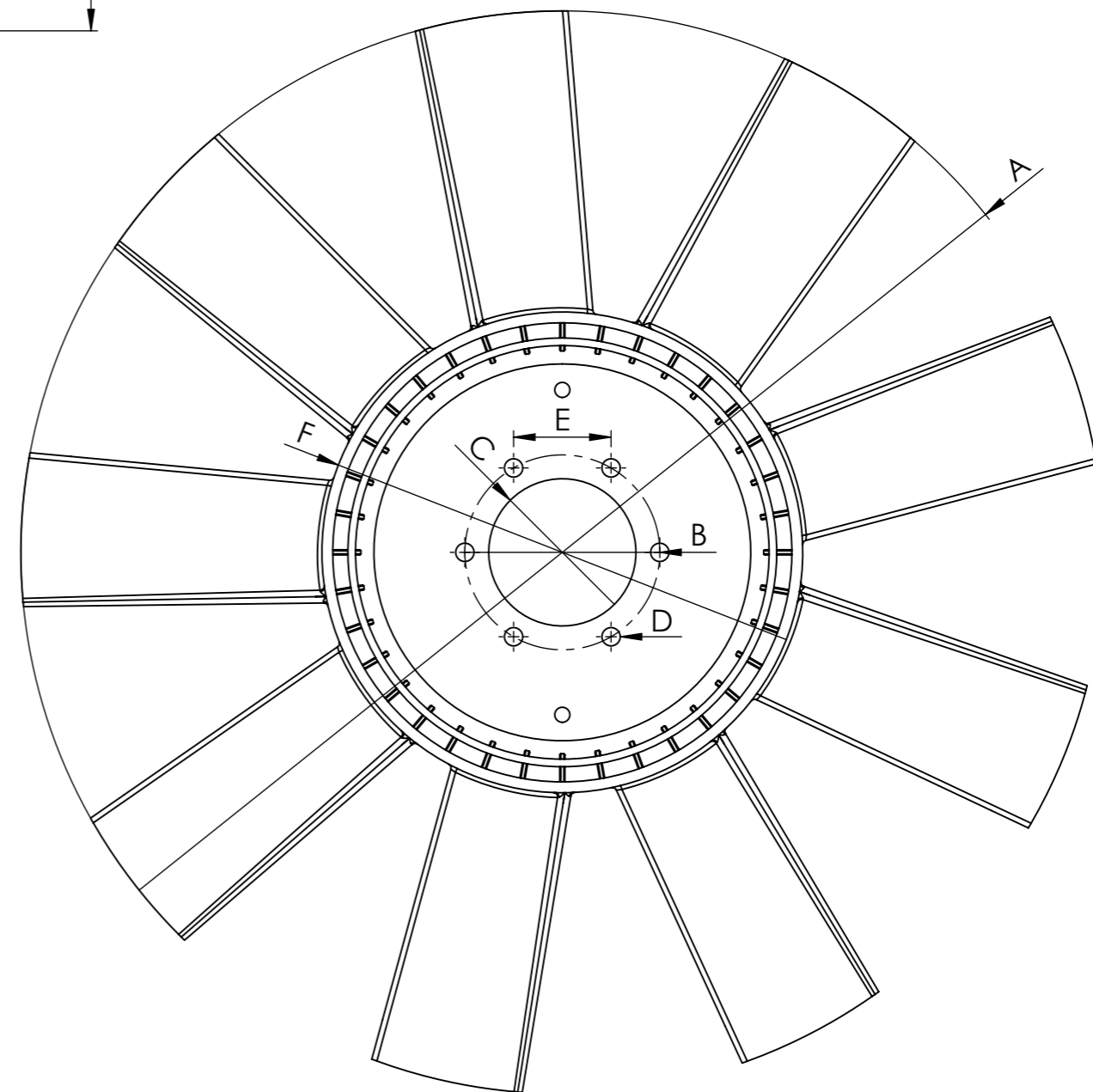
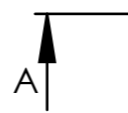
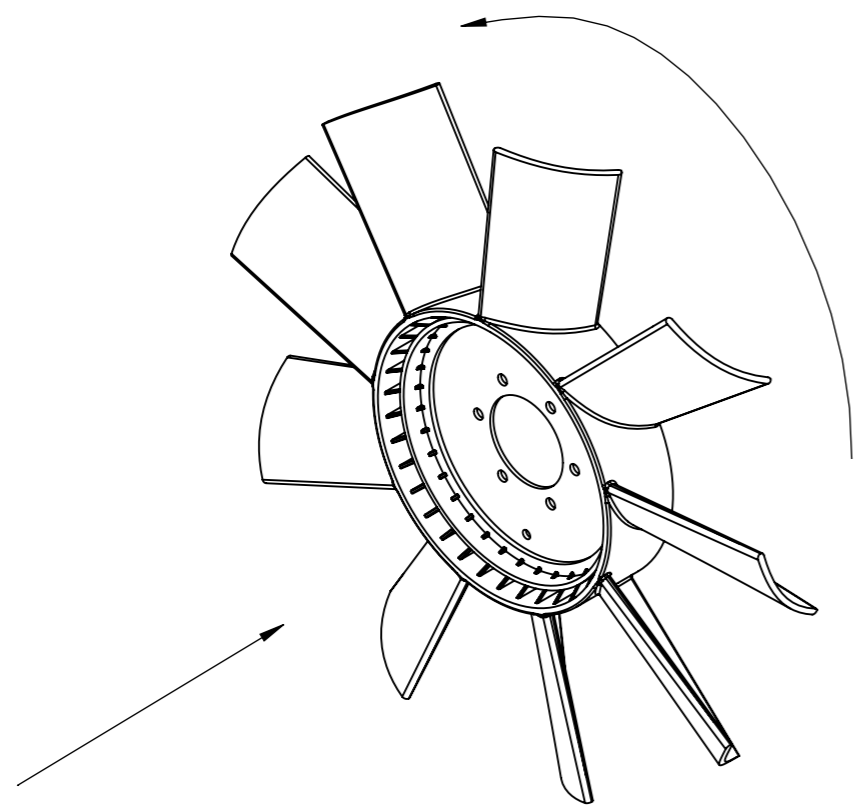
D

E

F



SECTION A-A



FAN WHEEL			
Ref.n°	Value	Ref.n°	Value
A	∅ 500 ±3 mm	G	59 ±3 mm
B	∅ 90 mm	H	26 ±3 mm
C	∅ 68 +0.3 0 mm	I	59 ±3 mm
D	6x ∅ 8.5 mm		
E	45 mm		
F	∅ 222 ±3 mm		
Number of blades		9	Configuration
			CCW

Modification n°	Modified	Date	Reason
4			
3			
2			
1			

Comments

Drawn
30/07/20 A.G.

Checked
30/07/20 R.U.

General Tolerance
ISO 2768 c-K

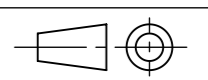
Material

Assembly
Part name Fan wheel

ID. Reference 7017404

Scale: 1/3

Review: 0



Sheet
1/1

1 2 3 4 5 6 7 8