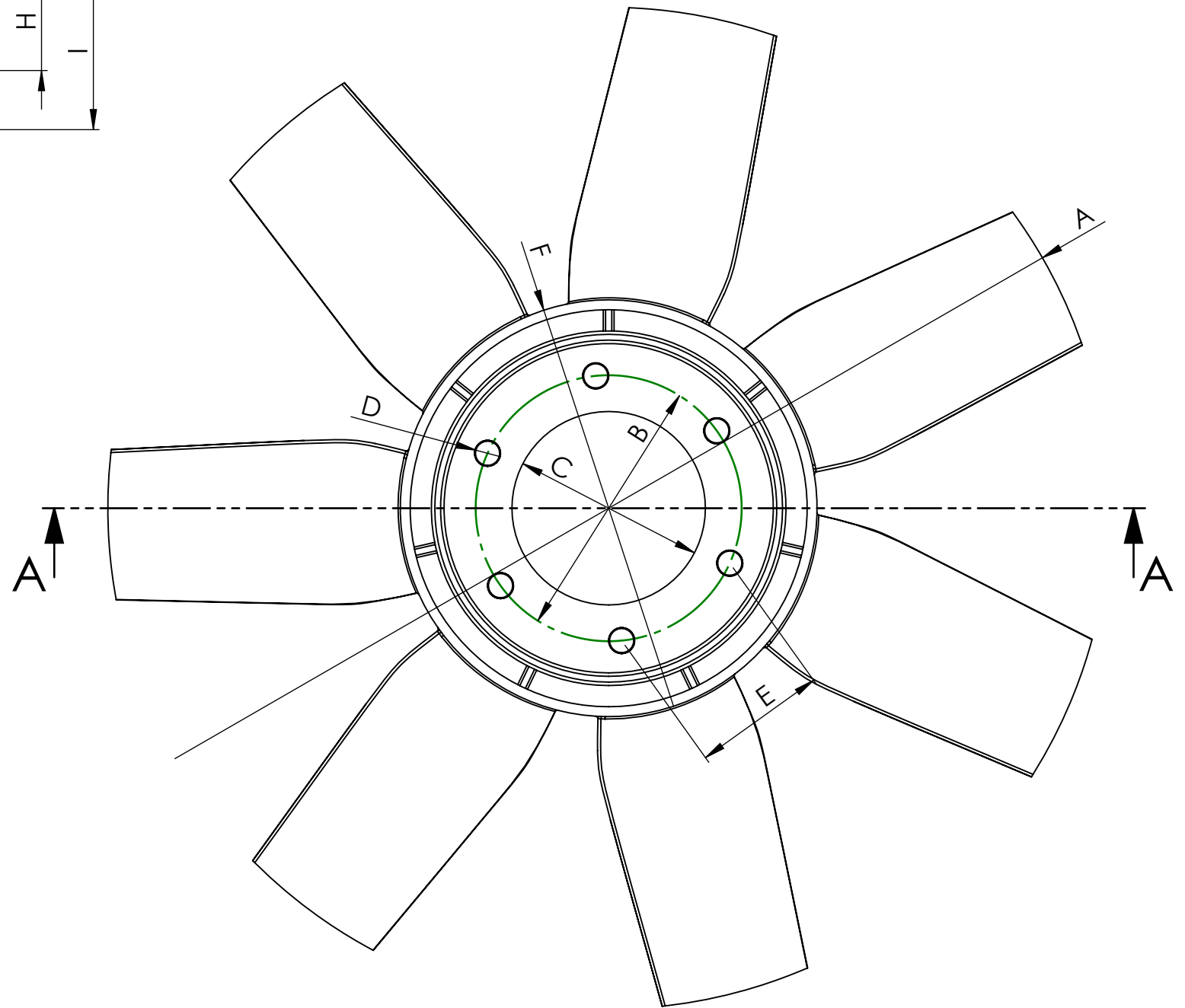
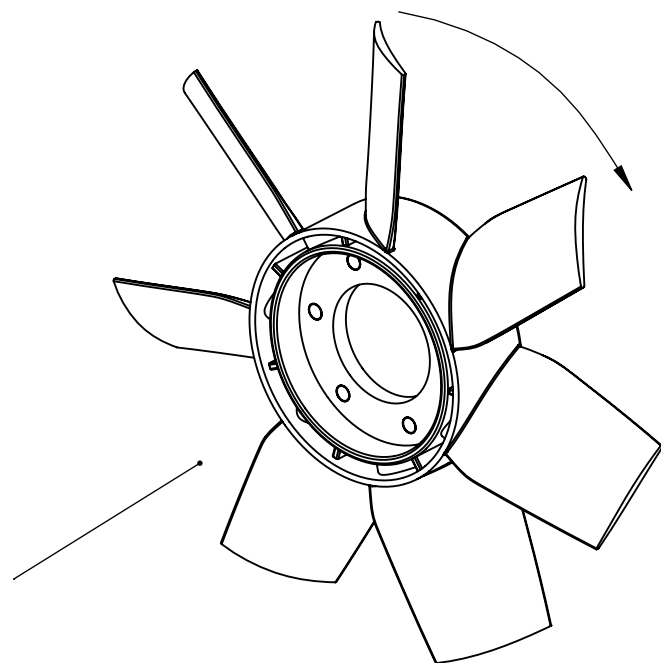


SECTION A-A



FAN WHEEL			
Ref.n°	Value	Ref.n°	Value
A	$\phi 435 \pm 3$ mm	G	67.2 ± 3 mm
B	$\phi 109$ mm	H	40.5 ± 3 mm
C	$\phi 82.5 +0.30$ mm	I	69 ± 3 mm
D	6x $\phi 11$ mm		
E	54.5 mm		
F	$\phi 182 \pm 3$ mm		
Number of blades		7	Configuration
			CW

Modification n°	Modified	Date	Reason	Comments	Drawn
					4
3					Checked
2					27/05/20 V.P.
1					

General Tolerance		ISO 2768 c-K	Assembly	Technical sheet
Material			Part name	Fan wheel
Scale:		2/5	ID. Reference	7057107
Review:		0		



Sheet 1/1