

1 2 3 4 5 6 7 8

A

A

B

B

C

C

D

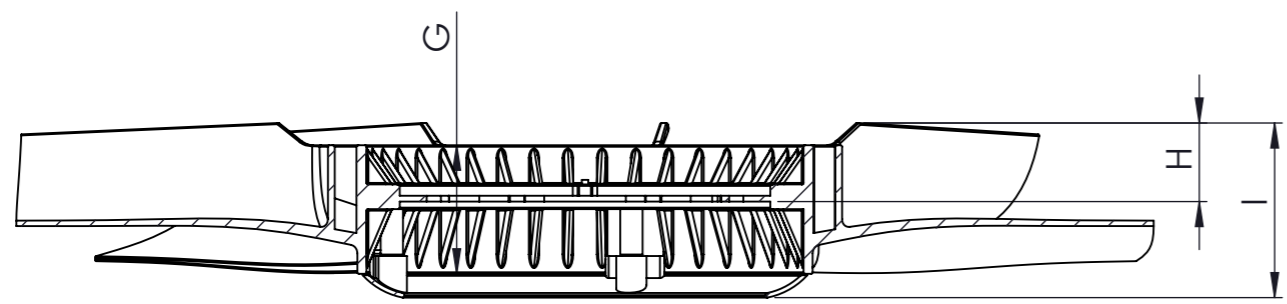
D

E

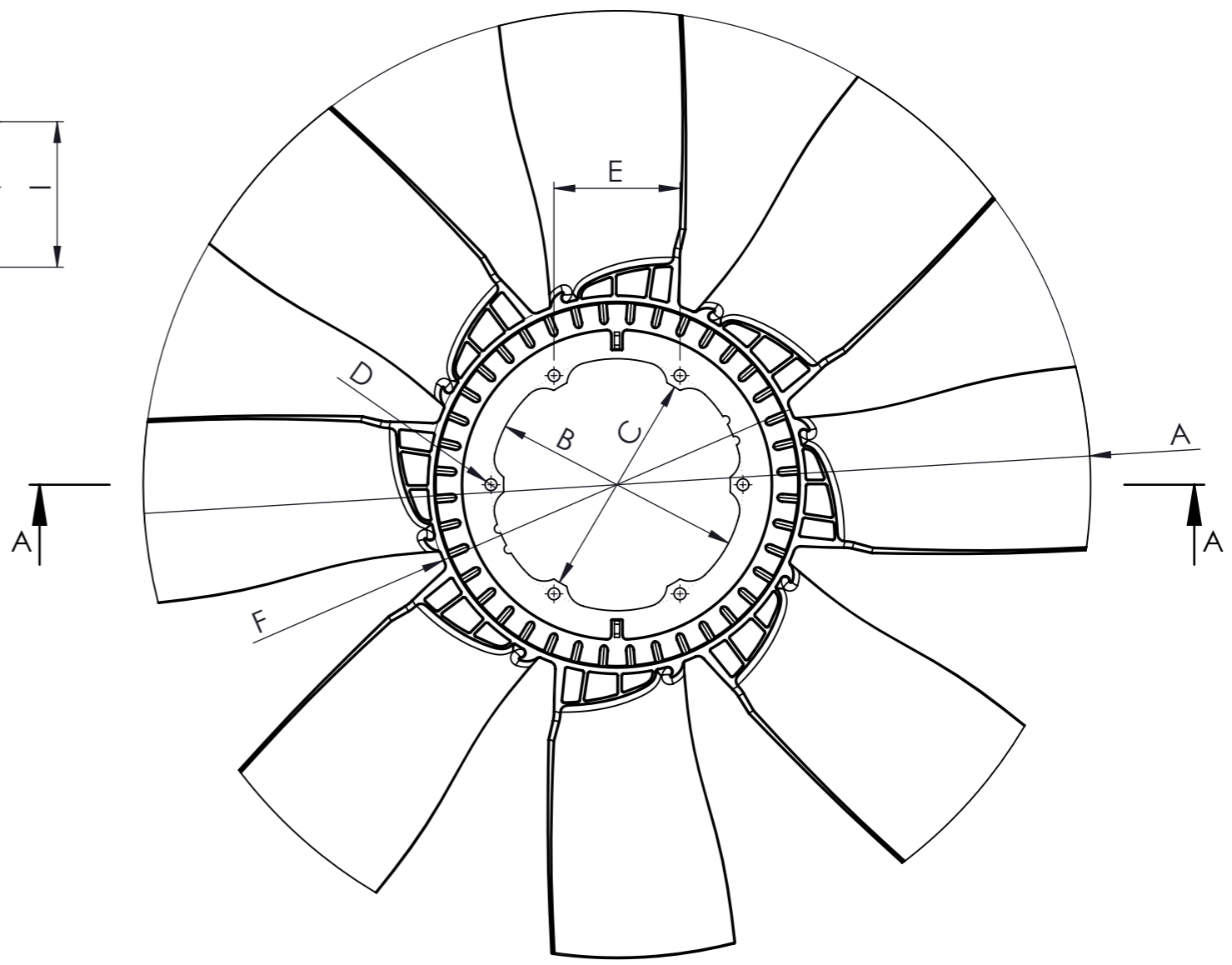
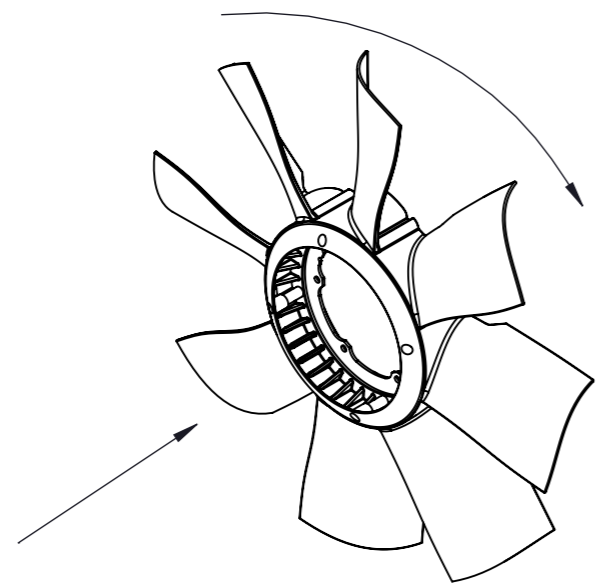
E

F

F



SECCIÓN A-A



Dimensional values	FAN WHEEL			
	Ref.nº	Value	Ref.nº	Value
	A	$\phi 750 \pm 3$ mm	G	$85 \pm 3$ mm
	B	$\phi 200$ mm	H	$52,5 \pm 3$ mm
	C	$\phi 180 +0,30$ mm	I	$115,5 \pm 3$ mm
	D	6x $\phi 9,3$ mm		
	E	100,3 mm		
	F	$\phi 301 \pm 3$ mm		
	Number of blades		8	Configuration
				CW

Modification nº	Modified	Date	Reason	Comments
4				
3				
2				
1				

**Drawn**  
06/08/21 S.S.  
**Checked**  
06/08/21 R.U.

		<b>General Tolerance</b>	ISO 2768 c-K	<b>Assembly</b>	Technical sheet
		<b>Material</b>		<b>Part name</b>	Fan wheel
		<b>ID. Reference</b>	7207118	<b>Scale:</b>	1/5
		<b>Review:</b>	0		<b>Sheet</b> 1/1

1 2 3 4 5 6 7 8