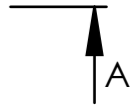
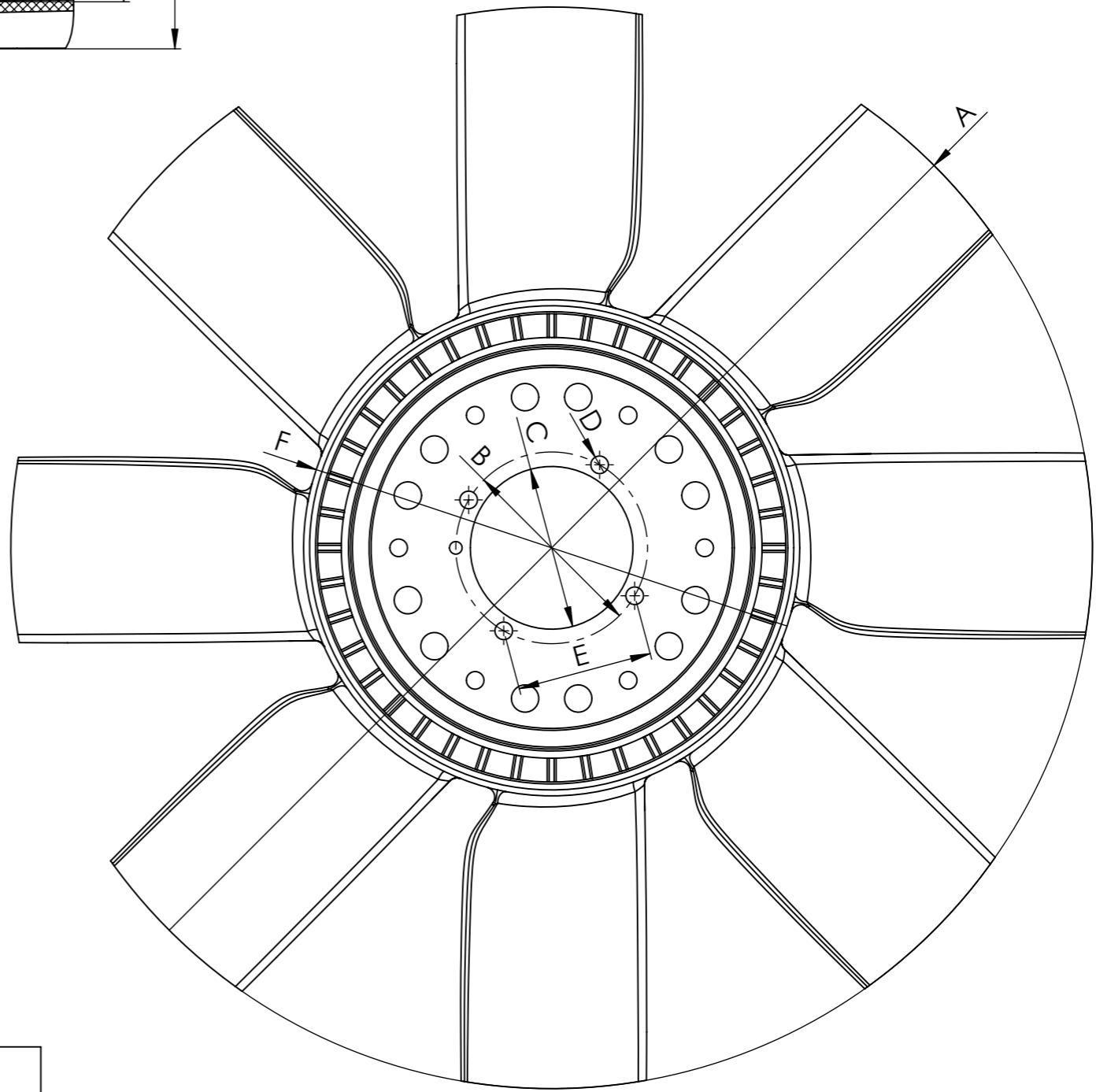
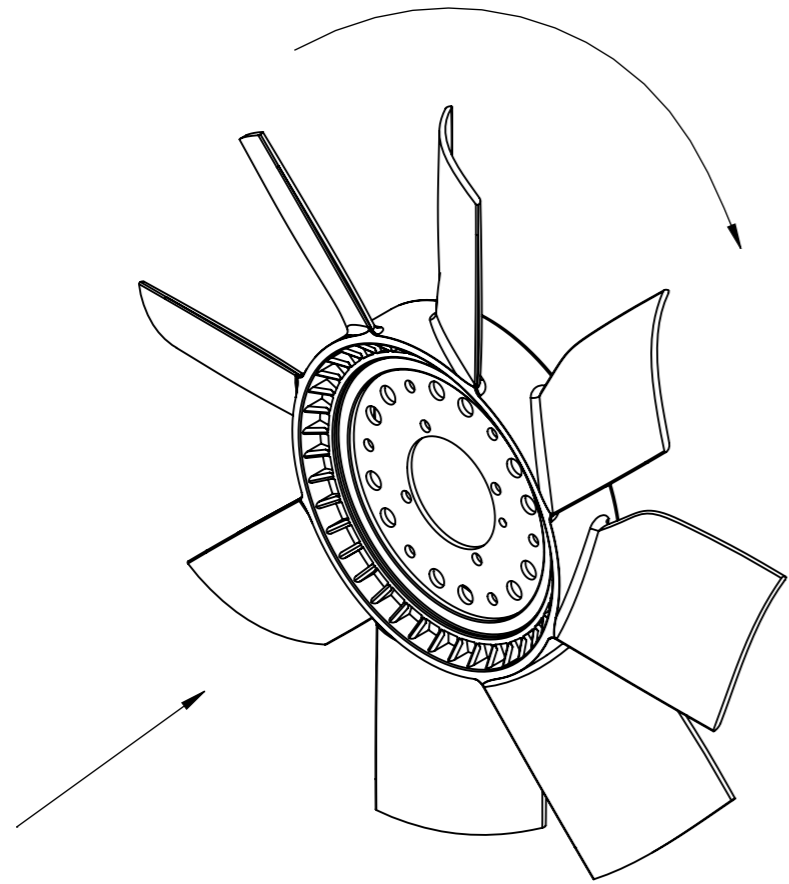


SECTION A-A



FAN WHEEL			
Ref.n°	Value	Ref.n°	Value
A	$\phi 545 \pm 3$ mm	G	$59 \pm 3$ mm
B	$\phi 96.7$ mm	H	$42.5 \pm 3$ mm
C	$\phi 82.5 +0.3 0$ mm	I	$66 \pm 3$ mm
D	4x $\phi 9$ mm		
E	68.4 mm		
F	$\phi 250 \pm 3$ mm		
Number of blades		8	Configuration
			CW

Modification n°	Modified	Date	Reason
4			
3			
2			
1			

Comments

Drawn  
27/04/21 A.G.  
Checked  
27/04/21 R.U.

General Tolerance  
ISO 2768 c-K  
Material

Assembly  
Part name  
ID. Reference  
Scale: 1/3  
Review: 0



Technical sheet  
Fan wheel  
8521619  
Sheet 1/1

