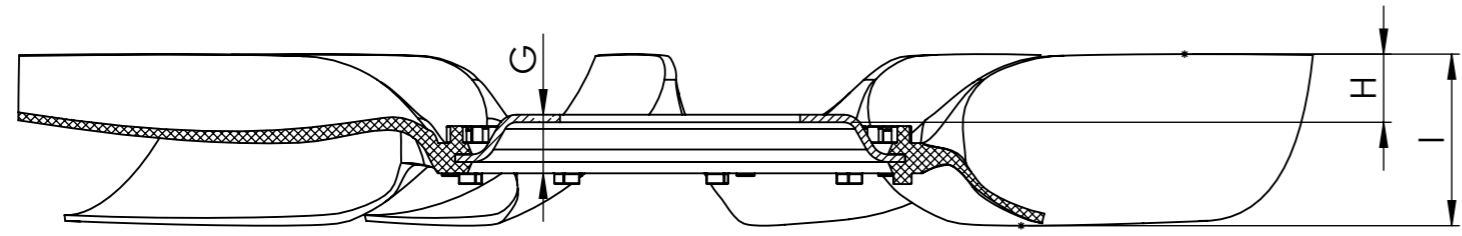


1 2 3 4 5 6 7 8

A

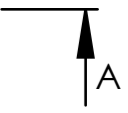
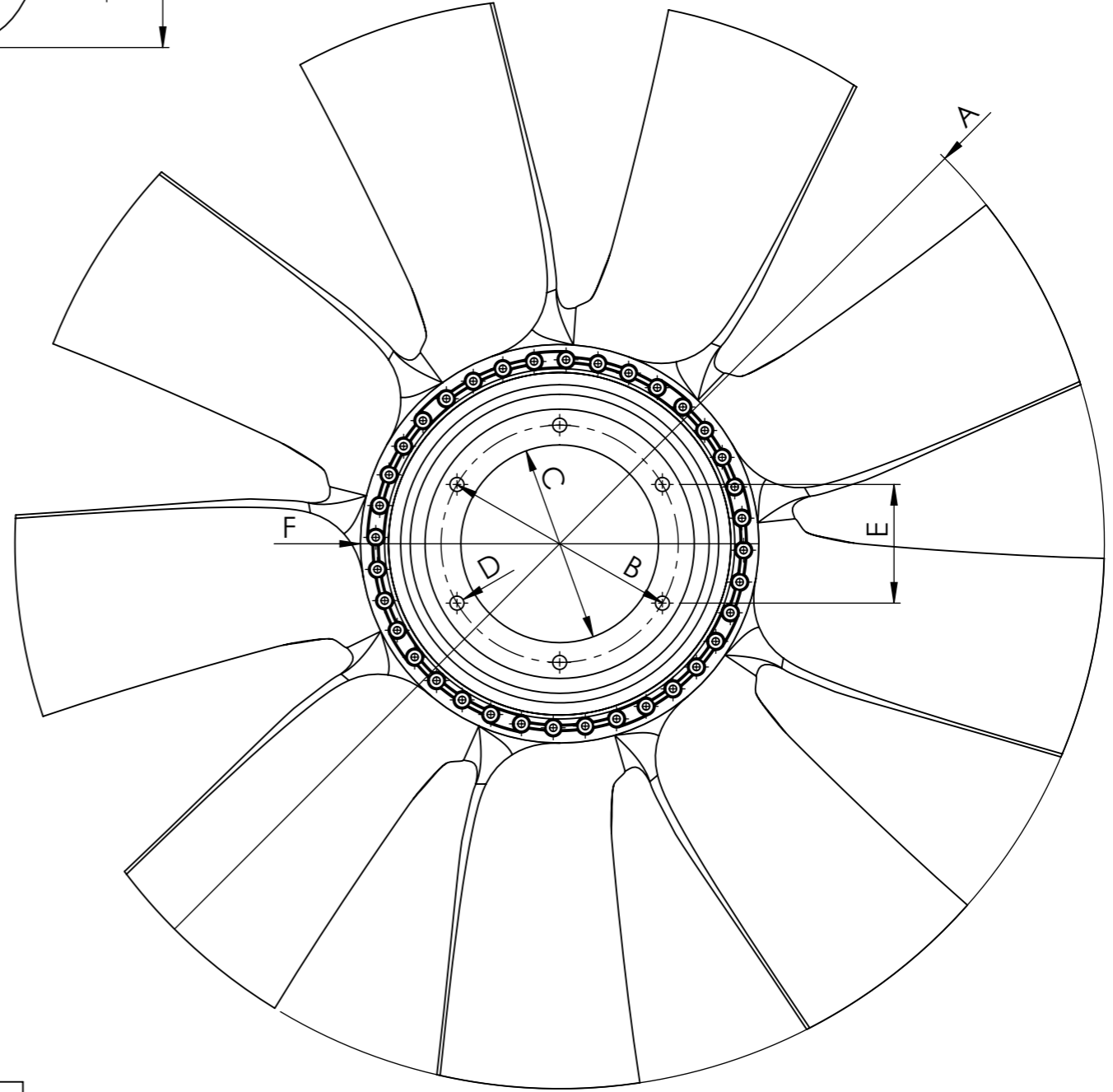
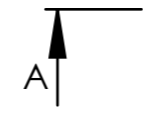
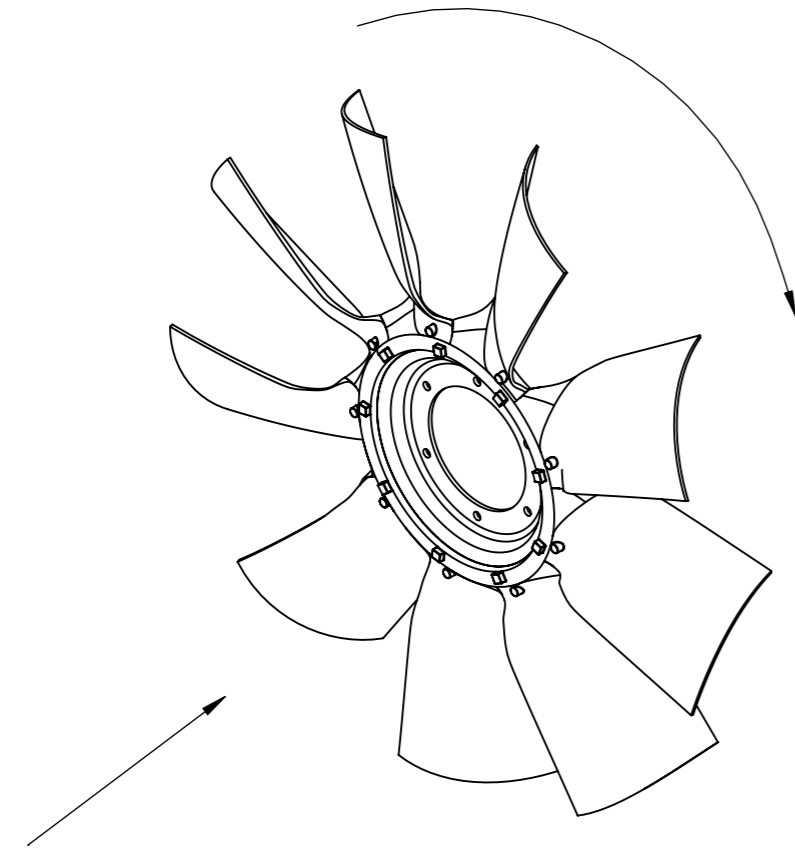
A



SECTION A-A

B

B



D

D

E

E


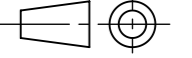
F

F

FAN WHEEL				
Dimensional values	Ref.n°	Value	Ref.n°	Value
	A	$\phi 700 \pm 3$ mm	G	25.5 ± 3 mm
	B	$\phi 152.4$ mm	H	34.5 ± 3 mm
	C	$\phi 127 +0.30$ mm	I	88.2 ± 3 mm
	D	6x $\phi 9$ mm		
	E	76.2 mm		
	F	$\phi 256 \pm 3$ mm		
	Number of blades	9	Configuration	CW

Modification n°	Modified	Date	Reason	Comments
3				
2				
1				

Drawn
16/02/21 A.G.
Checked
16/02/21 R.U.

	General Tolerance	ISO 2768 c-K	Assembly	Technical sheet
	Material		Part name	Fan wheel
	ID. Reference	8521622	Scale:	1/4
	Review:	0		Sheet 1/1

1 2 3 4 5 6 7 8