

1

2

3

4

A

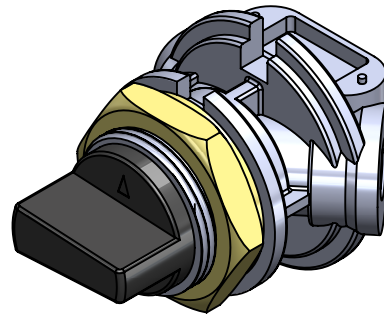
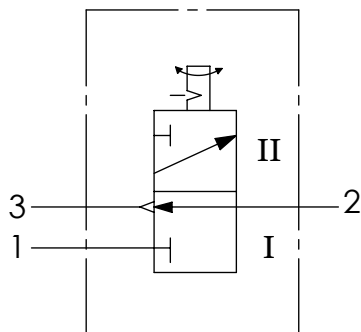
**Technical sheet / Datos técnicos:**

A

Part number adaptable to / Referencia adaptable a	4630360000
Working pressure / Presión de trabajo	max 10 bar
Permissible medium / Medio de funcionamiento	Air / Aire
Operating temperature range / Rango de temperatura	-40°C to / a +80°C
Weight / Peso	100 gr

B

B



C

C

D

D

Port / Conexión	Function / Función	Thread / Rosca
1	Supply / Alimentación	M10x1
2	Delivery / Salida	M10x1
3	Exhaust / Escape	-

E

E

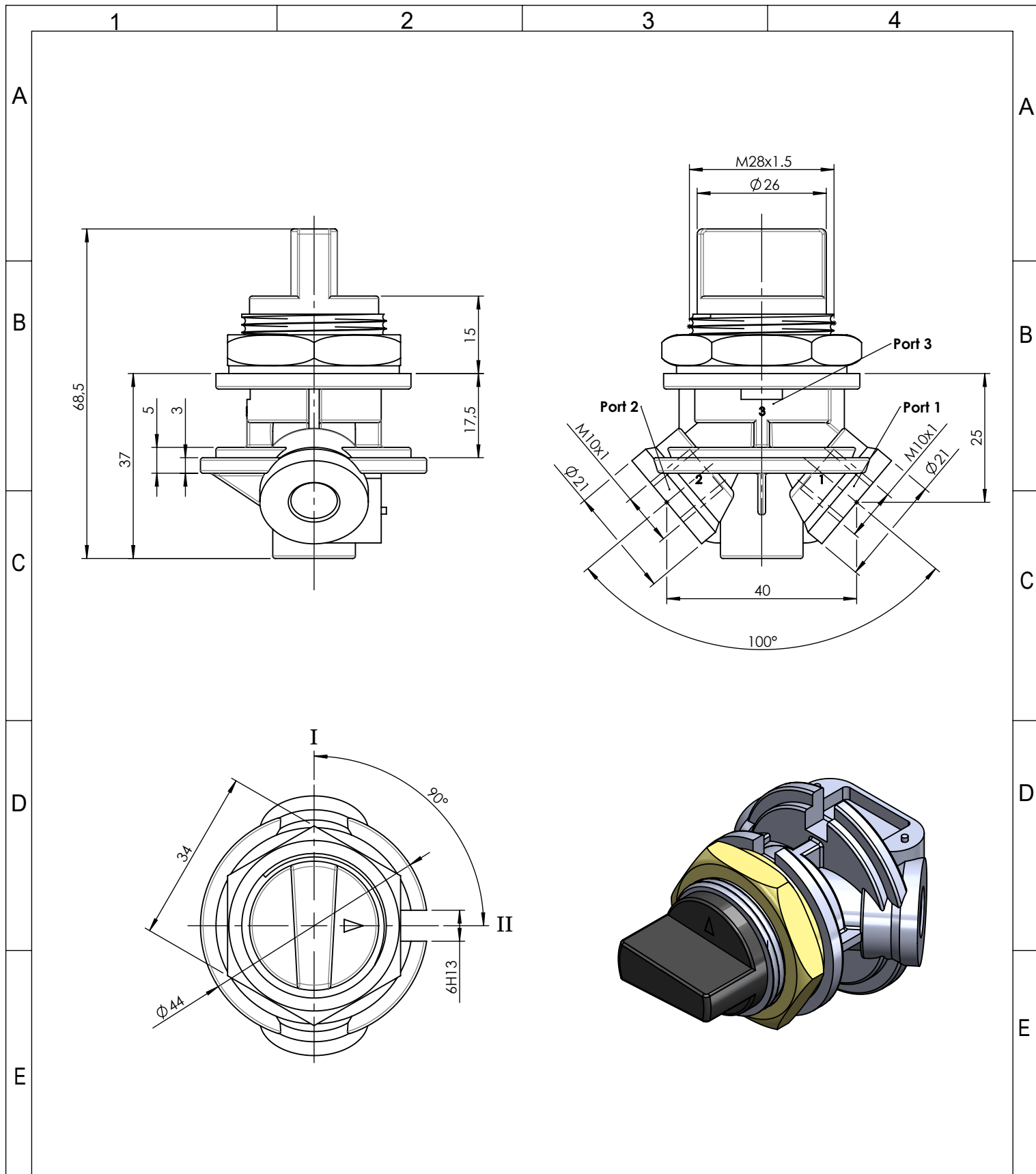
**Purpose / Propósito:** To ventilate and to purge operating cylinders. / Ventilar y purgar los cilindros operativos.

**Installation requirements / Requisitos para la instalación:** Optional. / Opcional.

F

F

Modification	4				Drawn			
	3				27/11/14 A.U.			
	2				Checked			
	1				27/11/14 A.L.			
	nº	Modified	Date	Reason	General Tolerance		Assembly	-
Comments					-	Part name	3/2 ways valve	
					Material	ID. Reference	2215200	
					-	Scale: -		Sheet 1/2
					-	Review: 0		



F	Modification	4				Drawn	
		3				27/11/14 A.U.	
		2				Checked	
		1				27/11/14 A.L.	
		n°	Modified	Date	Reason	General Tolerance	
	Comments				ISO 2768 c-K	Part name	3/2 ways valve
					Material	ID. Reference	2215200
						Scale: 1/1	
						Review: 0	
PG/18/02 rev.1 1		2		3		4	
							Sheet 2/2