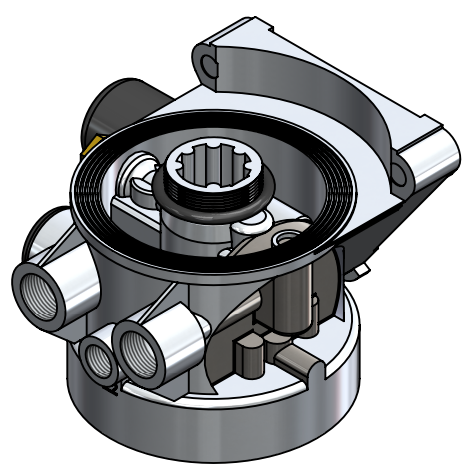
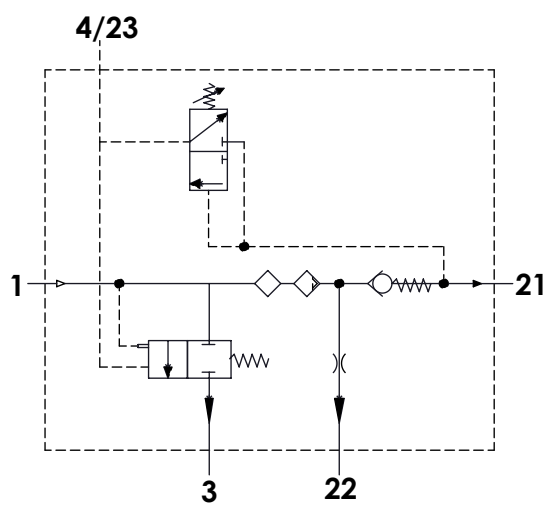


Technical Sheet / Datos Técnicos:

| | |
|---|------------------------|
| Part number adaptable to / Referencia adaptable a: | LA 8209 |
| Safety valve pressure / Presión válvula de seguridad: | 13 bar |
| Unloader / Regulador de presión: | Integrated / Integrado |
| Cut-out pressure / Presión de corte: | 10±0.3 bar |
| Heating / Calentador: | - |
| Permissible Medium / Medio de funcionamiento: | Air / Aire |
| Operating temperature range / Rango de temperatura: | - 40°C a / to +80°C |
| Cut-in temperature / Temperatura de cierre: | - |
| Cut-off temperature / Ajuste de la temperatura: | - |
| Weight / Peso: | 2295 gr |

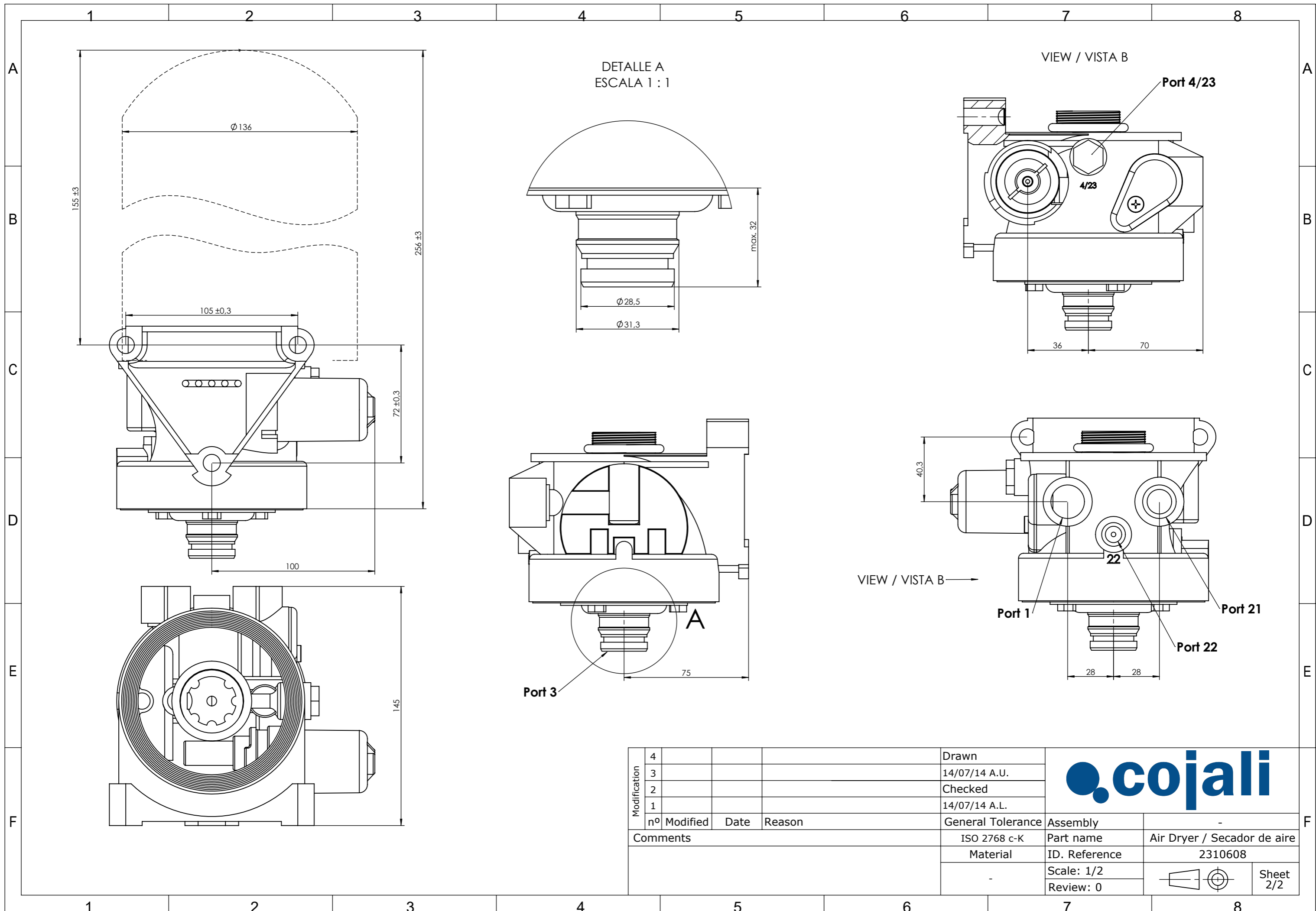



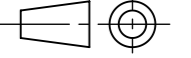
| Port / Conexión | Function / Función | Thread / Rosca |
|-----------------|--|-------------------|
| 1 | From the compressor / Proveniente del compresor | M22x1,5 |
| 21 | To the reservoirs / A los calderines | M22x1,5 VOSS |
| 22 | To the regenerated air reservoir / Al calderín de regeneración | M16x1,5 VOSS |
| 4/23 | Control port / Puerto de control | Closed / Taponada |
| 3 | Exhaust for compressed air / Escape de aire comprimido | - |
| 6 | Heating / Calentador | - |

Purpose / Finalidad: Drying of the compressed air supplied by the compressor. / Secado del aire comprimido procedente del compresor.

Installation / Instalación: Exhaust (3) must look down. / El escape de aire (3) debe estar orientado hacia abajo.

| | | | | | | | |
|--------------|----------|----------|------|--------|-------------------|---------------|-----------------------------|
| Modification | 4 | | | | Drawn | | |
| | 3 | | | | 14/07/14 A.U. | | |
| | 2 | | | | Checked | | |
| | 1 | | | | 14/07/14 A.L. | | |
| F | nº | Modified | Date | Reason | General Tolerance | Assembly | |
| | Comments | | | | - | Part name | Air Dryer / Secador de aire |
| | | | | | Material | ID. Reference | 2310608 |
| | | | | | - | Scale: - | |
| | | | | - | Review: 0 | Sheet 1/2 | |



| | | | | | | |
|--------------|-------------|------|--------|-------------------|---|---|
| Modification | 4 | | | Drawn |  | |
| | 3 | | | 14/07/14 A.U. | | |
| | 2 | | | Checked | | |
| | 1 | | | 14/07/14 A.L. | | |
| | nº Modified | Date | Reason | General Tolerance | Assembly | |
| Comments | | | | ISO 2768 c-K | Part name | Air Dryer / Secador de aire |
| | | | | Material | ID. Reference | 2310608 |
| | | | | | Scale: 1/2 |  |
| | | | | | Review: 0 | |