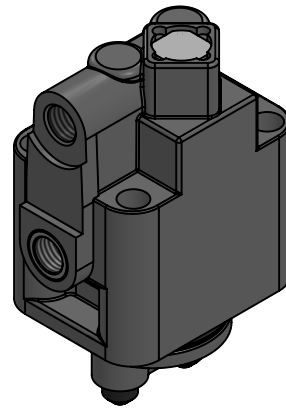
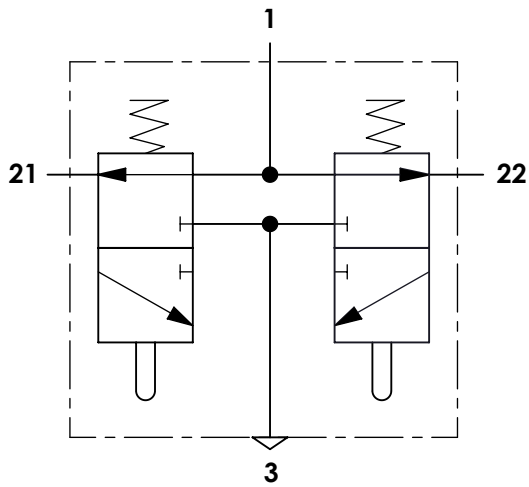


Technical sheet / Datos técnicos:

Part number adaptable to / Referencia adaptable a	AC285B
Operating pressure / Presión de trabajo	max. 10 bar
Permissible medium / Medio de funcionamiento	Air / Aire
Operating temperature range / Rango de temperatura	-20°C to / a +150°C
Weight / Peso	400 gr



Port / Conexión	Function / Función	Thread / Rosca
1	Supply / Alimentación	M12x1,5
21	Delivery / Salida	M12x1,5
22	Delivery / Salida	M12x1,5
3	Exhaust / Escape	-

Installation requirements / Requisitos para la instalación:

Mounting is accomplished with four screws M8. / El montaje se realiza mediante cuatro tornillos M8.

Modification	4				Drawn		
	3				26/08/15 A.U.		
	2				Checked		
	1				26/08/15 A.L.		
	nº	Modified	Date	Reason	General Tolerance		Assembly
Comments					-	Part name	Gearbox valve
					Material	ID. Reference	2316100
					-	Scale: -	
					-	Review: 0	

1

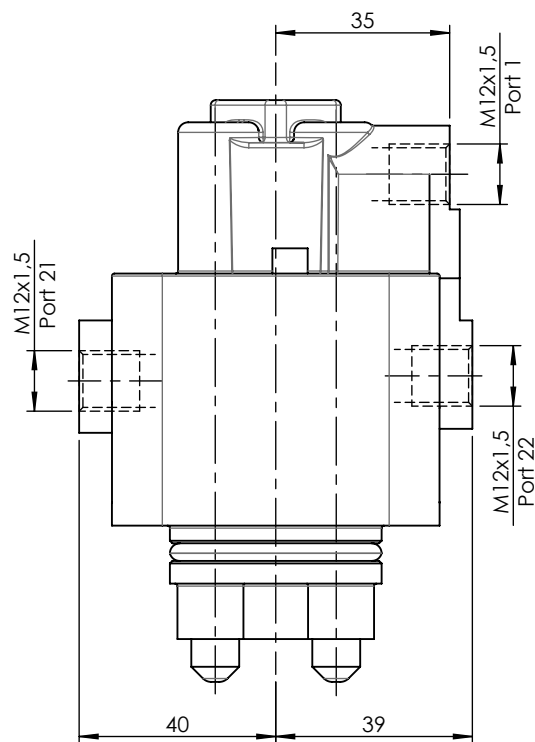
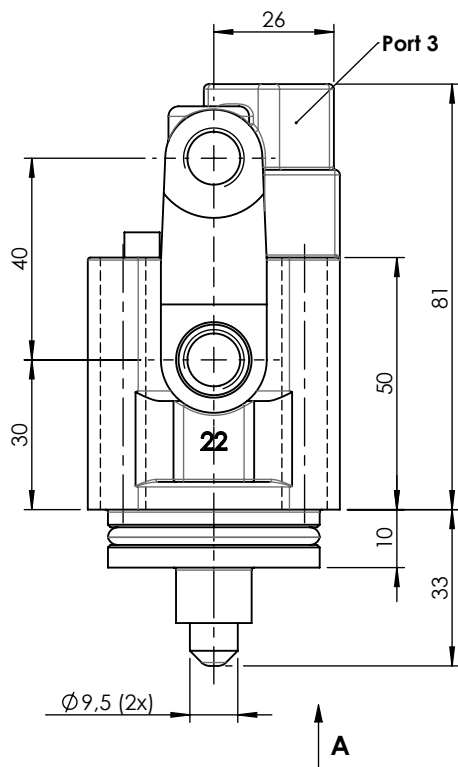
2

3

4

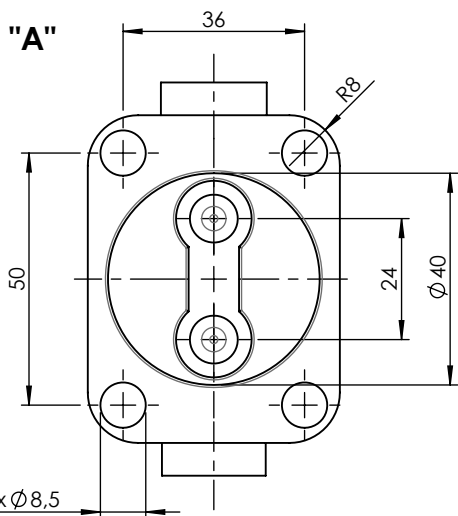
A

A



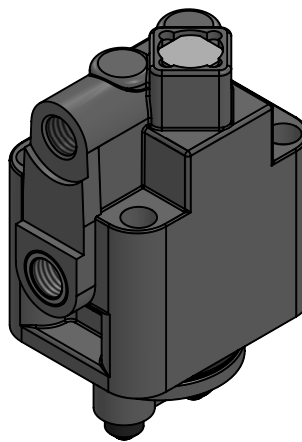
B

C




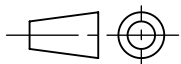
D

E



F

F

Modification	4				Drawn	
	3				26/08/15 A.U.	
	2				Checked	
	1				26/08/15 A.L.	
nº	Modified	Date	Reason	General Tolerance	Assembly	-
Comments				ISO 2768 c-K	Part name	Gearbox valve
				Material	ID. Reference	2316100
				-	Scale: 2/3	
				-	Review: 0	