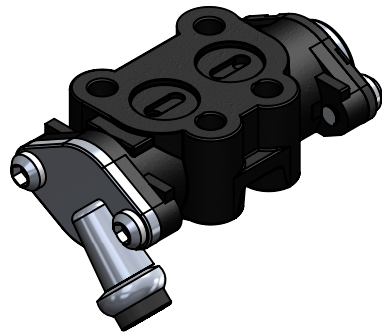
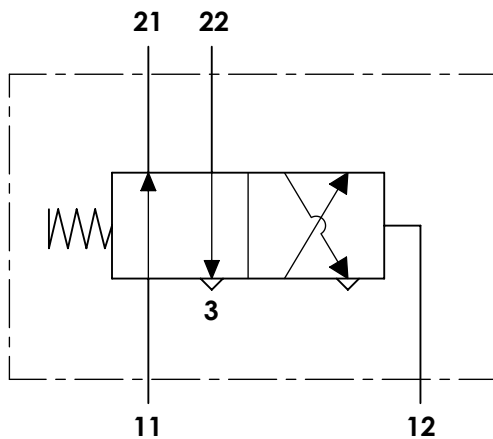


Technical sheet / Datos técnicos:

Part number adaptable to / Referencia adaptable a	20775173
Operating pressure / Presión de trabajo	max. 10 bar
Permissible medium / Medio de funcionamiento	Air / Aire
Operating temperature range / Rango de temperatura	-40°C to / a +80°C
Weight / Peso	200 gr

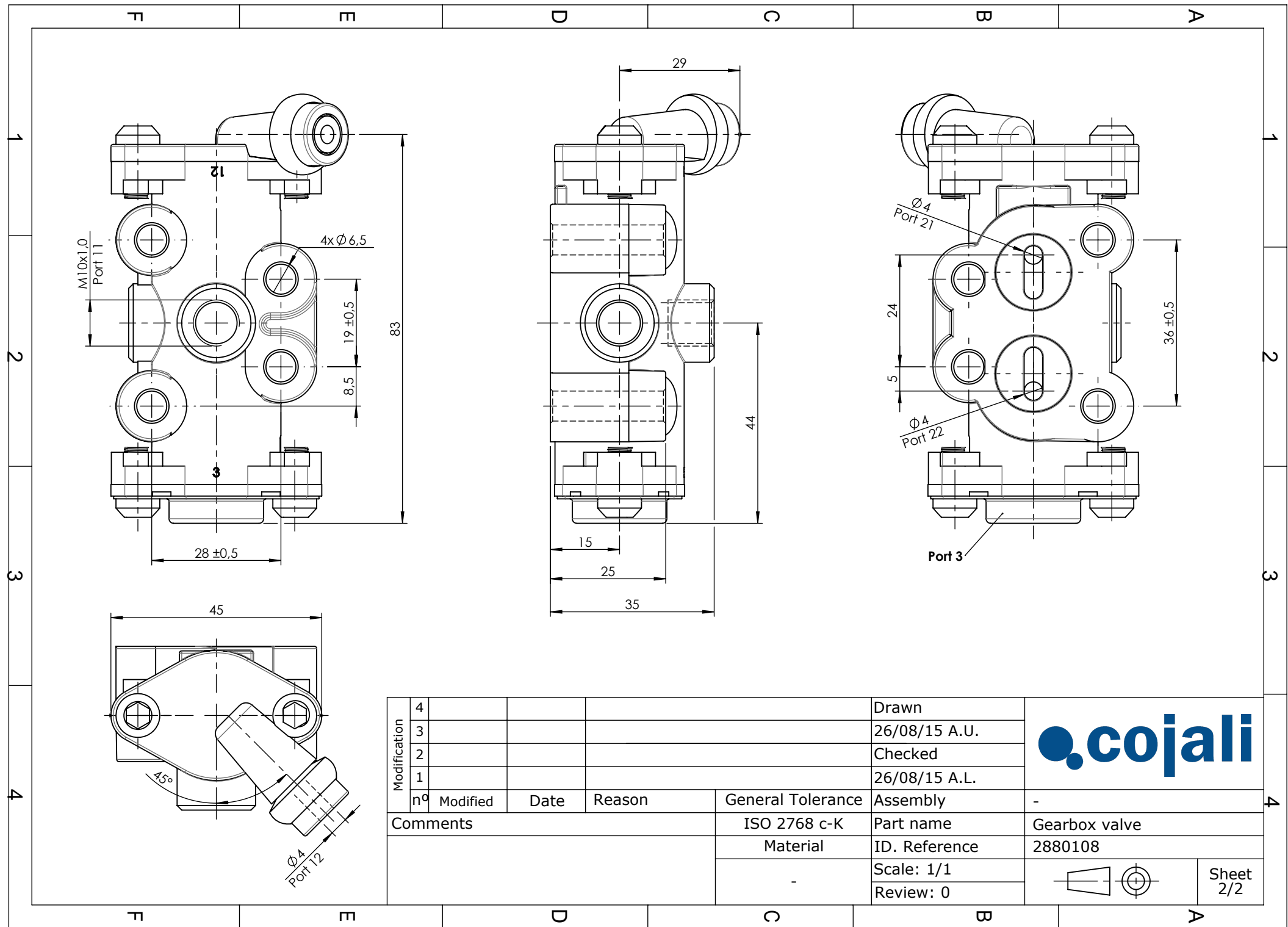



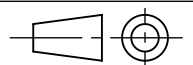
Port / Conexión	Function / Función	Thread / Rosca
11	Supply / Alimentación	M10x1,0
12	Supply / Alimentación	Quick connection - Tube 4 mm / Conexión rápida - tubo 4 mm
21	Delivery / Salida	Ø4 mm
22	Delivery / Salida	Ø4 mm
3	Exhaust / Escape	-

Installation requirements / Requisitos para la instalación:

Mounting is accomplished with four screws M6. / El montaje se realiza mediante cuatro tornillos M6.

Modification	4				Drawn		
	3				26/08/15 A.U.		
	2				Checked		
	1				26/08/15 A.L.		
F	nº	Modified	Date	Reason	General Tolerance	Assembly	-
	Comments				-	Part name	Gearbox valve
					Material	ID. Reference	2880115
					Scale: -		Sheet 1/2
					Review: 0		



Modification	4				Drawn		
	3				26/08/15 A.U.		
	2				Checked		
	1				26/08/15 A.L.		
	nº	Modified	Date	Reason	General Tolerance	Assembly	
Comments					ISO 2768 c-K	Part name	Gearbox valve
					Material	ID. Reference	2880108
						Scale: 1/1	
						Review: 0	