

1

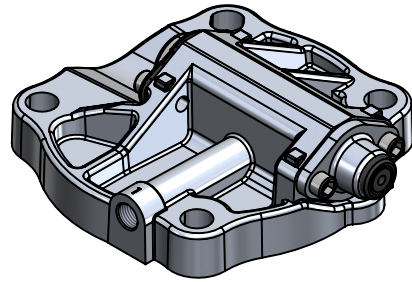
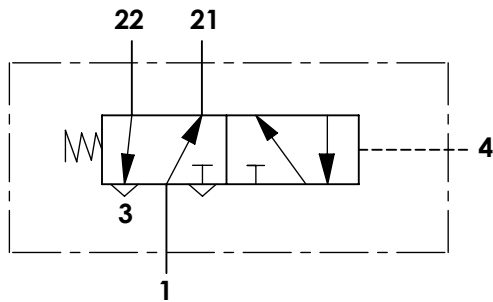
2

3

4

## A Technical sheet / Datos técnicos:

Part number adaptable to / Referencia adaptable a	1653070
Operating pressure / Presión de trabajo	max. 10 bar
Permissible medium / Medio de funcionamiento	Air / Aire
Operating temperature range / Rango de temperatura	-20°C to / a +150°C
Weight / Peso	600 gr

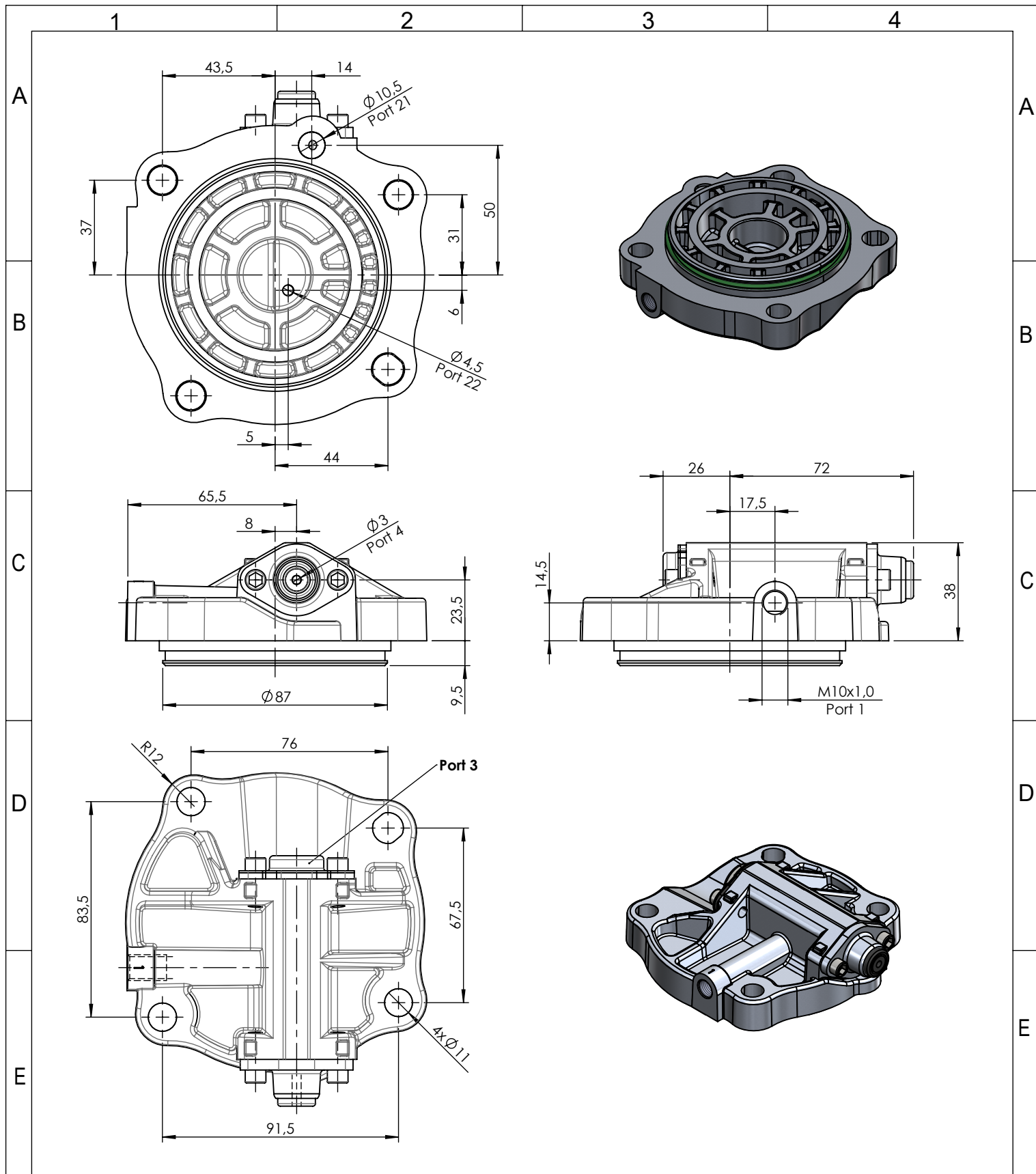



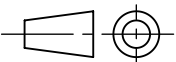
Port / Conexión	Function / Función	Thread / Rosca
1	Supply / Alimentación	M10x1,0
21	Delivery / Salida	Ø10,5 mm
22	Delivery / Salida	Ø4,5 mm
4	Control / Pilotaje	Quick connection - Tube 3 mm / Conexión rápida - Tubo 3 mm
3	Exhaust / Escape	-

## E Installation requirements / Requisitos para la instalación:

Mounting is accomplished with four screws M10. / El montaje se realiza mediante cuatro tornillos M10.

F	Modification	4				Drawn	
		3				05/05/20 A.U.	
		2				Checked	
		1				05/05/20 A.L.	
		nº	Modified	Date	Reason	General Tolerance	
Comments					-	Part name	Gearbox valve
					Material	ID. Reference	2880221
					-	Scale: -	
					-	Review: 0	



F	Modification	4				Drawn		F
		3				05/05/20 A.U.		
		2				Checked		
		1				05/05/20 A.L.		
		nº	Modified	Date	Reason	General Tolerance		
Comments					ISO 2768 c-K	Part name	Gearbox valve	
					Material	ID. Reference	2880221	
					-	Scale: 1/2		Sheet 2/2
					-	Review: 0		