

1

2

3

4

A

**Technical sheet / Datos técnicos:**

A

Part number adaptable to / Referencia adaptable a	KN28600
Operating pressure / Presión de trabajo	max. 9 bar
Predominance / Predominancia	-
Permissible medium / Medio de funcionamiento	Air / Aire
Operating temperature range / Rango de temperatura	-40°C to / a +80°C
Weight / Peso	1300 gr

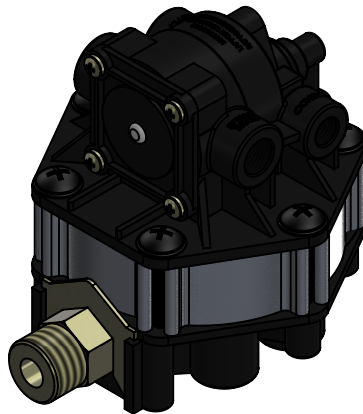
B

B

Port / Conexión	Function / Función	Thread / Rosca
<b>SUPPLY</b>	Supply / Alimentación	3/8"
<b>RESERVOIR</b>	Reservoir / Calderín	3/4"
<b>CONTROL</b>	Control / Pilotaje	1/4"
<b>SPRING BRAKE</b>	Spring brake / Freno parking	2x 3/8"
<b>DELIVERY</b>	Delivery / Salida	4x 3/8"
<b>EXHAUST</b>	Exhaust / Escape	-

C

C



D

D

**Purpose / Propósito:** To fill your trailer system reservoir while simultaneously filling the spring brakes to assure you have service brake capability. Designed to assure service brake capability before spring brakes release.

E

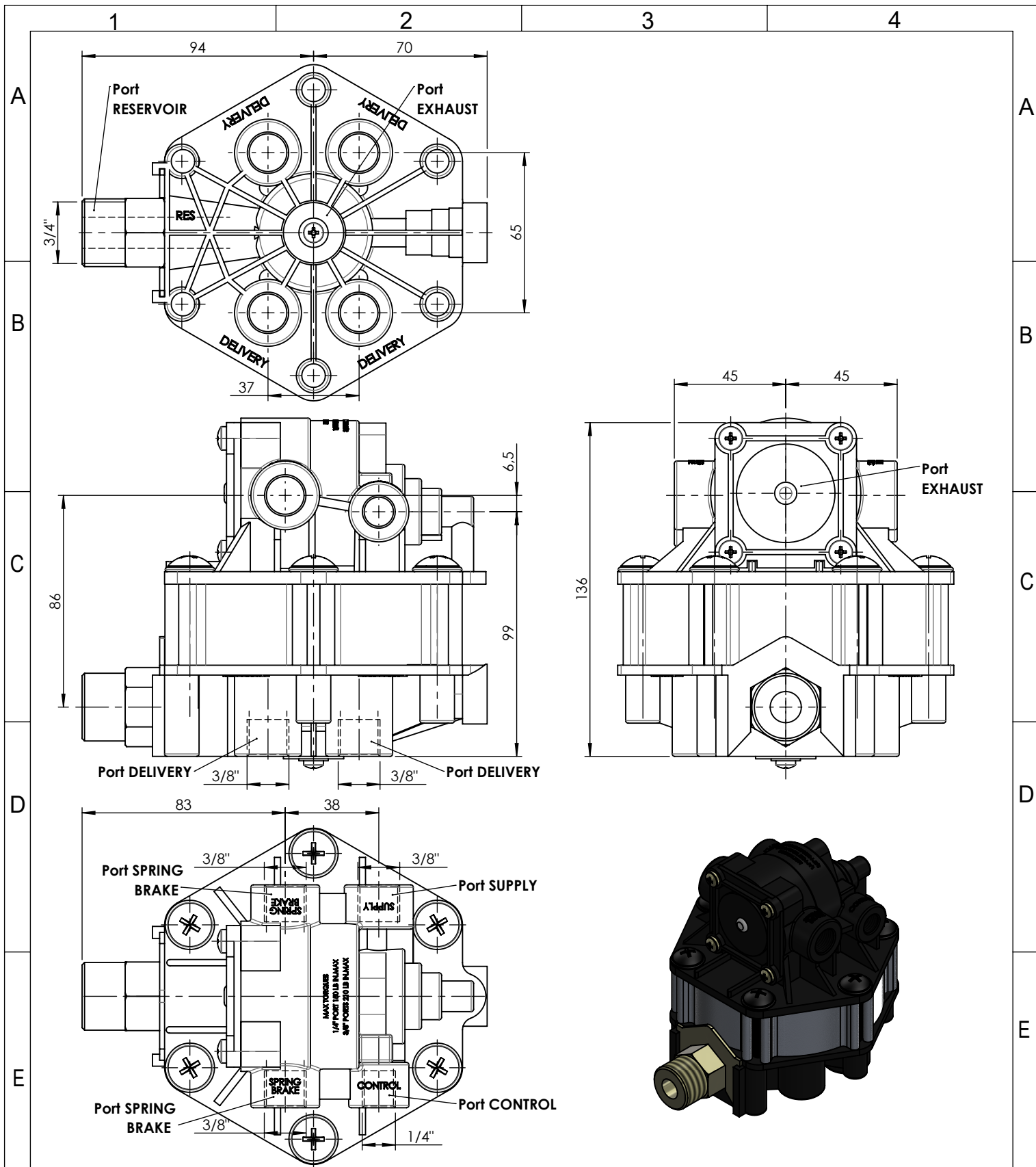
E

**Installation requirements / Requisitos para la instalación:** The valve must be installed with lower exhaust pointing downwards. / La válvula debe montarse con el escape inferior apuntando hacia abajo.

F

F

Modification	4				Drawn		
	3				19/11/20 J.S.		
	2				Checked		
	1				19/11/20 O.V.		
	nº	Modified	Date	Reason	General Tolerance		Assembly
Comments					-	Part name	Relay valve
					Material	ID. Reference	2991103
					-	Scale: -	
					-	Review: 0	



Modification	4				Drawn		
	3				19/11/20 J.S.		
	2				Checked		
	1				19/11/20 O.V.		
F	n°	Modified	Date	Reason	General Tolerance	Assembly	
	Comments				ISO 2768 c-K	Part name	Relay valve
					Material	ID. Reference	2991103
					-	Scale: 1/2	
					Review: 0	Sheet 2/2	