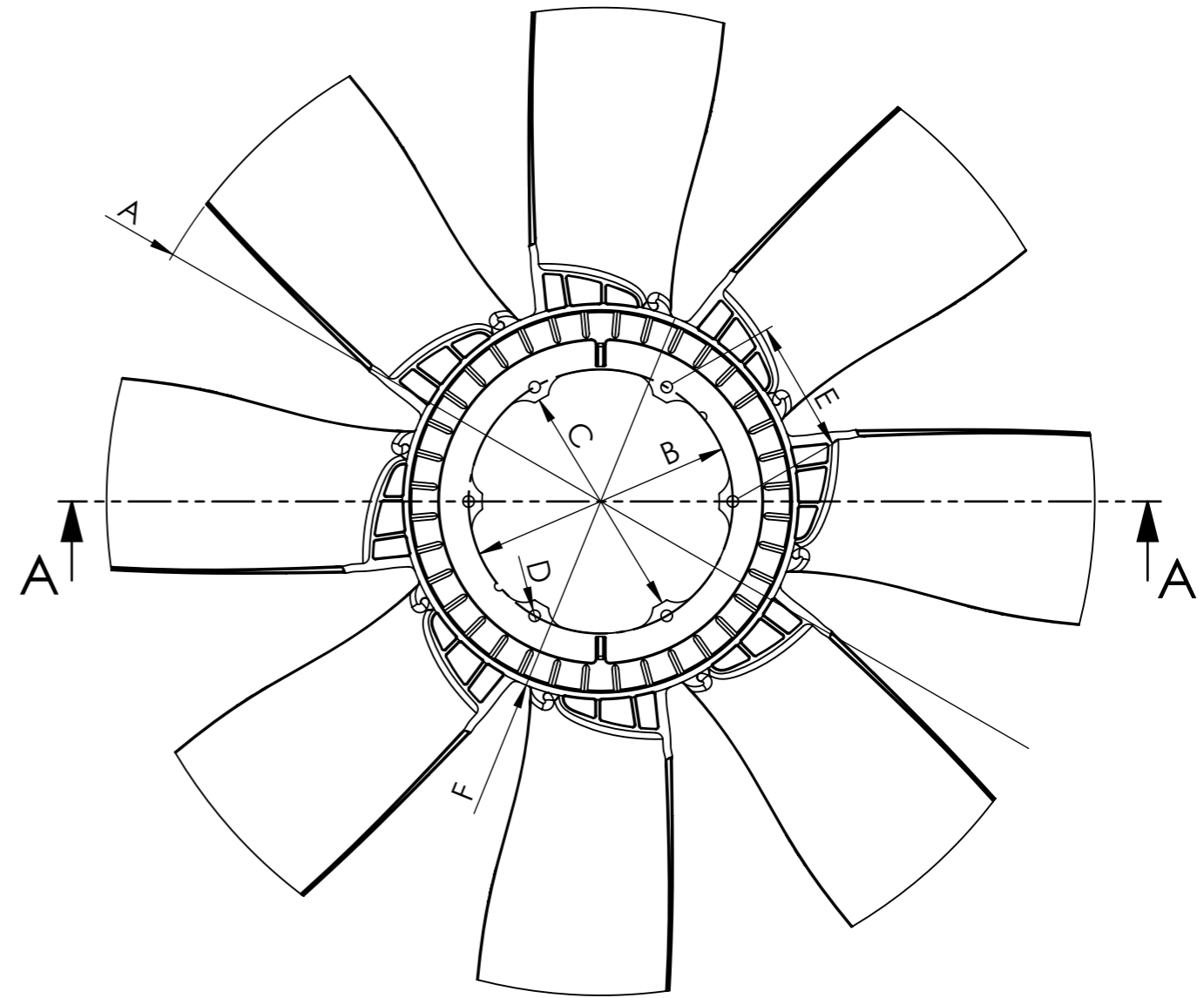
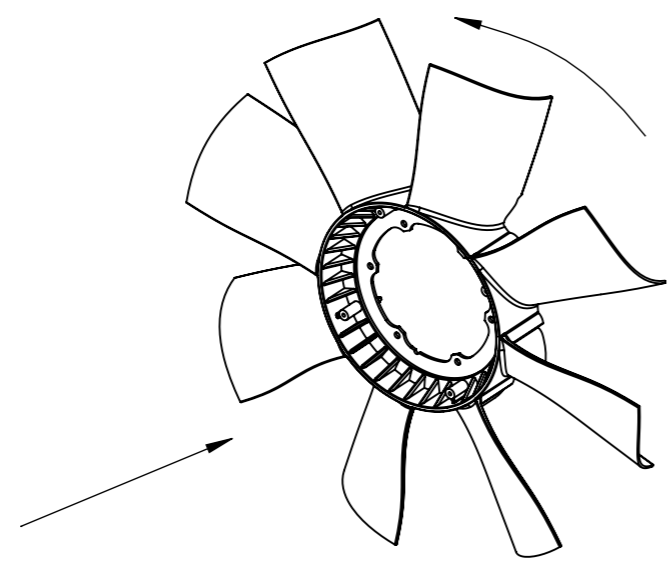

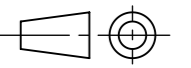


SECTION A-A



Dimensional values	FAN WHEEL			
	Ref.nº	Value	Ref.nº	Value
	A	$\phi 750 \pm 3$ mm	G	84.3 ± 3 mm
	B	$\phi 200$ mm	H	51.8 ± 3 mm
	C	$\phi 180 +0.3-0$ mm	I	99.8 ± 3 mm
	D	6x $\phi 8.7$ mm		
	E	100.2 mm		
	F	$\phi 302 \pm 3$ mm		
	Number of blades		8	Configuration
				CCW

Modification nº	Modified	Date	Reason	Comments	Drawn
					4
3					Checked
2					08/06/22 R.Urda
1					

General Tolerance		Assembly		
ISO 2768 c-K		Technical sheet		
Material		Part name		
		Fan wheel		
		ID. Reference		
		7077402		
		Scale: 1/5		
		Review: 0		
				Sheet 1/1