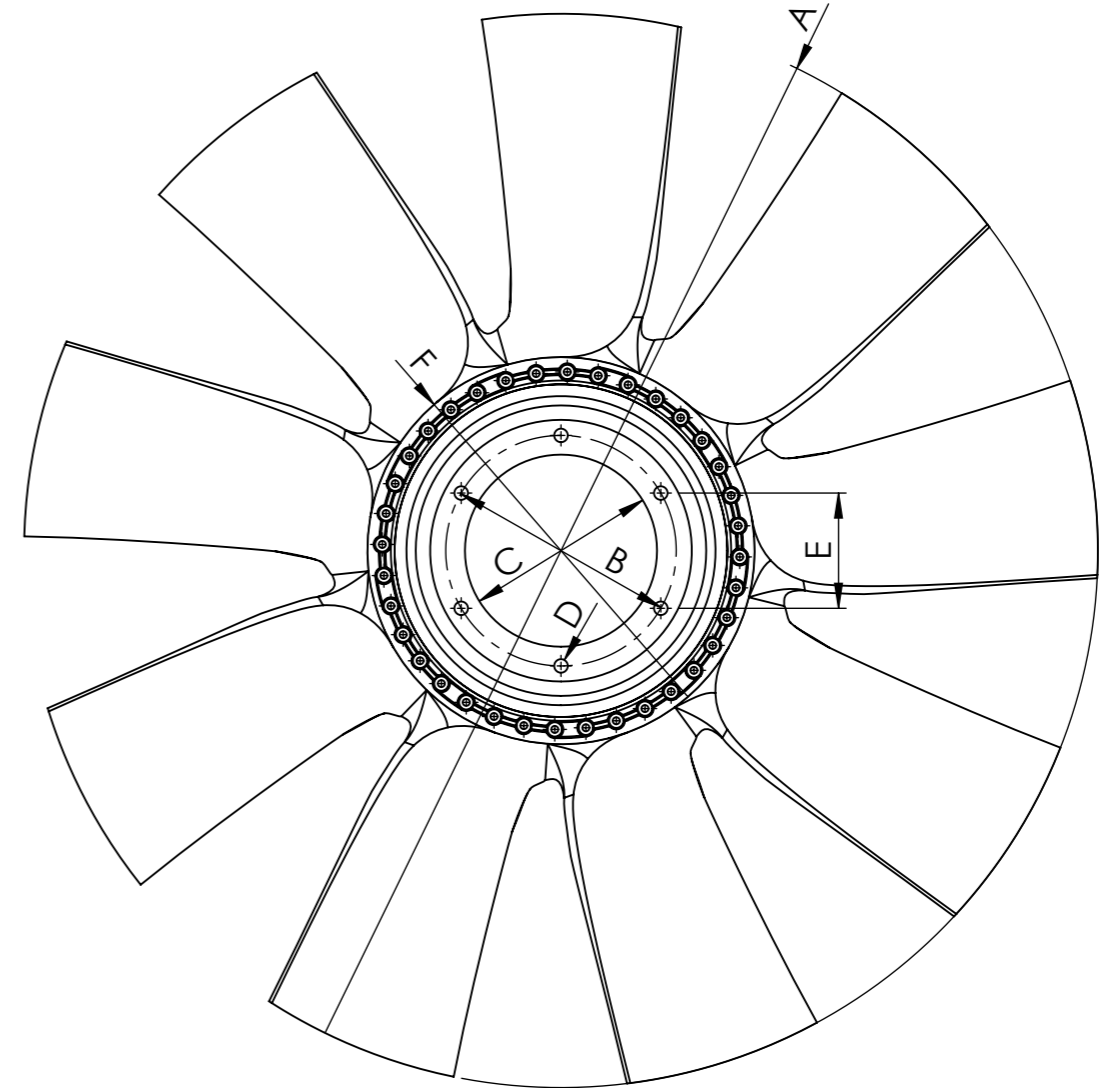
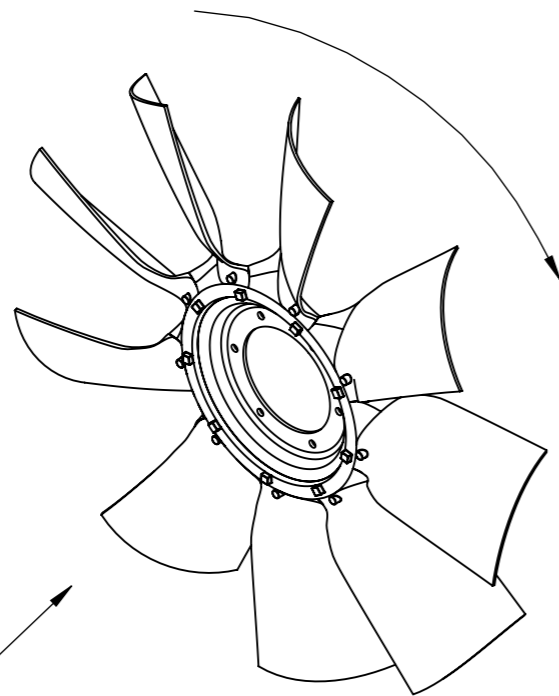


SECTION A-A



FAN WHEEL			
Ref.n°	Value	Ref.n°	Value
A	$\phi 710 \pm 3$ mm	G	25.5 ± 3 mm
B	$\phi 152.4$ mm	H	34.5 ± 3 mm
C	$\phi 127 +0.30$ mm	I	88.2 ± 3 mm
D	6x $\phi 9$ mm		
E	76.2 mm		
F	$\phi 256 \pm 3$ mm		
Number of blades		9	Configuration
			CW

Modification n°	Modified	Date	Reason	Comments
3				
2				
1				

Drawn
26/05/20 A.G.
Checked
26/05/20 R.U.

General Tolerance
ISO 2768 c-K
Material

Assembly
Part name Fan wheel
ID. Reference 7207105
Scale: 1/5
Review: 0

