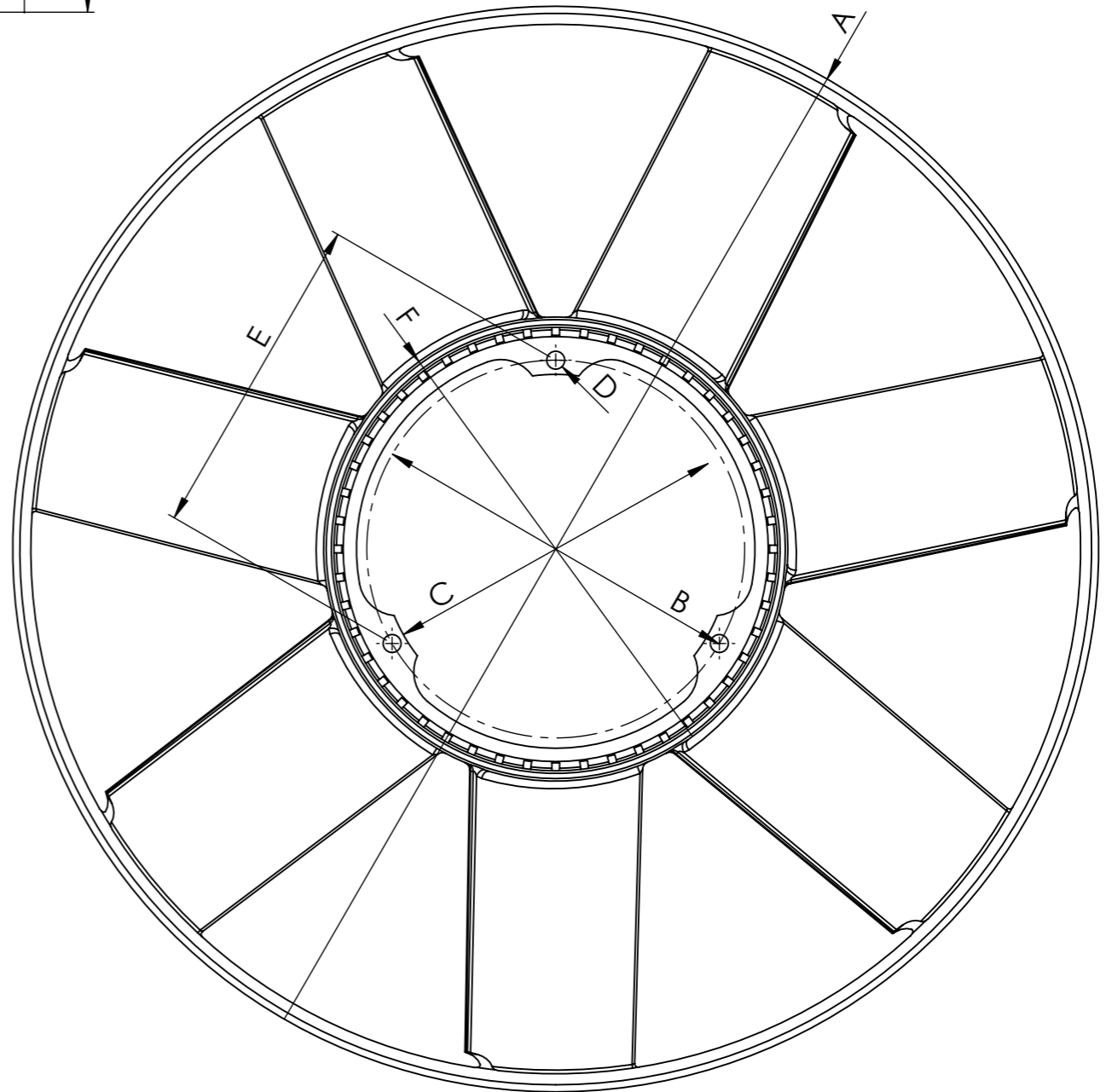
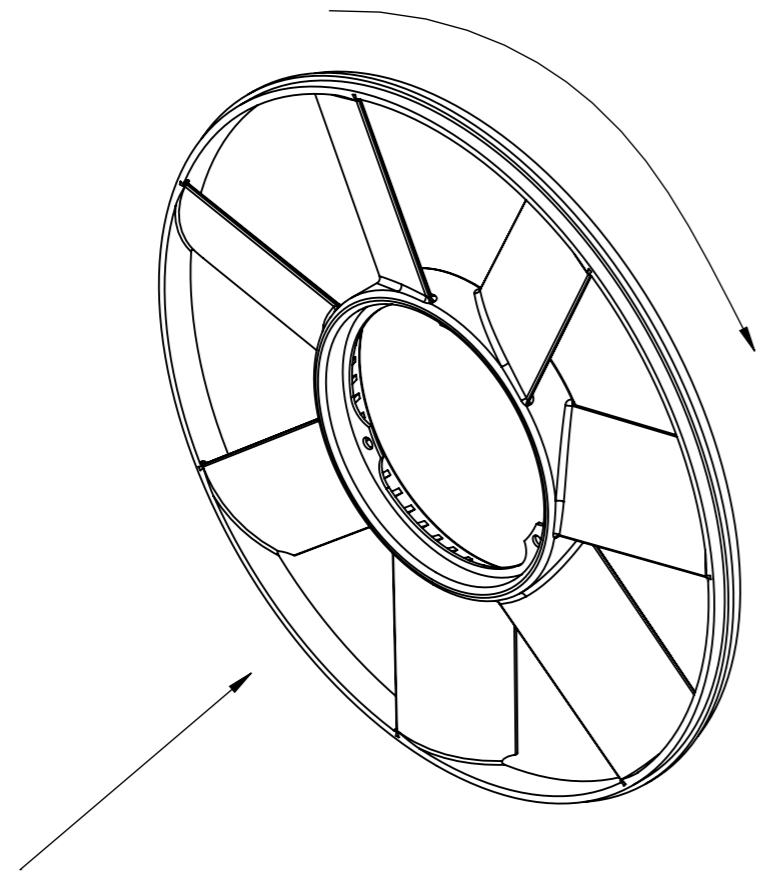


SECTION A-A



FAN WHEEL			
Ref.n°	Value	Ref.n°	Value
A	$\phi 420 \pm 3$ mm	G	32.5 ± 3 mm
B	$\phi 146.3$ mm	H	17.3 ± 3 mm
C	$\phi 136 +0.30$ mm	I	32.5 ± 3 mm
D	3x $\phi 7$ mm	J	$\phi 415 \pm 3$ mm
E	126.7 mm		
F	$\phi 178 \pm 3$ mm		
Number of blades		7	Configuration
			CW

Modification n°	Modified	Date	Reason	Comments
3				
2				
1				

Drawn	16/06/20 A.G.
Checked	16/06/20 R.U.
General Tolerance	ISO 2768 c-K
Material	

Assembly	Technical sheet
Part name	Fan wheel
ID. Reference	8111606
Scale: 2/5	
Review: 0	
Sheet 1/1	