

1

2

3

4

A

Technical Data/ Datos Técnicos:

A

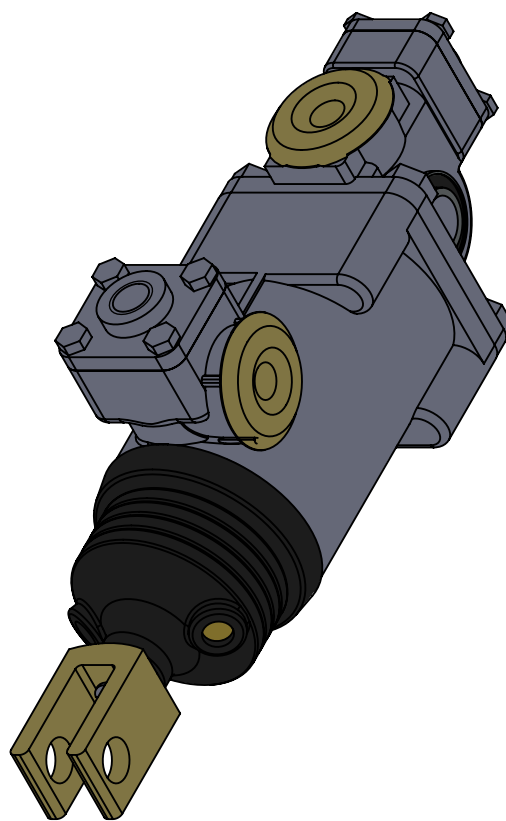
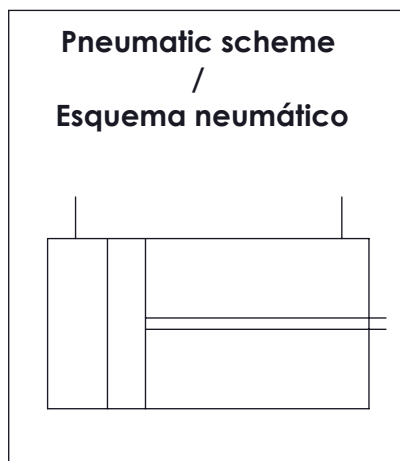
Part number adaptable to/ Referencia adaptable a:	4220100120
Hydraulic fluid/ Fluido hidráulico:	Air/Aire
Thermal range/ Rango de temperatura:	-40 °C to/ a 80 °C
Supply pressure/ Presión de alimentación:	max. 10 bar
Stroke/ Carrera:	65 mm
Weight/ Peso:	1200 gr

B

B

C

C



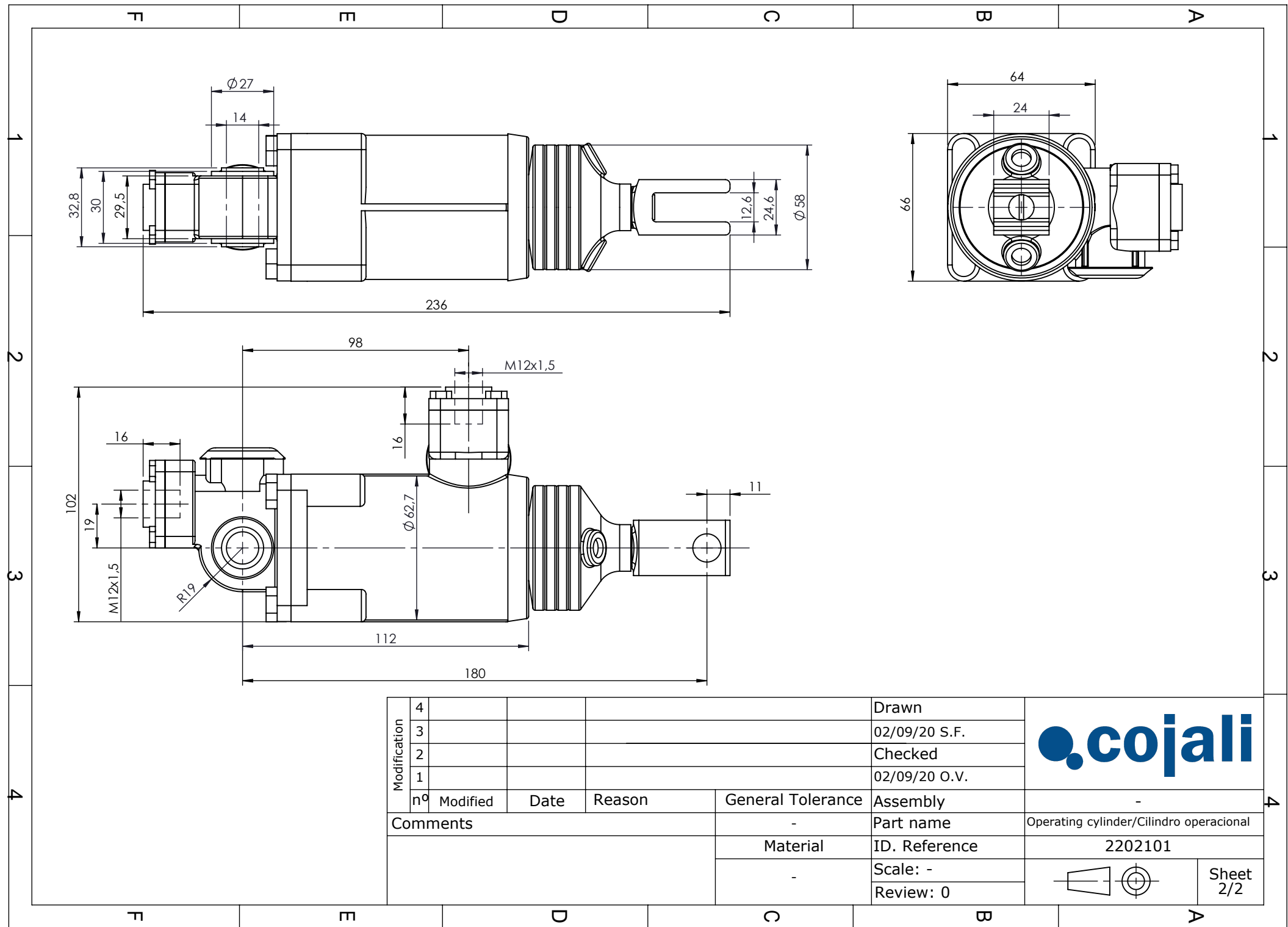
D

D

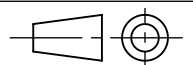
E

E

F	Modification	4				Drawn	
		3				02/09/20 S.F.	
		2				Checked	
		1				02/09/20 O.V.	
		nº	Modified	Date	Reason	General Tolerance	
Comments					-	Part name	Operating cylinder/Cilindro operacional
					Material	ID. Reference	2202101
					-	Scale: -	
					-	Review: 0	



Modification	4				Drawn	
	3				02/09/20 S.F.	
	2				Checked	
	1				02/09/20 O.V.	
	nº	Modified	Date	Reason	General Tolerance	
Comments					Assembly	-
					Part name	Operating cylinder/Cilindro operacional
					Material	ID. Reference
						2202101
					Scale: -	
					Review: 0	



Sheet
2/2