

1

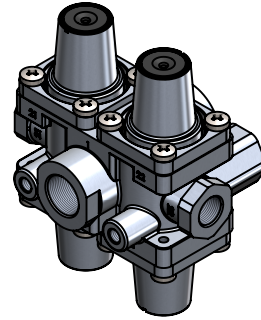
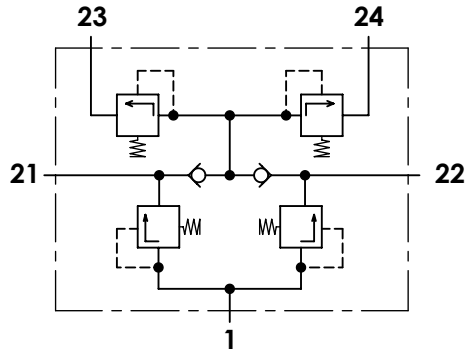
2

3

4

**Technical sheet / Datos técnicos:**

|  |                    |
|--|--------------------|
| Part number adaptable to / Referencia adaptable a  | 9347020020         |
| Operating pressure / Presión de trabajo            | max. 20 bar        |
| Permissible medium / Medio de funcionamiento       | Air / Aire         |
| Operating temperature range / Rango de temperatura | -40°C to / a +90°C |
| Weight / Peso                                      | 1000 gr            |



| Port / Conexión | Function / Función  | Thread / Rosca |
|-----------------|---|----------------|
| 1               | Supply / Alimentación   | M22x1,5        |
| 21              | Delivery to service brake circuit 1 / Salida al circuito del freno de servicio 1                      | M16x1,5        |
| 22              | Delivery to service brake circuit 2 / Salida al circuito del freno de servicio 2                      | M16x1,5        |
| 23              | Delivery to parking brake circuit and trailer / Salida al circuito del trailer y del freno de parking | M16x1,5        |
| 24              | Delivery to auxiliary circuit / Salida al circuito de auxiliares                                      | M16x1,5        |

| Circuit / Circuito  | 1                                   | 2  | 3                                | 4                                |
|---|-------------------------------------|----|----------------------------------|----------------------------------|
| Port / Conexión   | 21                                  | 22 | 23                               | 24                               |
| Opening pressure / Presión de apertura (bar)                | 6,3 <sup>+0,4</sup> <sub>-0,3</sub> |    | ≥ 6,0                            |                                  |
| Closing pressure dynamic / Presión de cierre dinámica (bar) | ≥ 5,5                               |    | 4,2 <sup>0</sup> <sub>-0,3</sub> | 5,8 <sup>0</sup> <sub>-0,3</sub> |

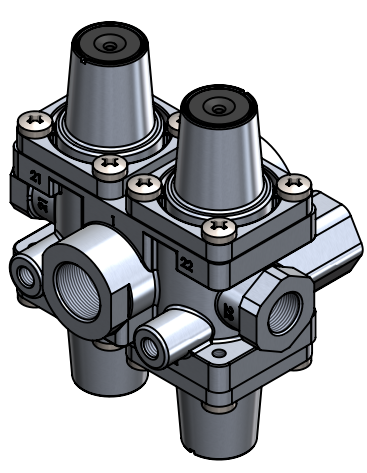
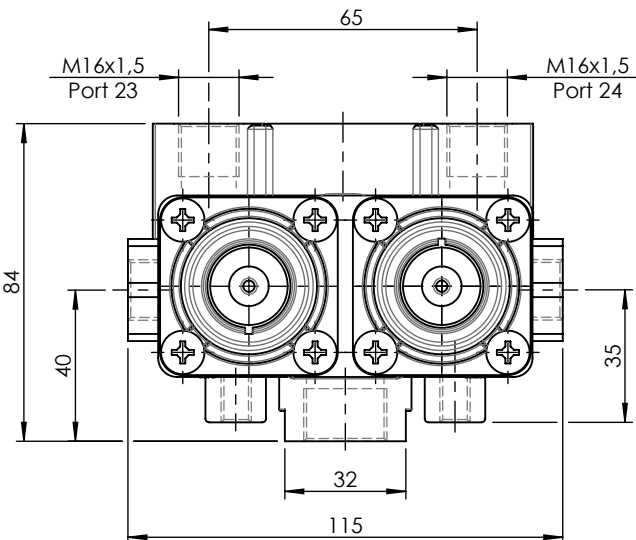
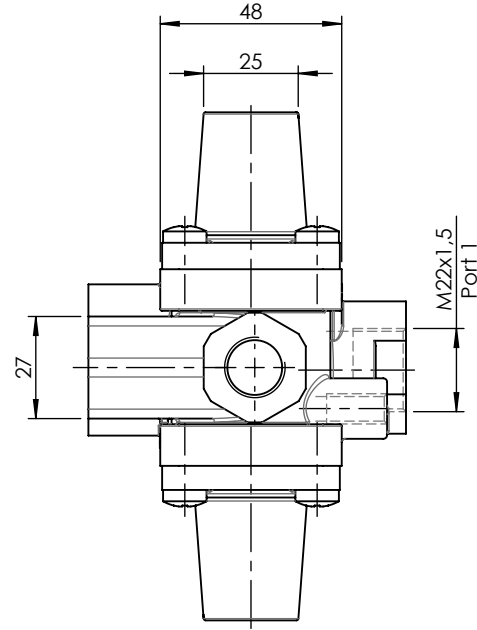
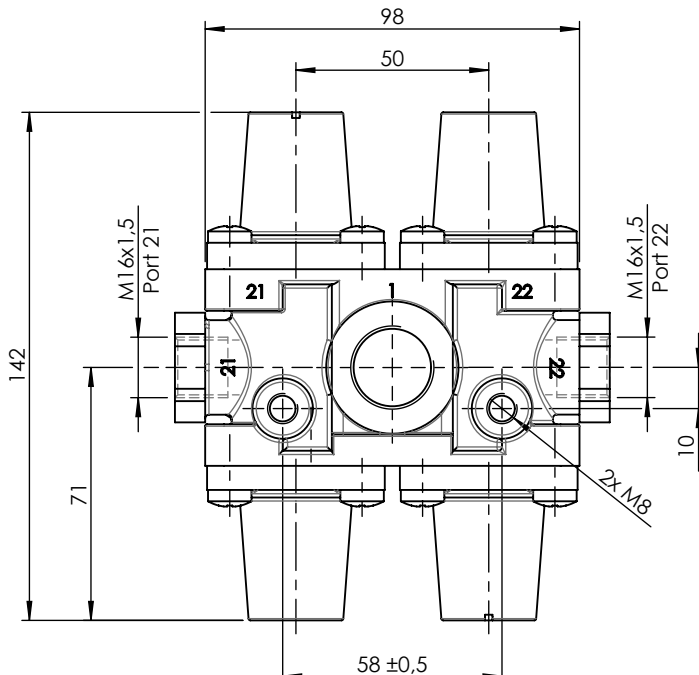
**Purpose / Propósito:**


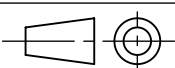
To distribute clean and dry air from the air dryer to different pneumatic circuits. Ensure pressure in brake circuits in case of leaks or breakage in any circuit. / Distribuir el aire limpio y seco proveniente del secador a los diferentes circuitos neumáticos. Asegurar la presión en los circuitos de freno en caso de fuga o rotura en cualquier circuito.

**E Installation requirements / Requisitos para la instalación:**

The protection valve may be installed into the piping in any position. Mounting is accomplished by using two screws M8. / La válvula de protección puede instalarse en las tuberías en cualquier posición. El montaje se realiza mediante dos tornillos M8.

|              |    |          |          |                        |                   |                          |           |
|--------------|----|----------|----------|------------------------|-------------------|--------------------------|-----------|
| Modification | 4  |          |          |                        | Drawn             |                          |           |
|              | 3  |          |          |                        | 05/09/13 O.V.     |                          |           |
|              | 2  |          |          |                        | Checked           |                          |           |
|              | 1  | J.S.     | 02/06/21 | Change of sheet format | 05/09/13 A.L.     |                          |           |
|              | nº | Modified | Date     | Reason                 | General Tolerance |                          | Assembly  |
| Comments     |    |          |          |                        | Part name         | Protection circuit valve |           |
|              |    |          |          |                        | Material          | ID. Reference            | 2222202   |
|              |    |          |          |                        | Scale: -          |                          | Sheet 1/2 |
|              |    |          |          | Review: 1              |                   |                          |           |



|   |                    |   |      |                   |                        |   |   |   |
|---|--------------------|---|------|-------------------|------------------------|---|---|---|
| F | Modification<br>n° | 4 |      |                   |                        | Drawn   |  | F |
|   |                    | 3 |      |                   |                        | 05/09/13 O.V.   |   |   |
|   |                    | 2 |      |                   |                        | Checked   |   |   |
|   |                    | 1 | J.S. | 02/06/21          | Change of sheet format | 05/09/13 A.L.   |   |   |
|   |                    |   |      |                   |                        |   |   |   |
|   | Comments           |   |      | General Tolerance | Assembly               | -   |   |   |
|   |                    |   |      | ISO 2768 c-K      | Part name              | Protection circuit valve  |   |   |
|   |                    |   |      | Material          | ID. Reference          | 2222202   |   |   |
|   |                    |   |      | -                 | Scale: 1/2             |  | Sheet<br>2/2  |   |
|   |                    |   |      |                   | Review: 1              |   |   |   |