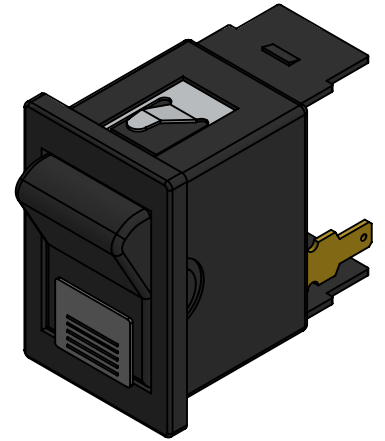
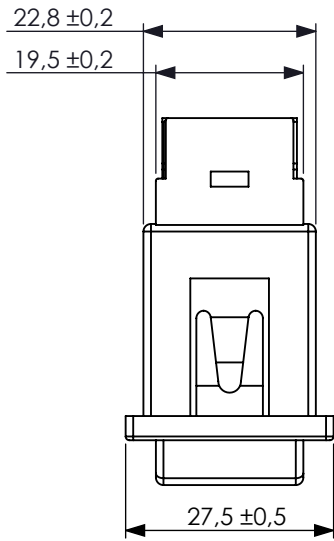
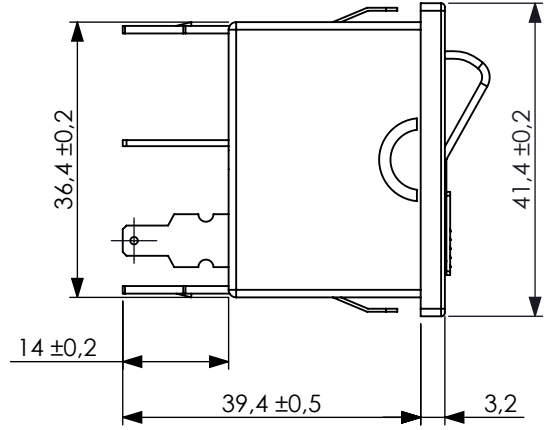
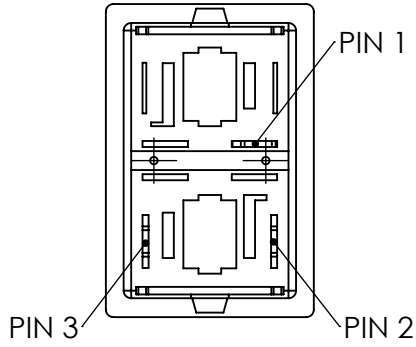
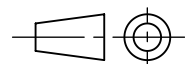


**Technical data/ Datos técnicos:**

According to/ En referencia a:	290951
Operating temperature range/Rango de temperatura:	-40°C a/to 80°C
Weight/ Peso:	19,5 gr



F	Modification	4				Drawn
		3				15/07/20 S.F.
		2				Checked
		1				15/07/20 E.L.
		nº	Modified	Date	Reason	General Tolerance
Comments					ISO 2768 c-K	Part name
					Material	ID. Reference
					-	Scale: 1/1
					-	Review: 0



Sheet  
1/1