

1

2

3

4

A

Technical data/ Datos técnicos:

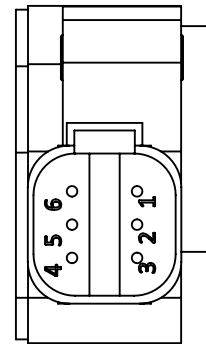
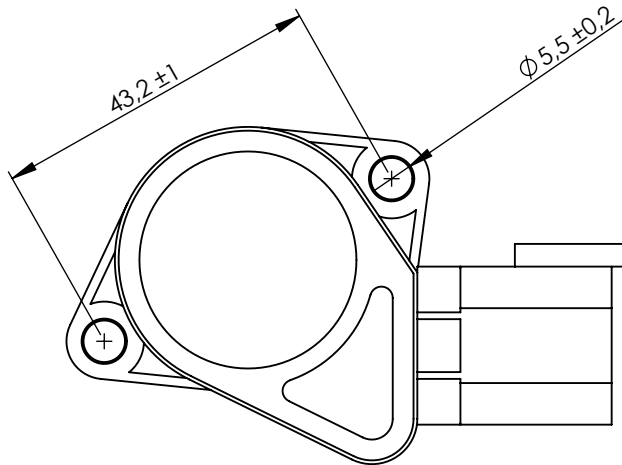
A

According to/En referencia a:	7482492421
Operating temperature range/ Rango de temperatura:	-40°C a/to 80°C
Weight/Peso:	38,5 gr

PIN 1-2	Switch 1/Interruptor 1
PIN 2-3	Switch 2/Interruptor 2
PIN 4	GND/Masa
PIN 5	Signal/Señal
PIN 6	+5V

B

B



C

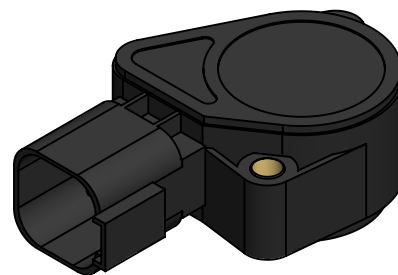
C

D

D

E

E



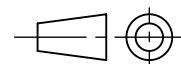
F

F

Modification	4				Drawn	
	3				31/08/20 S.F.	
	2				Checked	
	1				31/08/20 E.L.	
	nº	Modified	Date	Reason	General Tolerance	Assembly
Comments					ISO 2768 c-K	Part name
					Material	ID. Reference
					-	Scale: 1/1
						Review: 0

Accelerator position sensor/
Sensor de posición de acelerador

2260372

Sheet
1/1