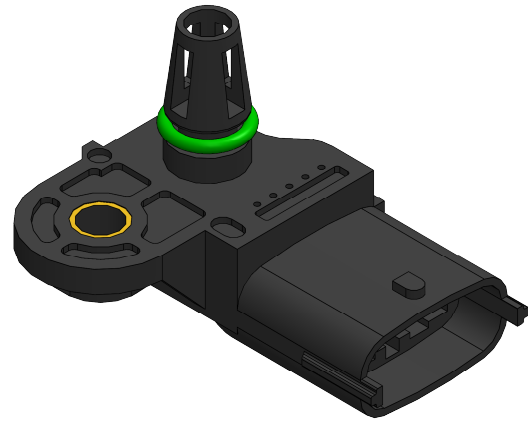
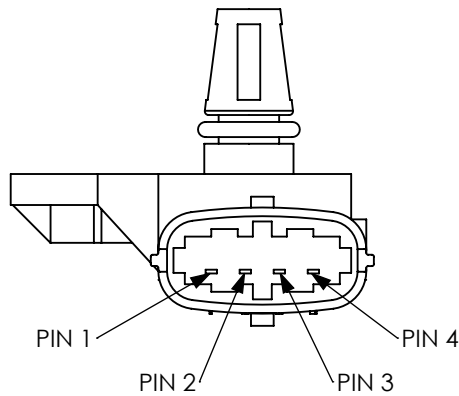
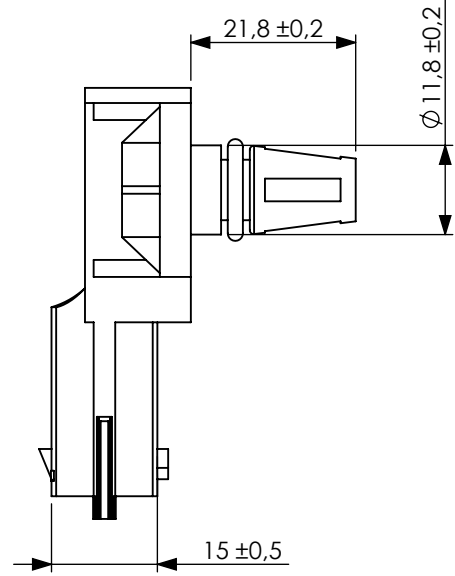
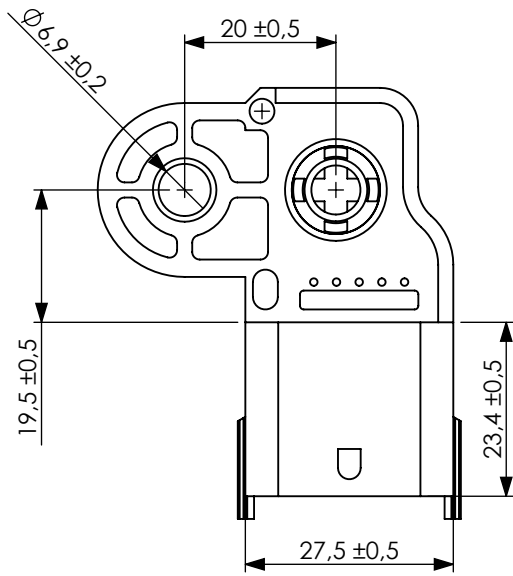


Technical Sheet / Datos técnicos:

Reference adaptable to / Referencia adaptable a :	20524936
Operating temperature range / Rango de temperatura:	- 40°C a/to 80°C
Weight / Peso:	26 gr

PIN 1	GND/MASA
PIN 2	TEMPERATURE SIGNAL/ SEÑAL DE TEMPERATURA
PIN 3	+5V
PIN 4	PRESSURE SIGNAL/ SEÑAL DE PRESIÓN



Modification	4				Drawn			
	3				24/07/20 S.F.			
	2				Checked			
	1				24/07/20 E.L.			
	nº	Modified	Date	Reason	General Tolerance	Assembly		
Comments					ISO 2768 c-K	Part name	Boost pressure sensor/Sensor MAP	
					Material	ID. Reference	2260386	
					-	Scale: 1/1		Sheet 1/1
					-	Review: 0		

