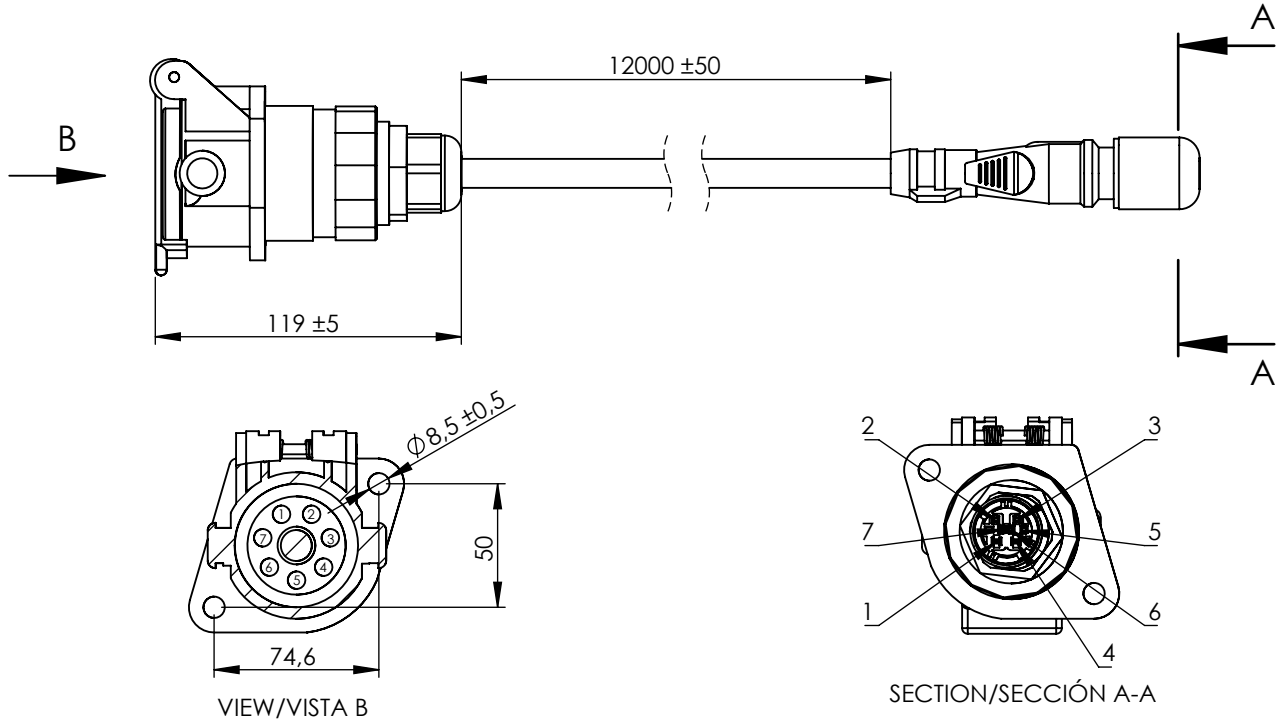


**Technical data/ Datos técnicos:**

According to/En referencia a:	4491731200
Operating temperature range/ Rango de temperatura:	-40°C a/to 80°C
Weight/Peso:	3218 gr



F	Modification				Drawn	
	4				26/08/20 S.F.	
	3				Checked	
	2				26/08/20 E.L.	
	1					
nº	Modified	Date	Reason	General Tolerance	Assembly	-
Comments				ISO 2768 c-K	Part name	Power supply cable/Cable alimentación
				Material	ID. Reference	2261200
				-	Scale: 1/3	
				-	Review: 0	