

1

2

3

4

A

Technical sheet / Datos técnicos:

A

Part number adaptable to / Referencia adaptable a	19974
Weight / Peso	10 gr

B

B

C

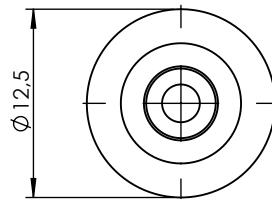
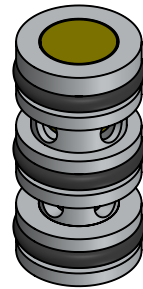
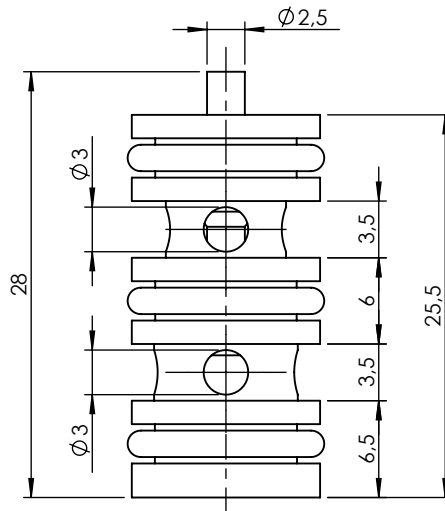
C

D

D

E

E



F

F

Modification	4				Drawn			
	3				26/08/19 A.I.			
	2				Checked			
	1				26/08/19 O.V.			
	nº	Modified	Date	Reason	General Tolerance		Assembly	-
Comments					ISO 2768 c-K	Part name	Transmission valve	
					Material	ID. Reference	2991167	
					-	Scale: 2/1		Sheet 1/1
					-	Review: 0		