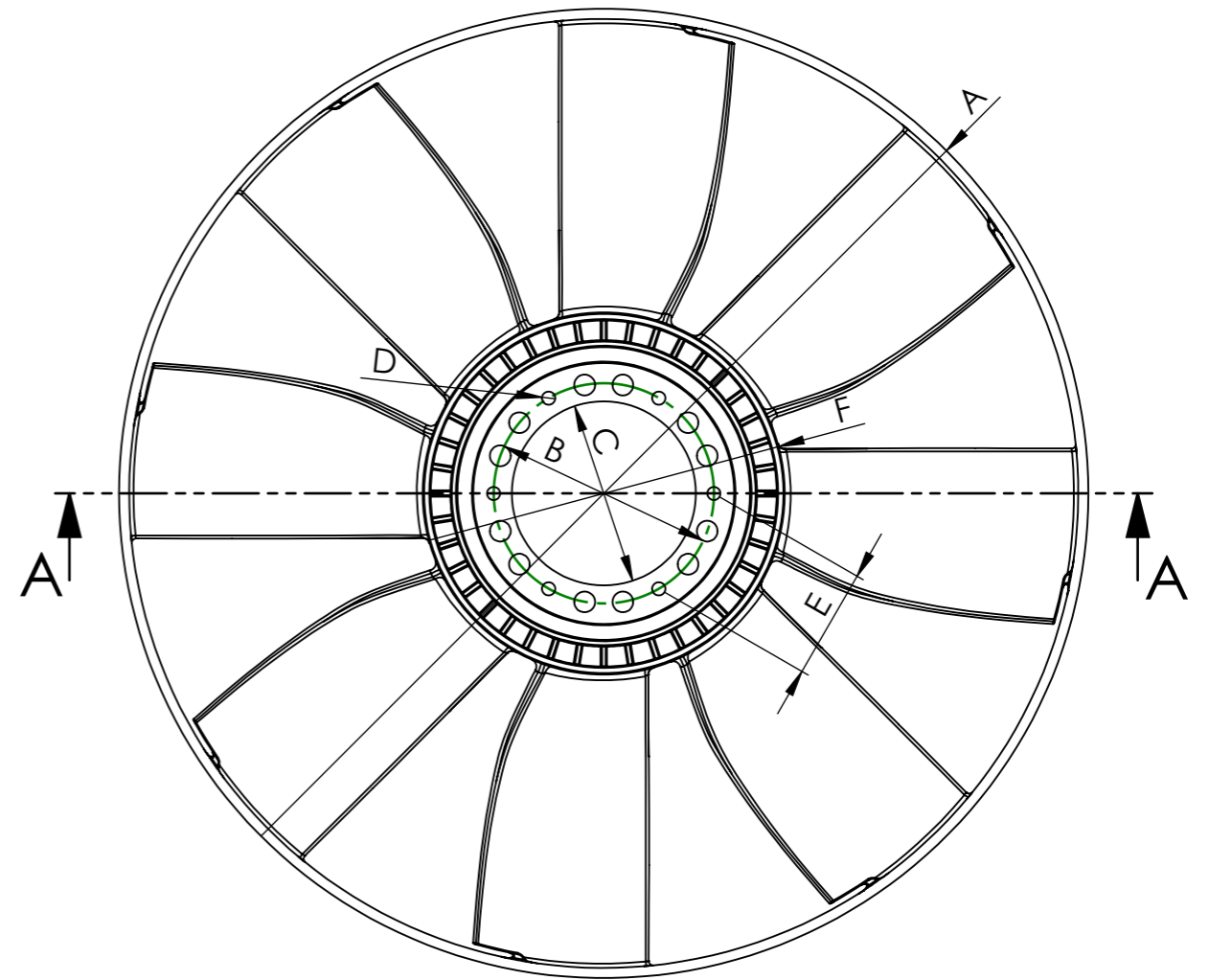
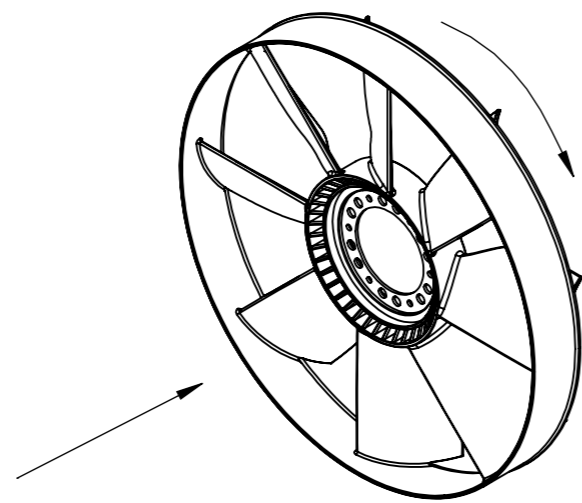


SECTION A-A



Dimensional values	FAN WHEEL			
	Ref.n°	Value	Ref.n°	Value
	A	$\phi 656 \pm 3$ mm	G	59 ± 3 mm
	B	$\phi 152.4$ mm	H	52.5 ± 3 mm
	C	$\phi 127 +0.30$ mm	I	112.6 ± 3 mm
	D	6x $\phi 9$ mm	J	$\phi 648 \pm 3$ mm
	E	76.2 mm		
	F	$\phi 250 \pm 3$ mm		
	Number of blades		8	Configuration
				CW

Modification n°	Modified	Date	Reason	Comments	Drawn
					4
3					Checked
2					08/04/24 R.U.
1					

General Tolerance		ISO 2768 c-K	Assembly	Technical sheet
Material			Part name	Fan wheel
ID. Reference		7037144	ID. Reference	
Scale: 1/5			Review: 00	
Sheet 1/1				

