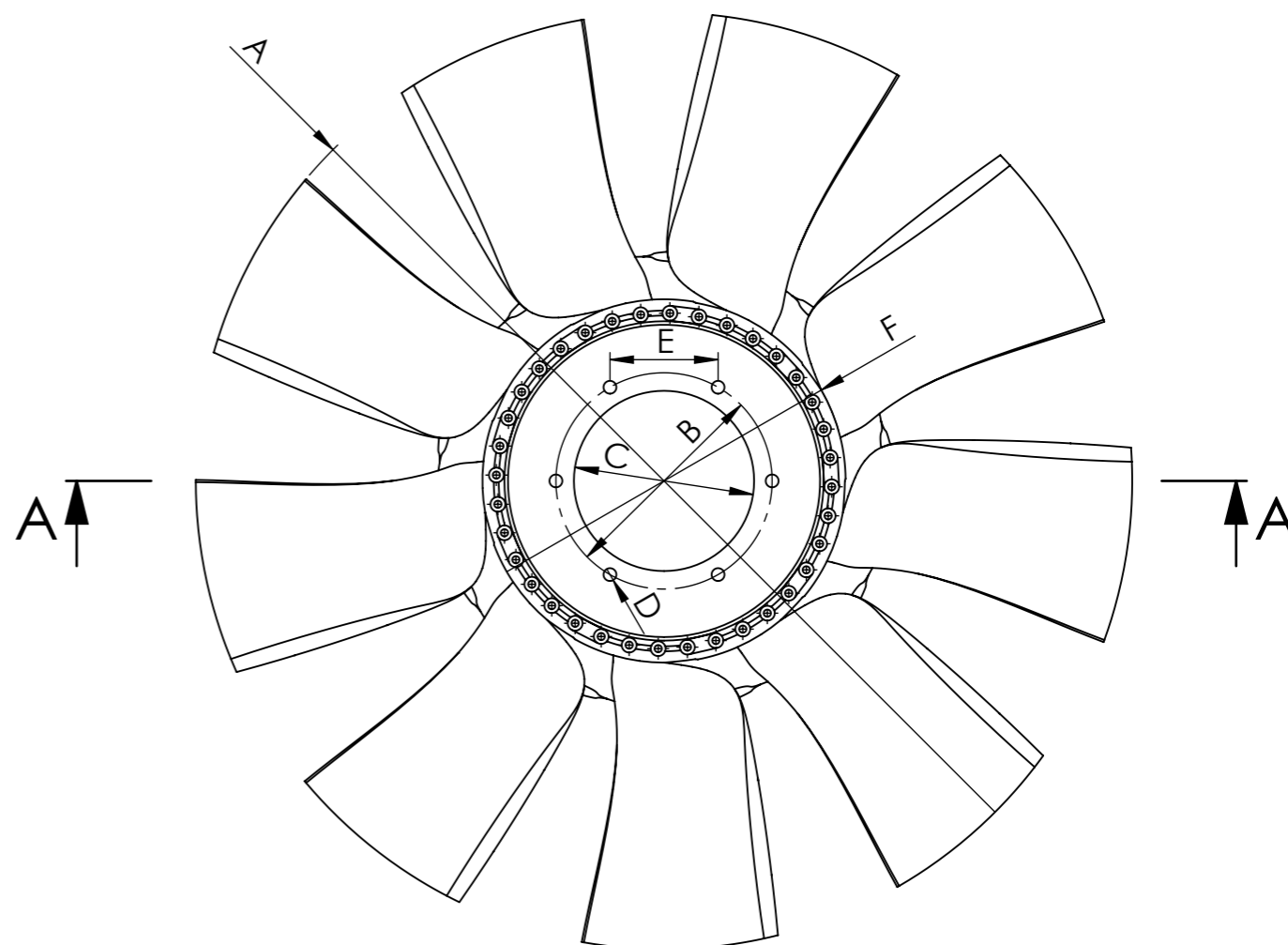
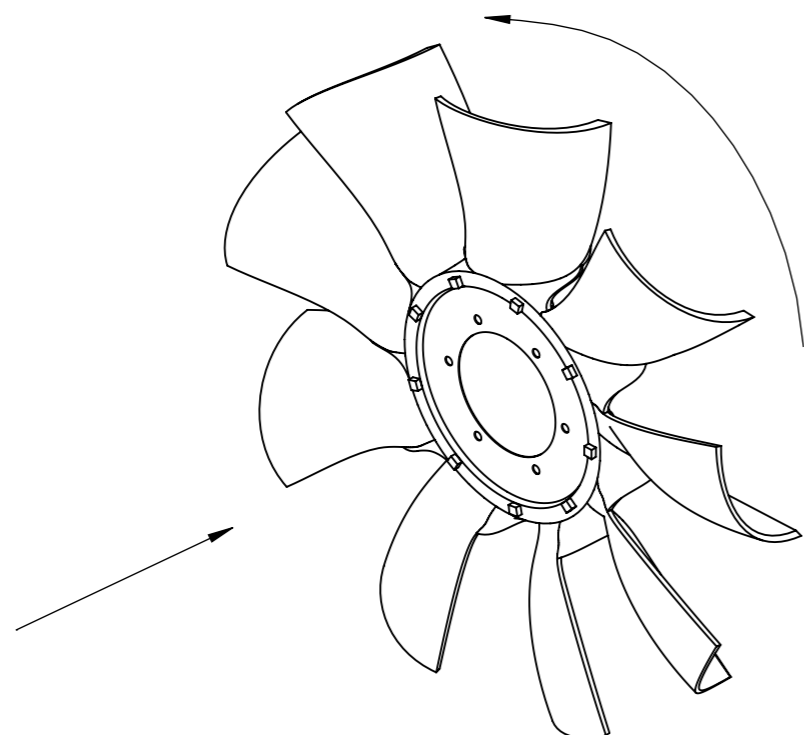


SECTION A-A



FAN WHEEL				
Dimensional values	Ref.n°	Value	Ref.n°	Value
	A	$\phi 660 \pm 3$ mm	G	30 ± 3 mm
	B	$\phi 152,4$ mm	H	56 ± 3 mm
	C	$\phi 127 +0,30$ mm	I	92 ± 3 mm
	D	6x $\phi 9$ mm		
	E	76,2 mm		
	F	$\phi 250 \pm 3$ mm		
	Number of blades	9	Configuration	CCW

Modification n°	Modified	Date	Reason	Comments	Drawn
					4
3					Checked
2					21/02/25 R.U.
1					

General Tolerance	ISO 2768 c-K	Assembly	Technical sheet
Material		Part name	Fan wheel
ID. Reference	7277400	Scale: 1/5	
Review: 0			

