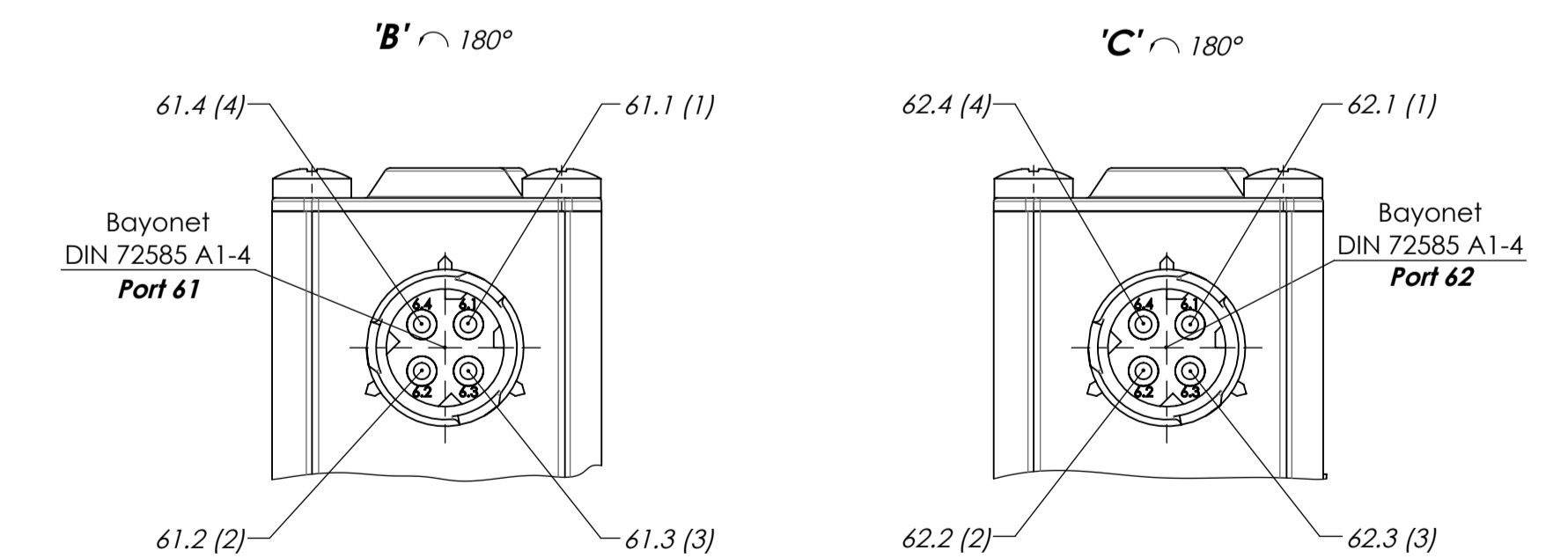
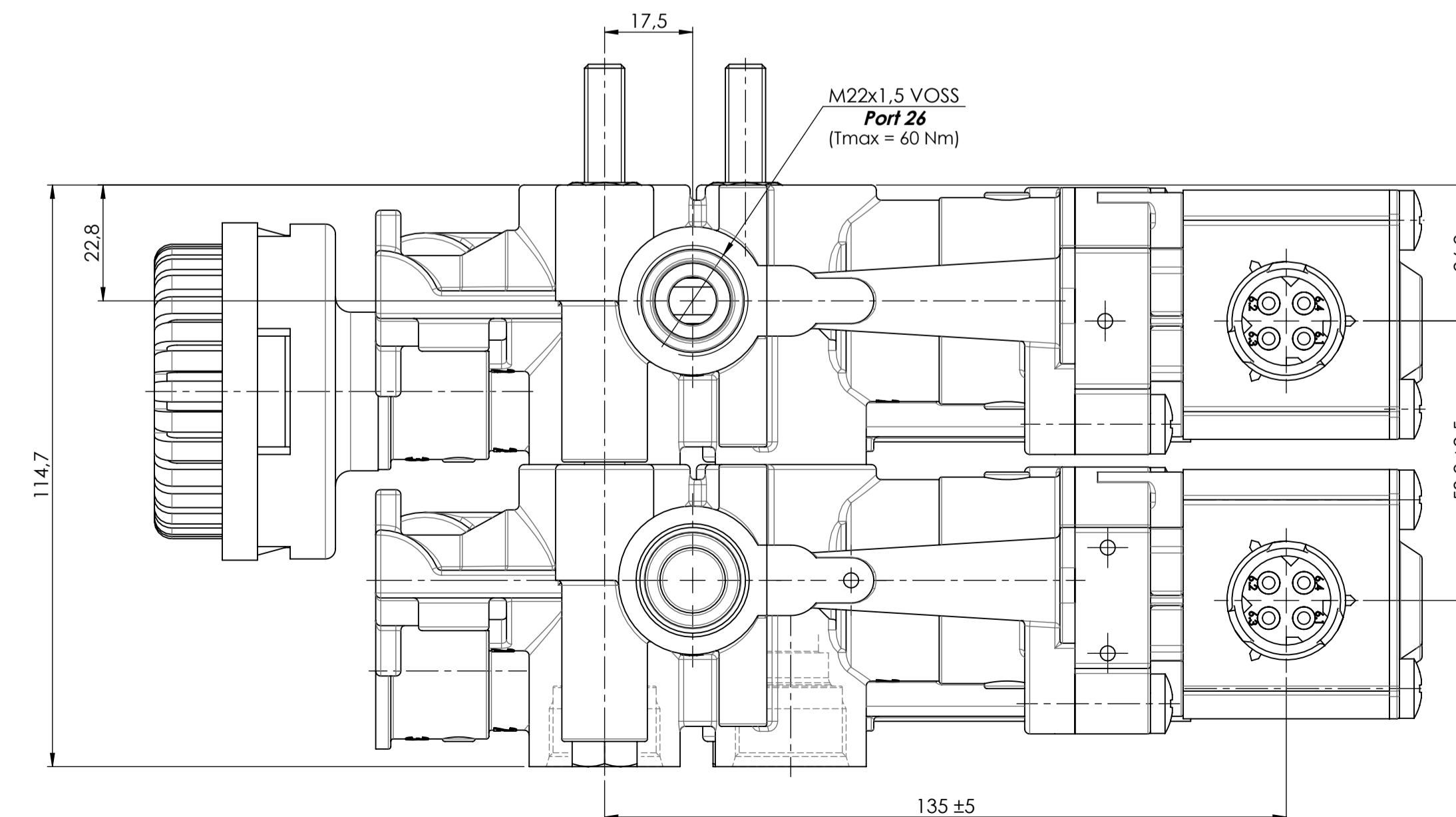
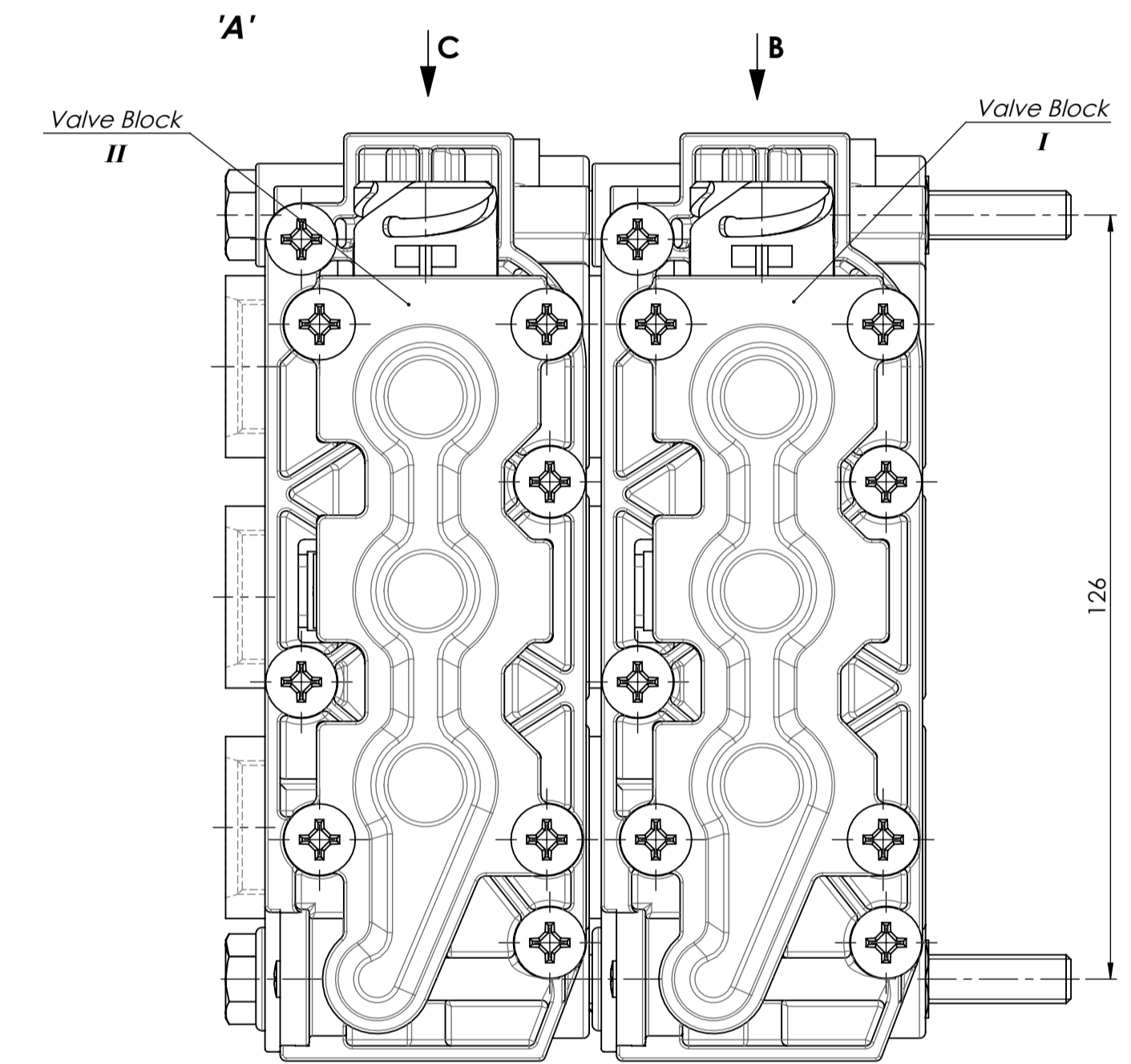
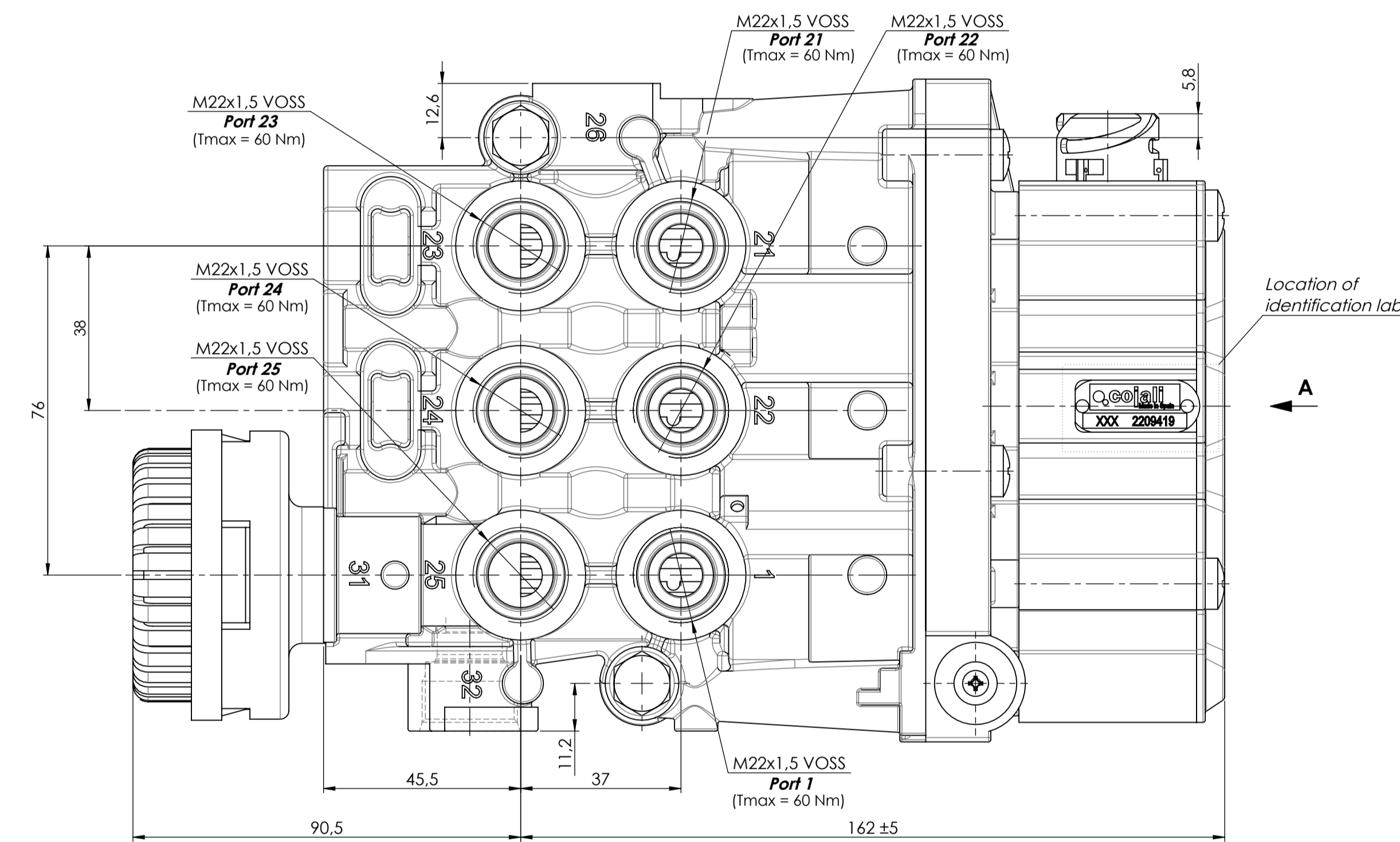
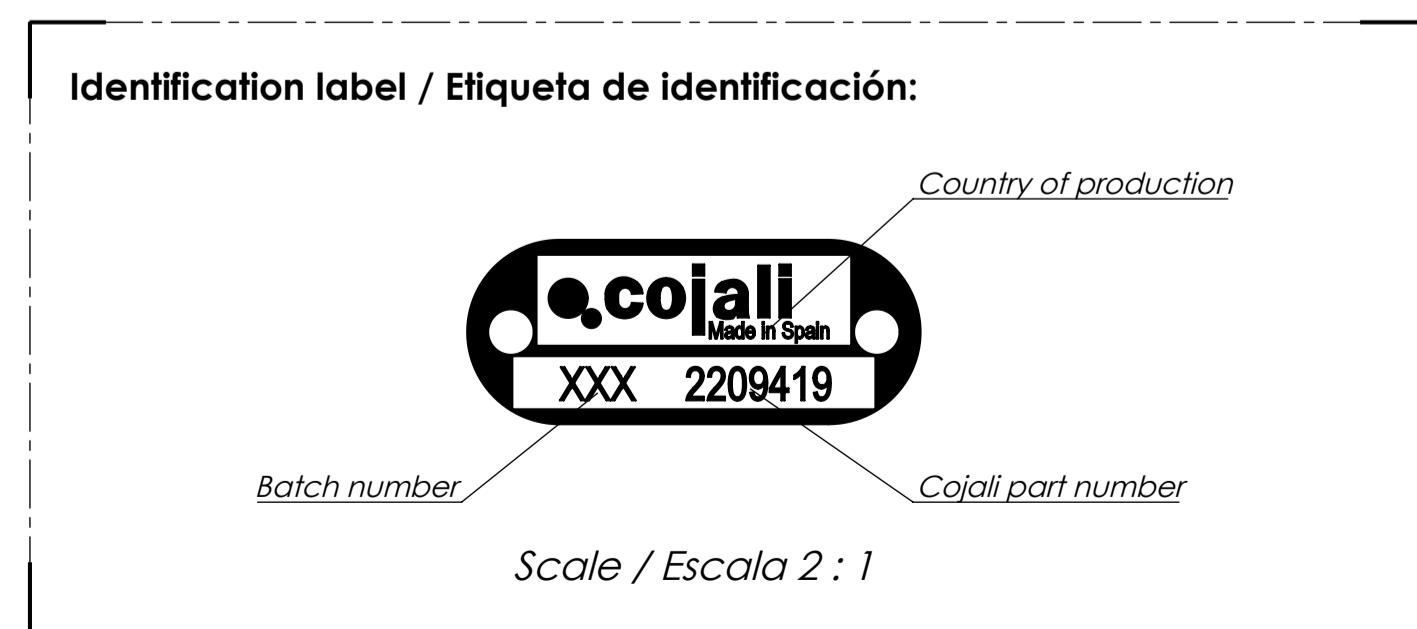
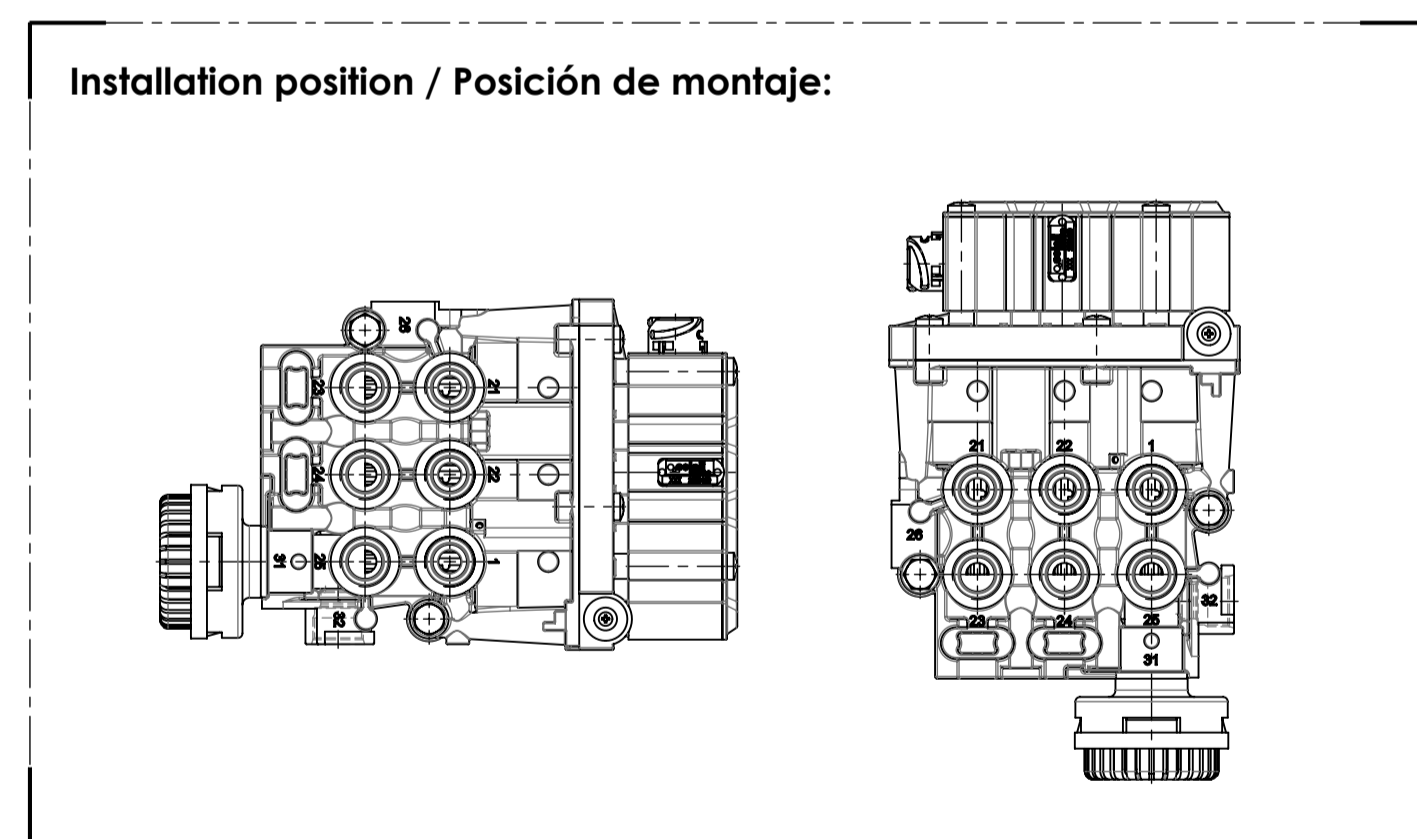
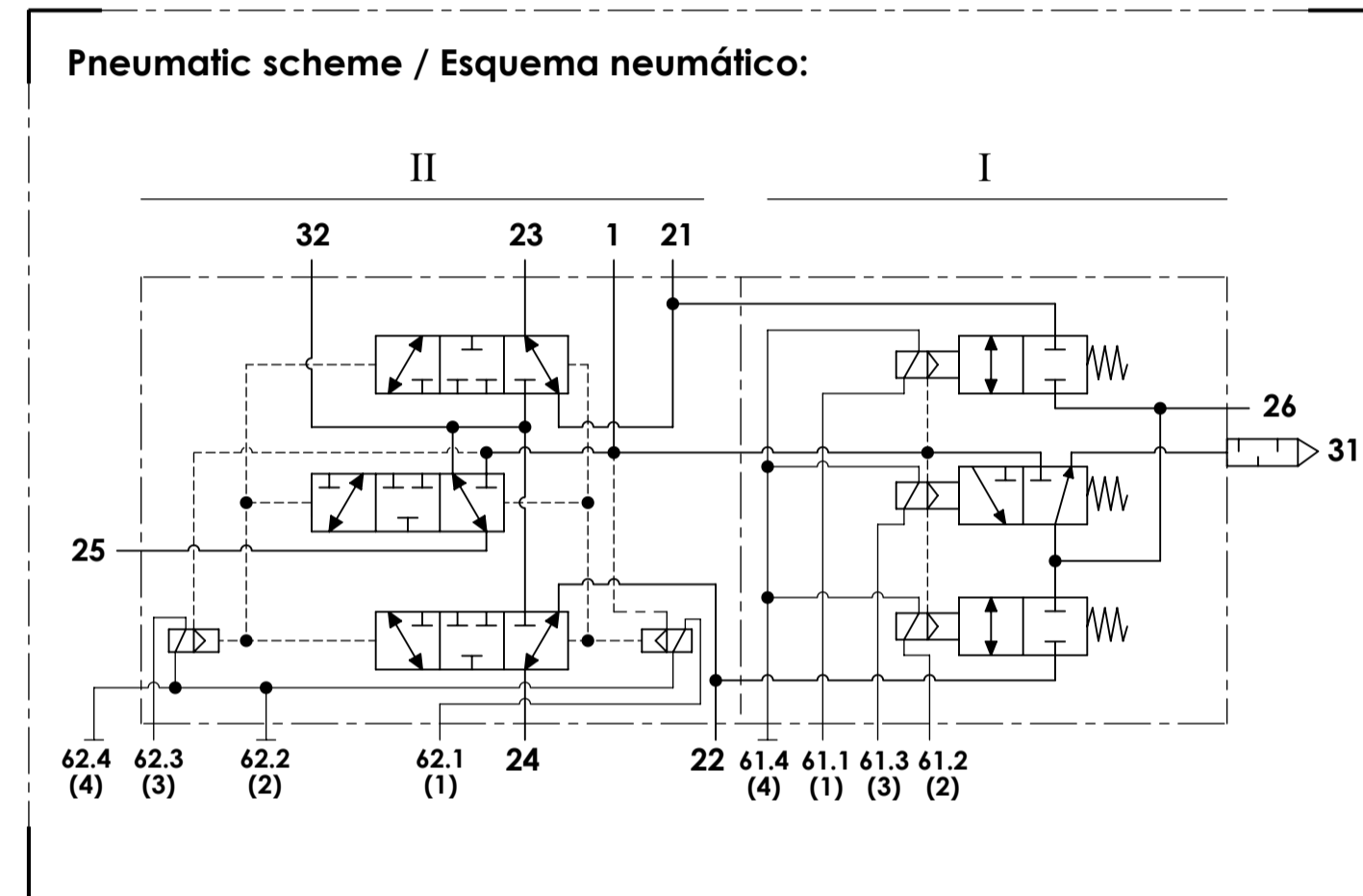
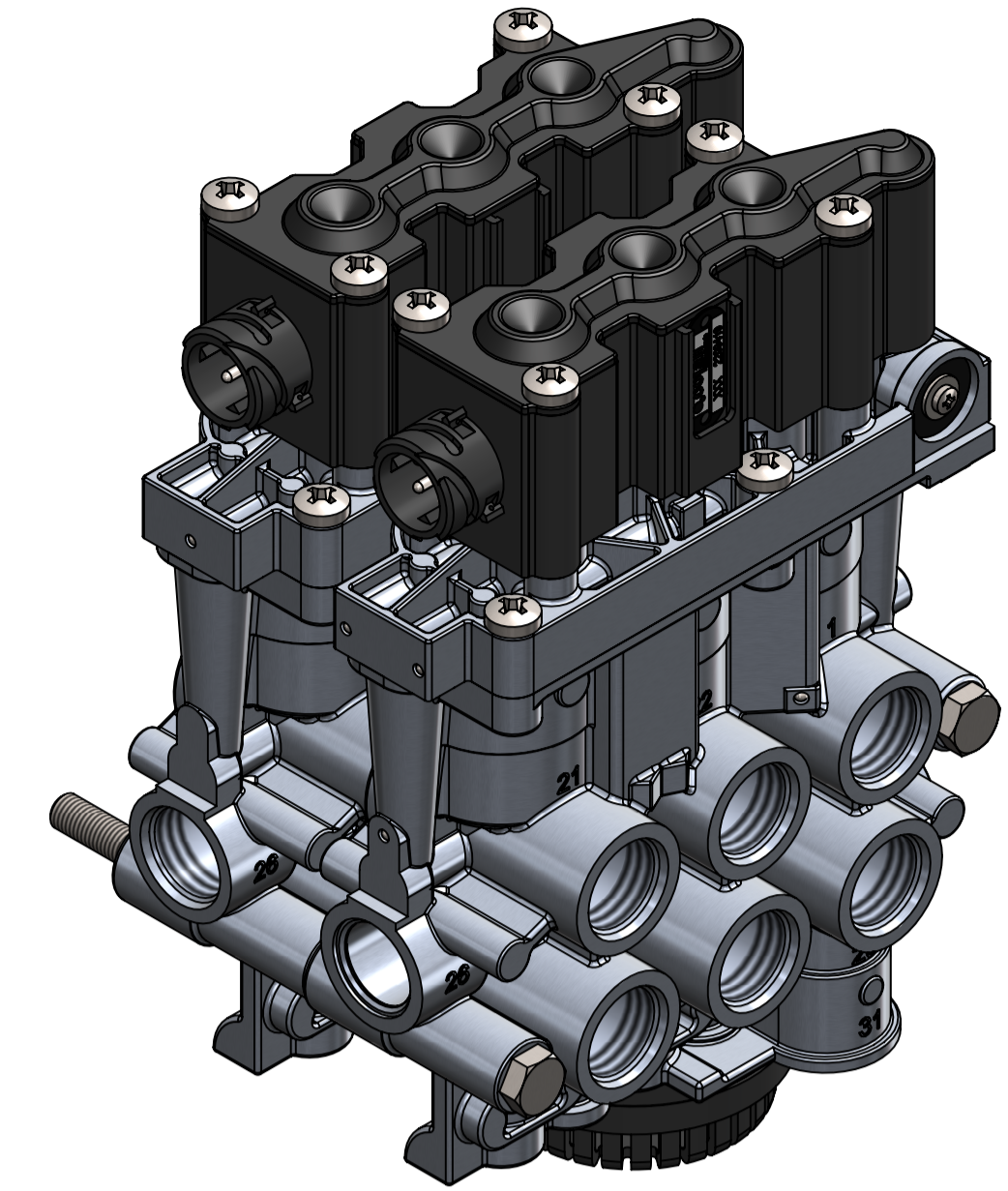
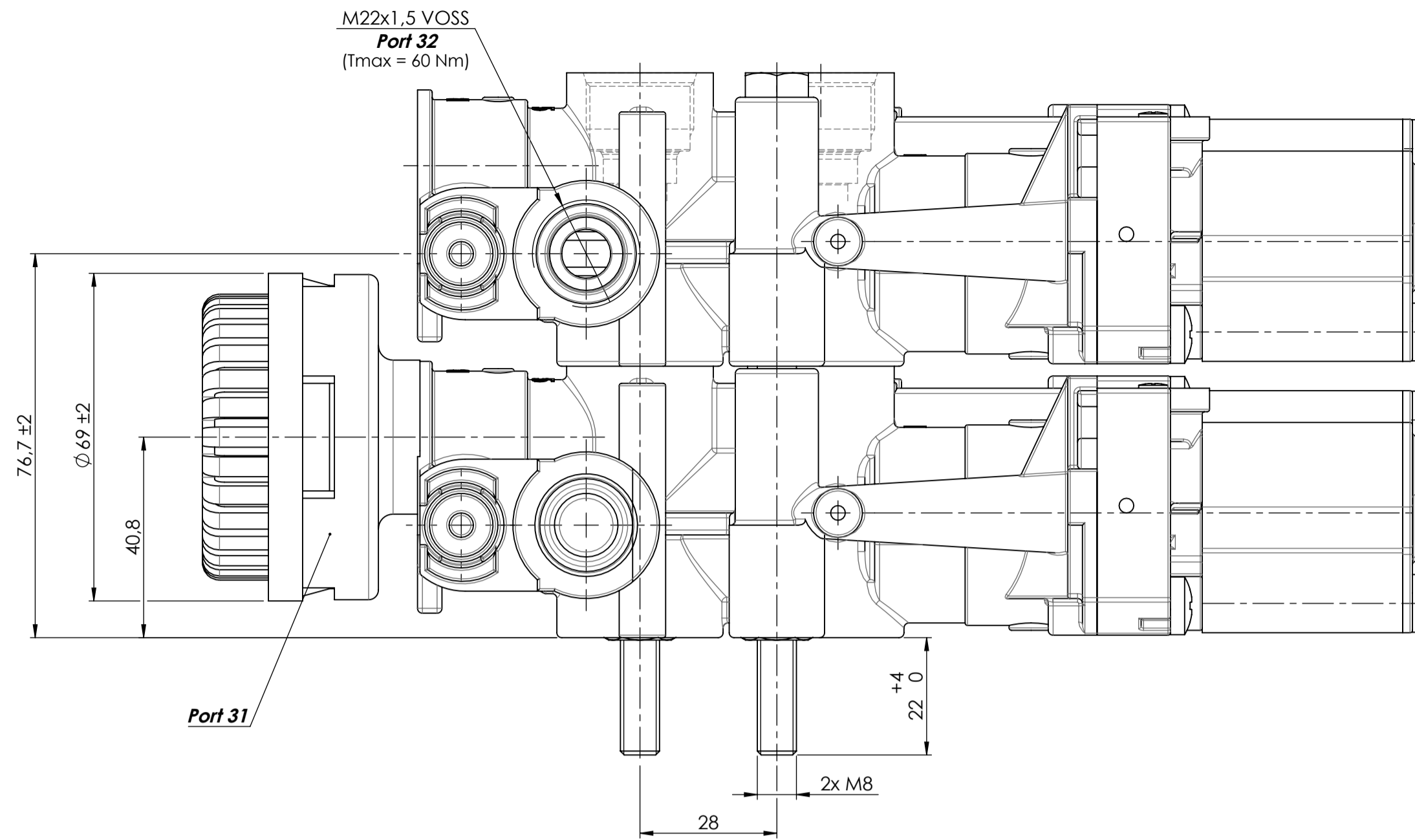


Technical data / Datos técnicos:

Part number adaptable to / Referencia adaptable a	4729051110
Operating pressure / Presión de trabajo	max. 13 bar
Permissible medium / Medio de funcionamiento	Air / Aire
Operating temperature range / Rango de temperatura	-40°C to / a +80°C
Weight / Peso	4800 gr

Solenoid valve specifications / Especificaciones de la electroválvula

Nominal voltage / Voltaje nominal	24 V
Nominal current / Corriente nominal	max. 0,32 A



4				Drawn	
3				05/04/18 S.Y.	
2				Checked	
1	J.S.	21/08/23	Modify sheet format	05/04/18 O.V.	
nº Modified	Date	Reason	General Tolerance	Assembly	
Comments			ISO 2768 v-K	Part name	ECAS Solenoid Valve
			Material	ID. Reference	2209419
				Scale: 1/1	
				Review: 1	

