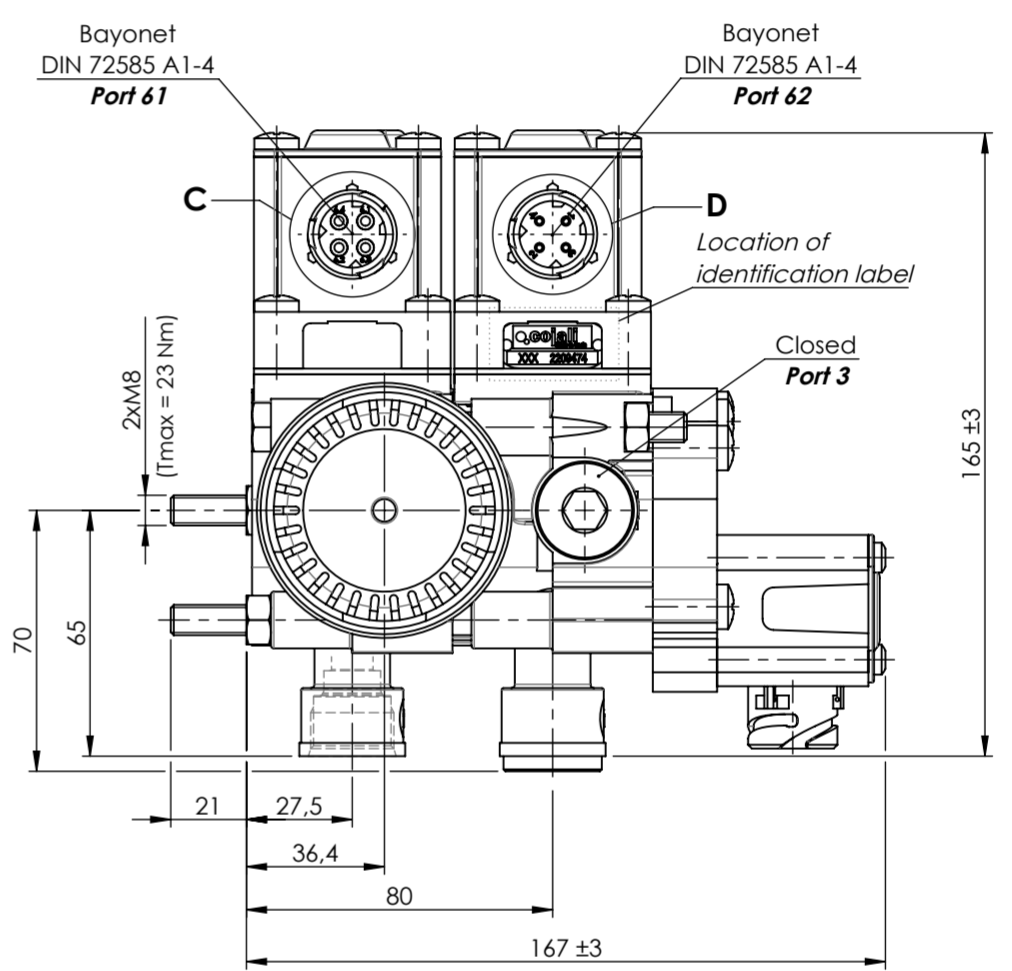
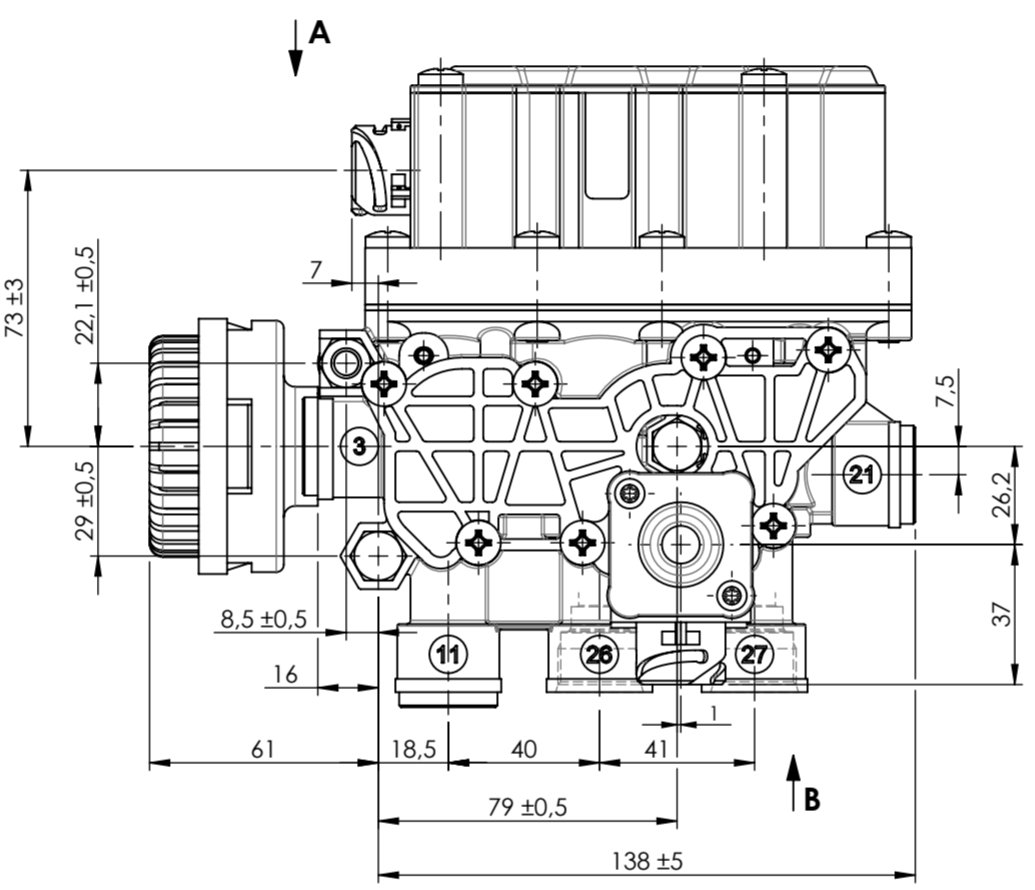
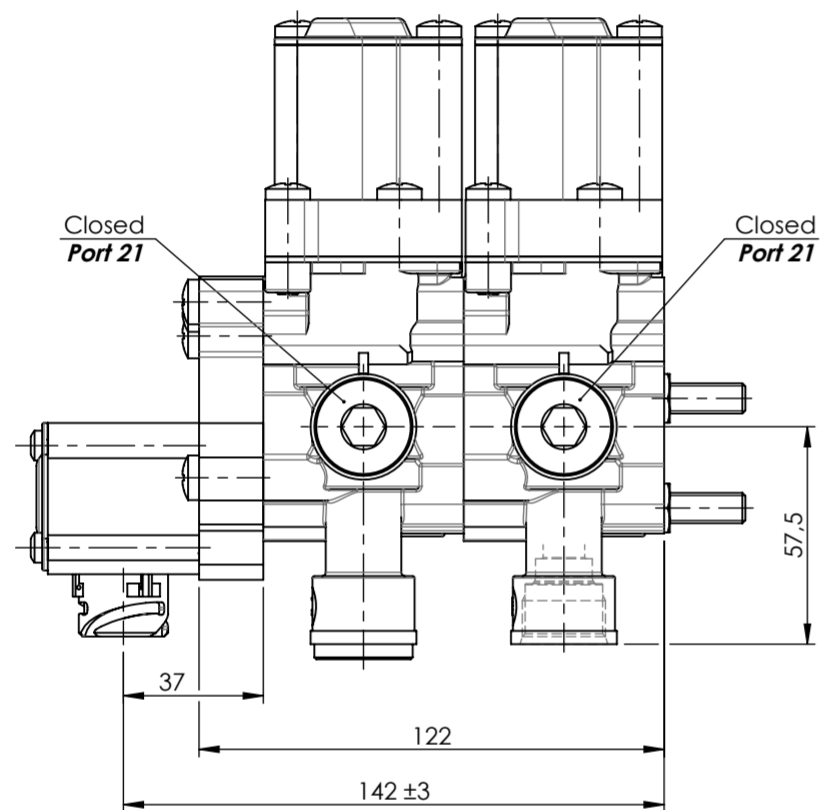
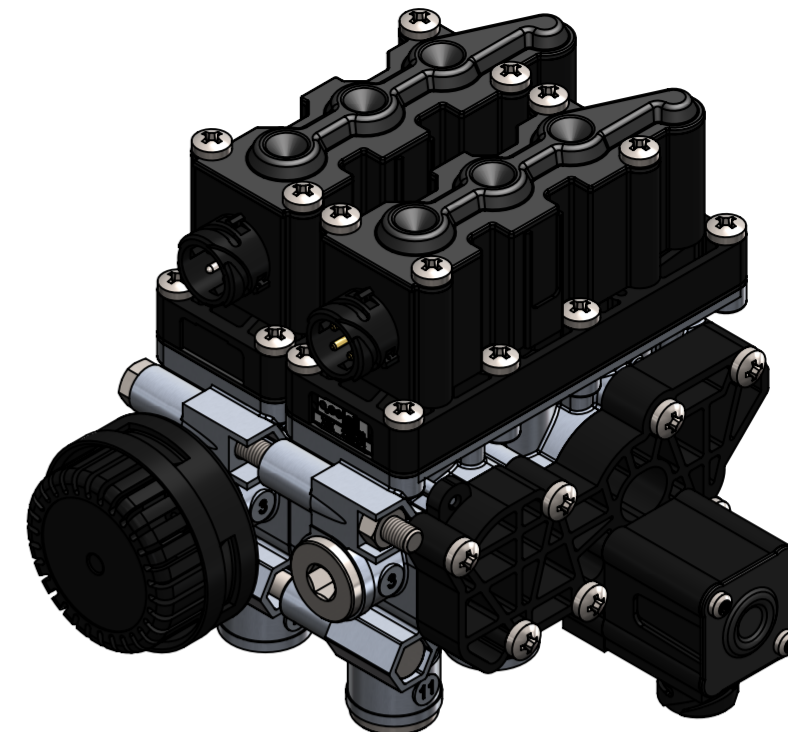
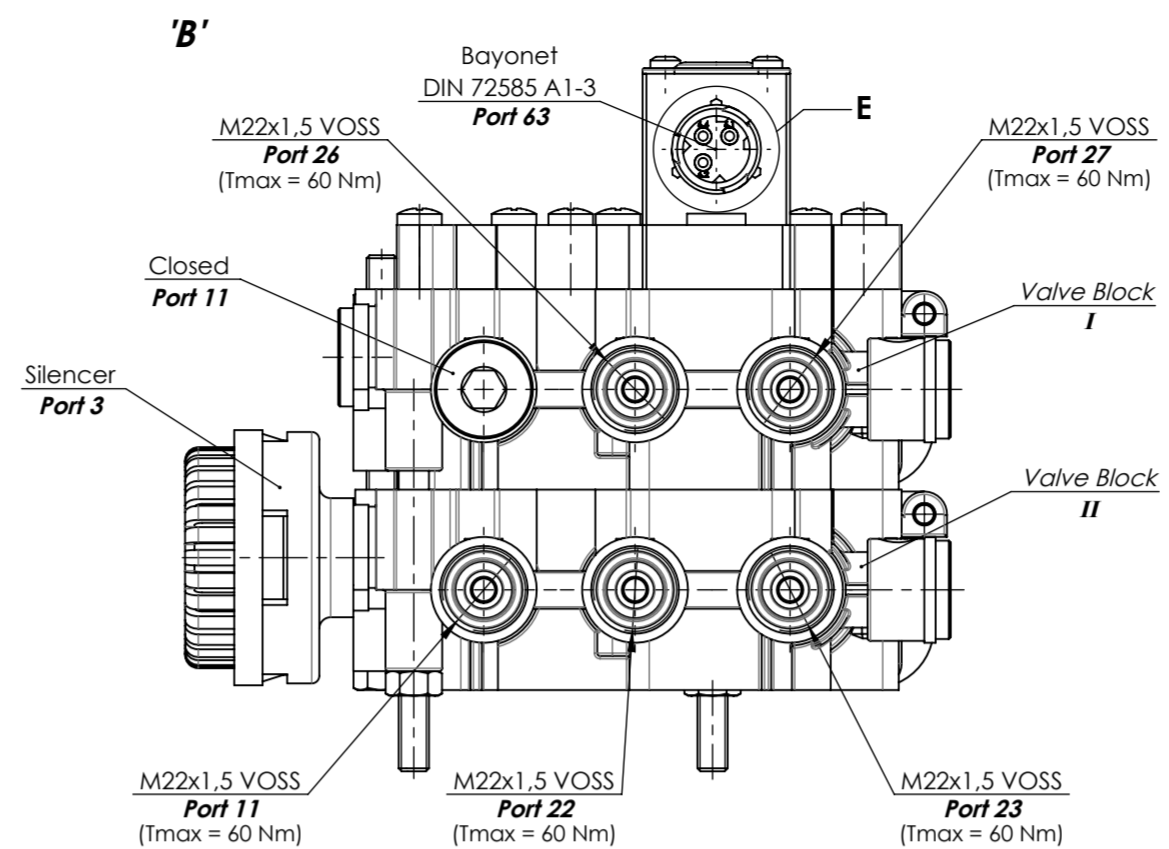
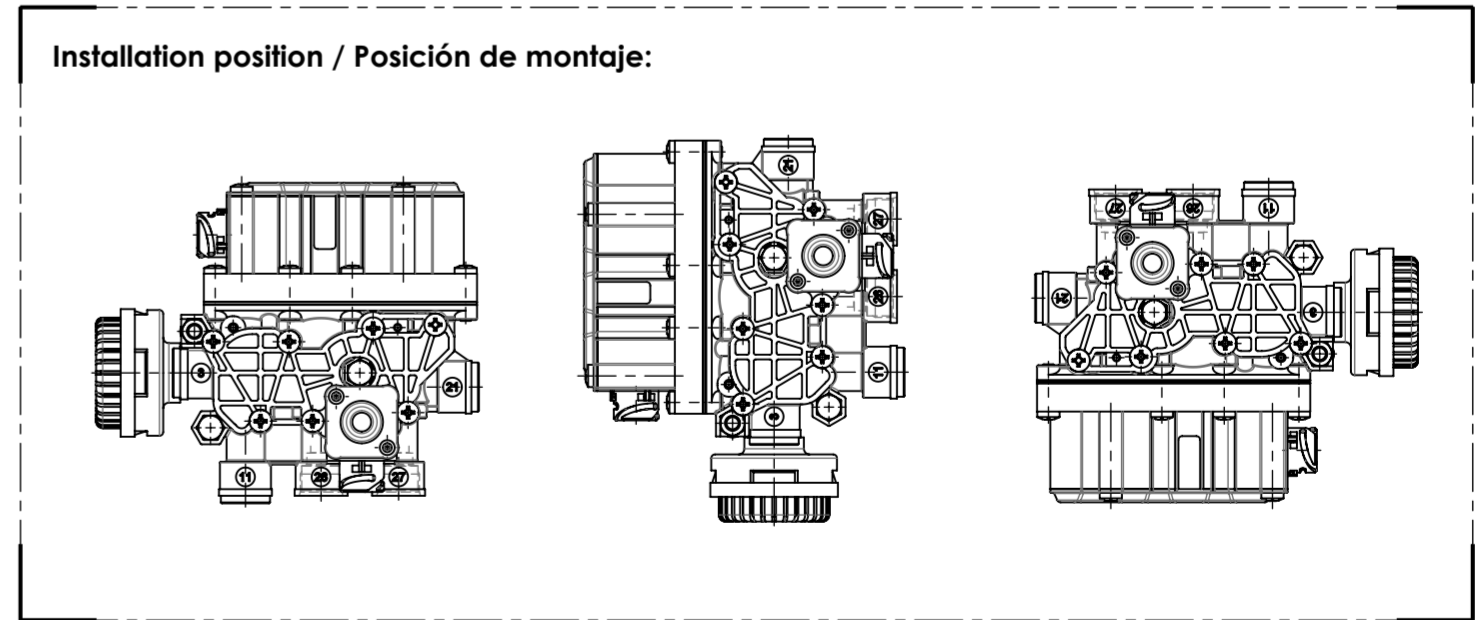
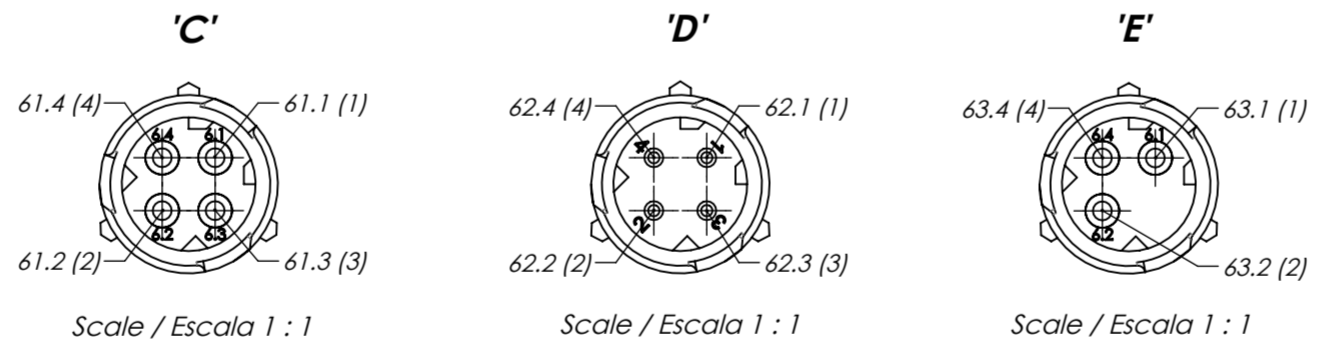


Country of production
 Batch number
 XXX 2209474
 Scale / Escala 1 : 1



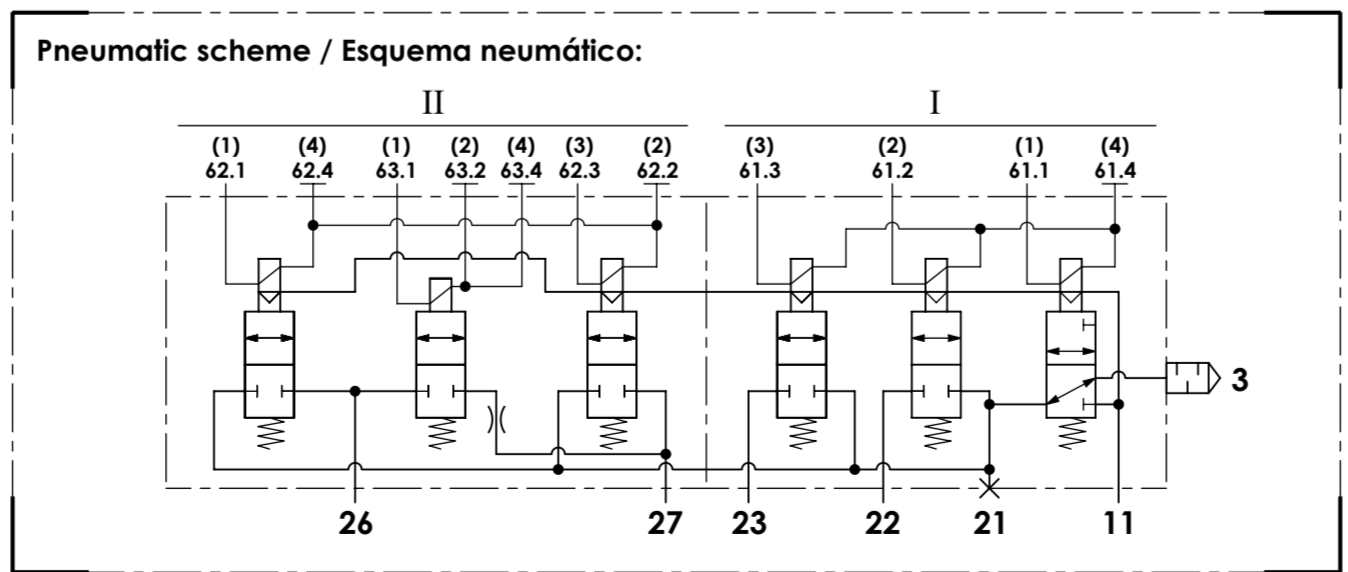
Technical data / Datos técnicos:

Part number adaptable to / Referencia adaptable a	4728800650
Operating pressure / Presión de trabajo	max. 13 bar
Permissible medium / Medio de funcionamiento	Air / Aire
Operating temperature range / Rango de temperatura	-40 °C to / a +80 °C
Weight / Peso	5300 gr

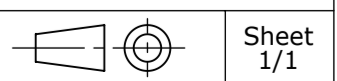


Solenoid valve specifications / Especificaciones de la electroválvula

Nominal voltage / Voltaje nominal	24 V
Nominal current / Corriente nominal	max. 0,32 A



Modification	4			Drawn	20/08/19 J.S.
	3			Checked	
	2			20/08/19 O.V.	
	1	J.S.	22/08/23	Modify sheet format	
nº Modified	Date	Reason	General Tolerance		
Comments			ISO 2768 v-K	Assembly	
			Material	ID. Reference	ECAS Solenoid Valve
			Scale: 1/2		2209474
			Review: 1		



Sheet 1/1