

1

2

3

4

A

Technical sheet / Datos técnicos:

A

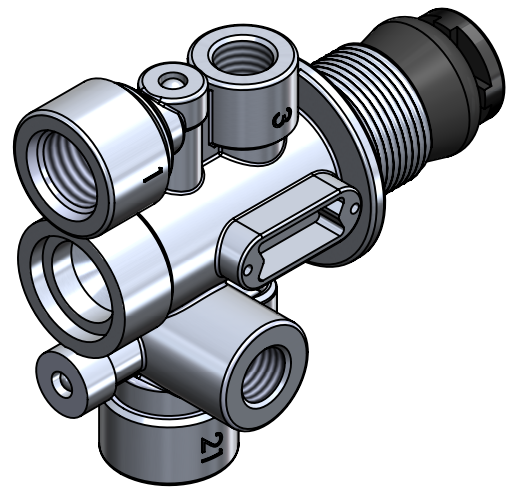
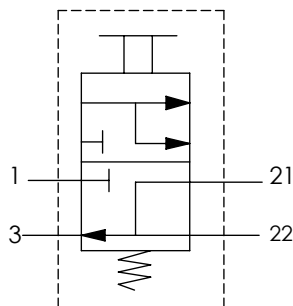
Part number adaptable to / Referencia adaptable a	4630132100
Working pressure / Presión de trabajo	max 10 bar
Stroke / Carrera	5,7 mm
Permissible medium / Medio de funcionamiento	Air / Aire
Operating temperature range / Rango de temperatura	-40°C to / a +80°C
Weight / Peso	340 gr

B

B

C

C



D

D

Port / Conexión	Function / Función	Thread / Rosca
1	Supply / Alimentación	M16x1.5 VOSS
21	Delivery / Salida	M16x1.5 VOSS
22	Delivery / Salida	M12x1.5
3	Exhaust / Escape	M12x1.5

E

E

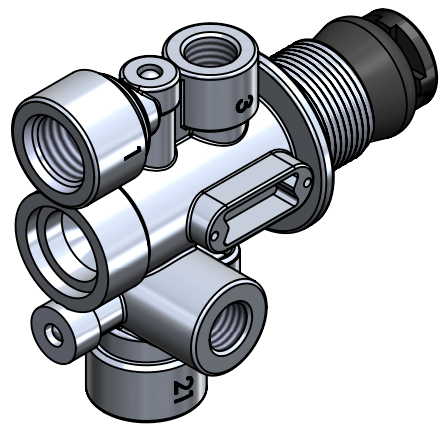
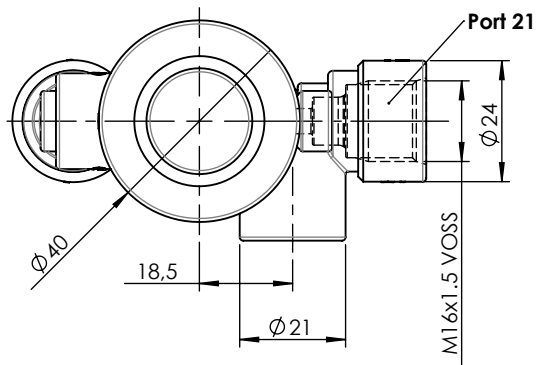
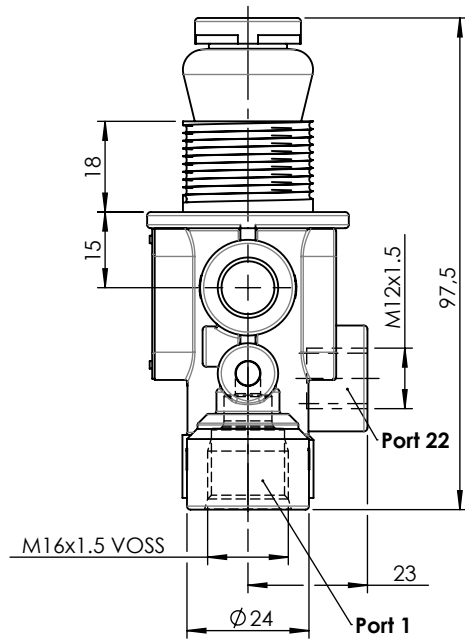
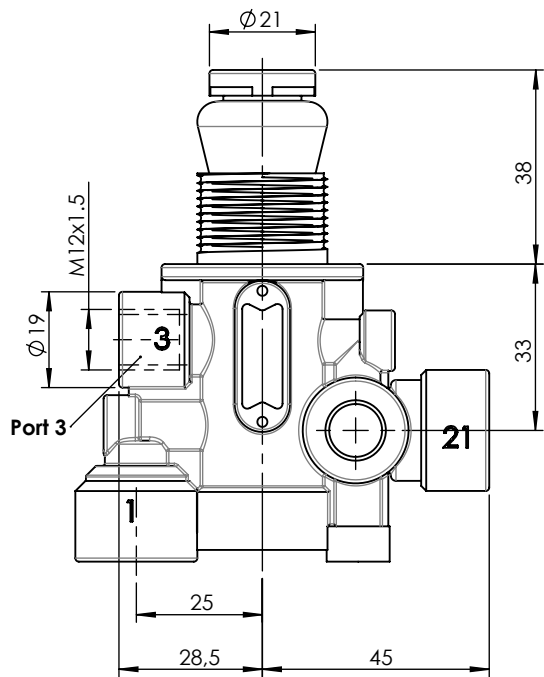
Purpose / Propósito: To ventilate and to purge operating cylinders. / Ventilar y purgar los cilindros operativos.

Installation requirements / Requisitos para la instalación: The valve must be installed using the thread M26x1.5. / La válvula debe ser instalada usando la rosca M26x1.5.

F

F

Modification	4				Drawn		
	3				29/12/14 A.U.		
	2				Checked		
	1				29/12/14 A.L.		
nº	Modified	Date	Reason	General Tolerance	Assembly	-	
Comments					-	Part name	3 ways valve
					Material	ID. Reference	2213108
					-	Scale: -	
					-	Review: 0	



F	Modification	4				Drawn	
		3				29/12/14 A.U.	
		2				Checked	
		1				29/12/14 A.L.	
	nº	Modified	Date	Reason	General Tolerance	Assembly	
Comments					ISO 2768 c-K	Part name	3 ways valve
					Material	ID. Reference	2213108
						Scale: 2/3	
						Review: 0	