

1

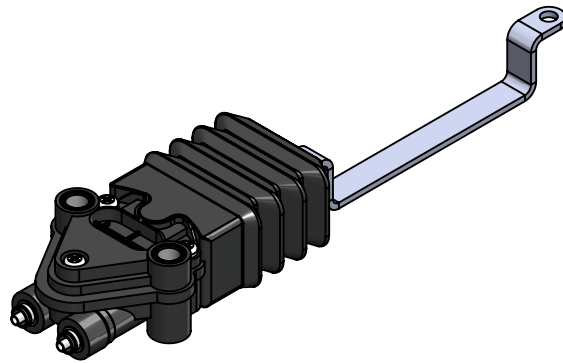
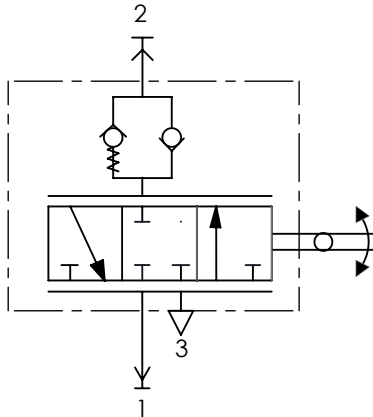
2

3

4

A Technical sheet / Datos técnicos:

| | |
|--|--------------------|
| Part number adaptable to / Referencia adaptable a | 4640070150 |
| Operating pressure / Presión de trabajo | max. 11 bar |
| Permissible medium / Medio de funcionamiento | Air / Aire |
| Operating temperature range / Rango de temperatura | -40°C to / a +80°C |
| Weight / Peso | 200 gr |

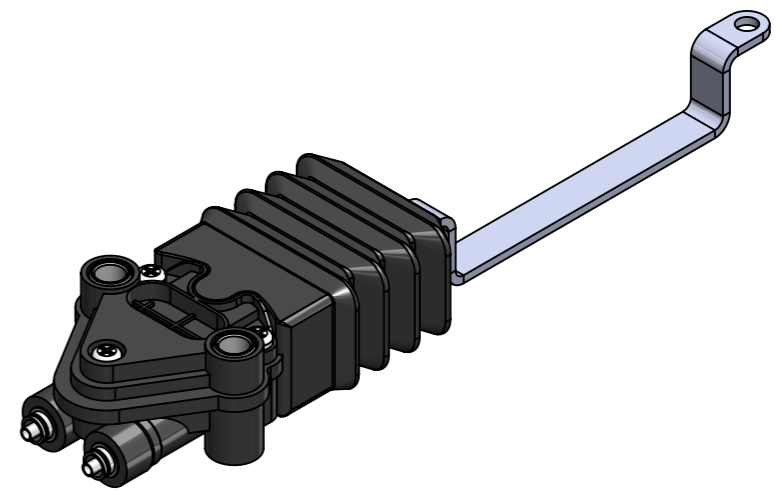
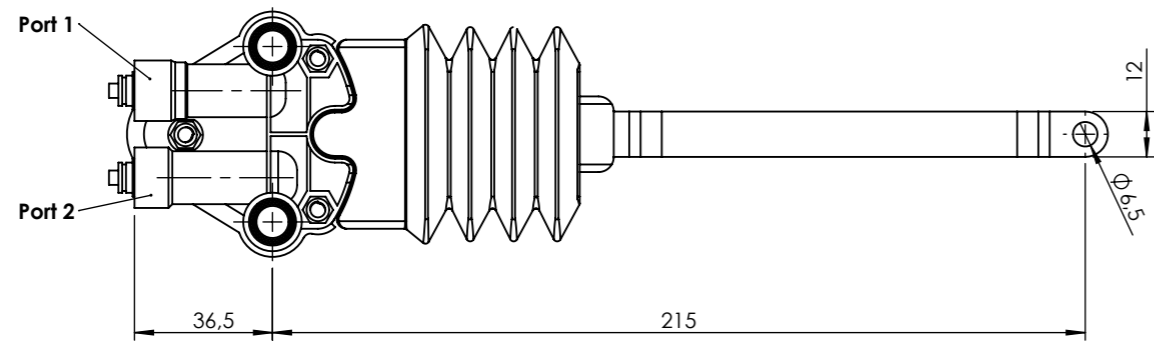
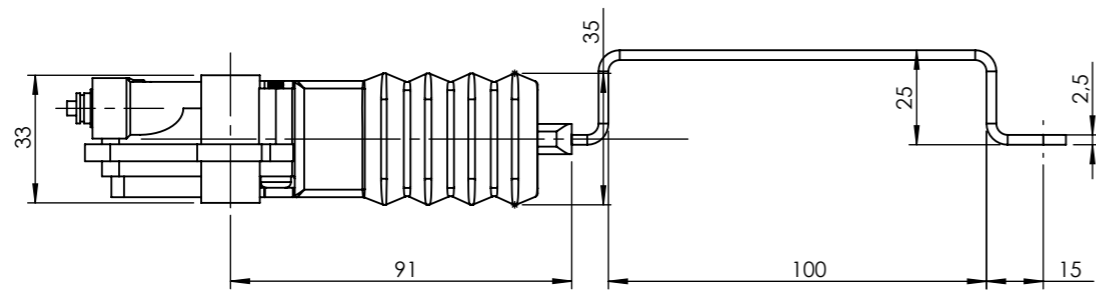
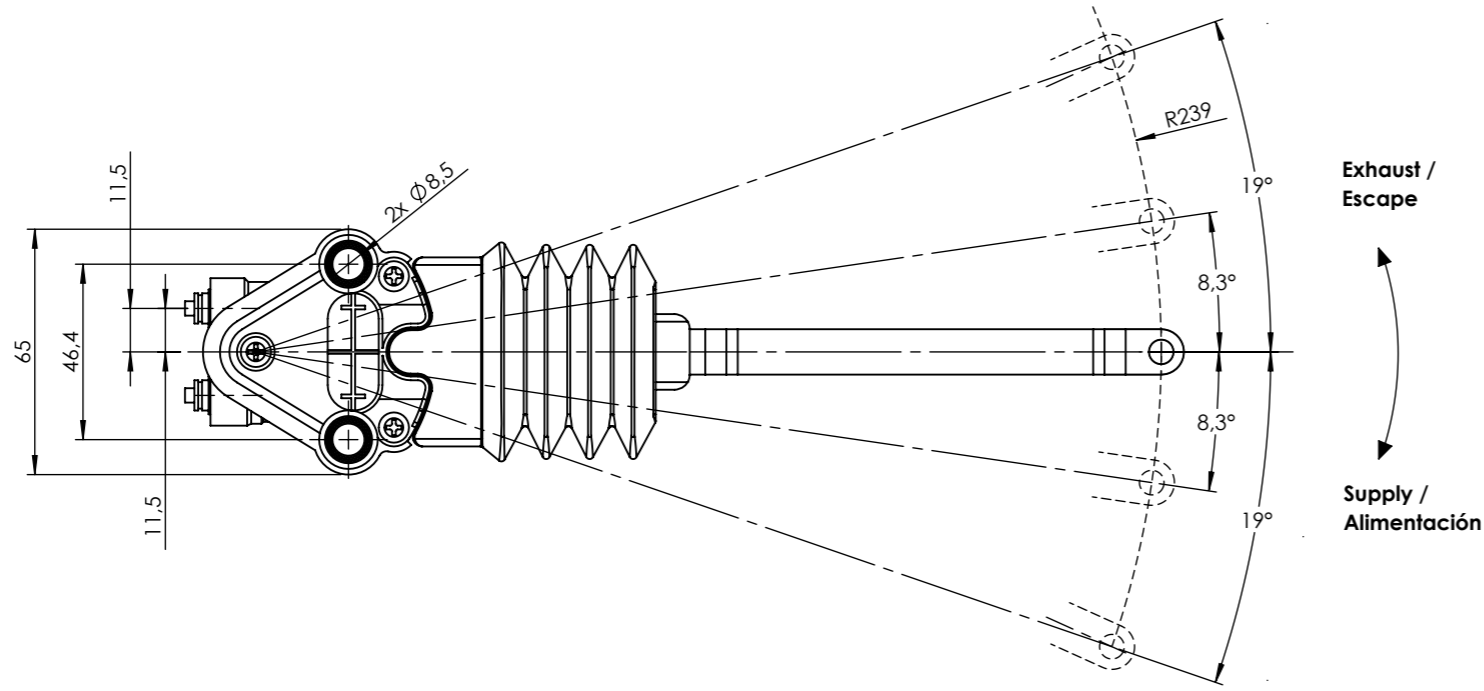




| Port / Conexión | Function / Función | Connector / Conector |
|-----------------|-----------------------|---|
| 1 | Supply / Alimentación | Quick connection - Tube 6 mm / Conexión rápida - Tubo 6 mm |
| 2 | Delivery / Salida | Quick connection - Tube 6 mm / Conexión rápida - Tubo 6 mm |
| 3 | Exhaust / Escape | - |

Purpose / Propósito: The cabin leveling valve ensures that the height of the cabin is suitable for driving comfort. / La válvula niveladora de cabina se encarga de que la altura de la cabina sea adecuada para asegurar el confort de la conducción.

Installation requirements / Requisitos para la instalación: The leveling valve is fastened to the chassis using two screws M8. / La válvula niveladora se sujetará al chasis del camión por medio de dos tornillos M8.

| | | | | | | | |
|----------|--------------|----|----------|------|----------|-------------------|----------------|
| F | Modification | 4 | | | | Drawn | |
| | | 3 | | | | 06/10/15 A.U. | |
| | | 2 | | | | Checked | |
| | | 1 | | | | 06/10/15 A.L. | |
| | | nº | Modified | Date | Reason | General Tolerance | |
| Comments | | | | | - | Part name | Leveling valve |
| | | | | | Material | ID. Reference | 2214512 |
| | | | | | - | Scale: - | |
| | | | | | - | Review: 0 | |



| | | | | | | |
|--------------|-------------|------|--------|-------------------|---|---|
| Modification | 4 | | | Drawn |  | F |
| | 3 | | | 06/10/15 A.U. | | |
| | 2 | | | Checked | | |
| | 1 | | | 06/10/15 A.L. | | |
| | nº Modified | Date | Reason | General Tolerance | Assembly | - |
| Comments | | | | ISO 2768 c-K | Part name | Leveling valve |
| | | | | Material | ID. Reference | 2214512 |
| | | | | - | Scale: 1/2 |  |
| | | | | | Review: 0 | |