

1

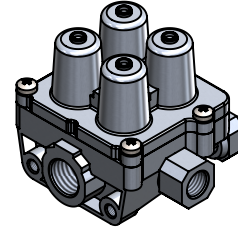
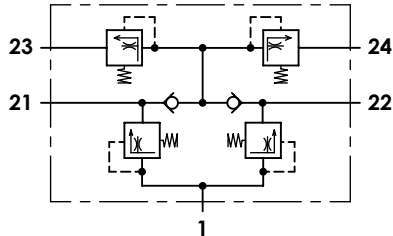
2

3

4

Technical sheet / Datos técnicos:

| | |
|--|--------------------|
| Part number adaptable to / Referencia adaptable a | 9347141260 |
| Operating pressure / Presión de trabajo | max. 13 bar |
| Permissible medium / Medio de funcionamiento | Air / Aire |
| Operating temperature range / Rango de temperatura | -40°C to / a +90°C |
| Weight / Peso | 700 gr |



| Port / Conexión | Function / Función | | | | Thread / Rosca |
|--|---|----------|----------------------------------|----------------------------------|----------------|
| 1 | Supply / Alimentación | | | | M22x1,5 |
| 21 | Delivery to service brake circuit 1 / Salida al circuito del freno de servicio 1 | | | | M16x1,5 |
| 22 | Delivery to service brake circuit 2 / Salida al circuito del freno de servicio 2 | | | | M16x1,5 |
| 23 | Delivery to parking brake circuit and trailer / Salida al circuito del trailer y del freno de parking | | | | M16x1,5 |
| 24 | Delivery to auxiliary circuit / Salida al circuito de auxiliares | | | | M16x1,5 |
| Circuit / Circuito | 1 | 2 | 3 | 4 | |
| Port / Conexión | 21 | 22 | 23 | 24 | |
| Opening pressure / Presión de apertura (bar) | 8,0 ⁰ _{-0,3} | | 8,5 ⁰ _{-0,3} | 8,0 ⁰ _{-0,3} | |
| Closing pressure dynamic / Presión de cierre dinámica (bar) | ≥ 5,0 | | ≥ 5,0 | | |
| Closing pressure static / Presión de cierre estática (bar) | 0 | ≥ 4,5 | ≥ 6,7 | | |
| | ≥ 4,5 | 0 | ≥ 6,7 | | |
| | ≥ 4,5 | | 0 | ≥ 4,5 | |
| | ≥ 4,5 | | ≥ 4,5 | 0 | |

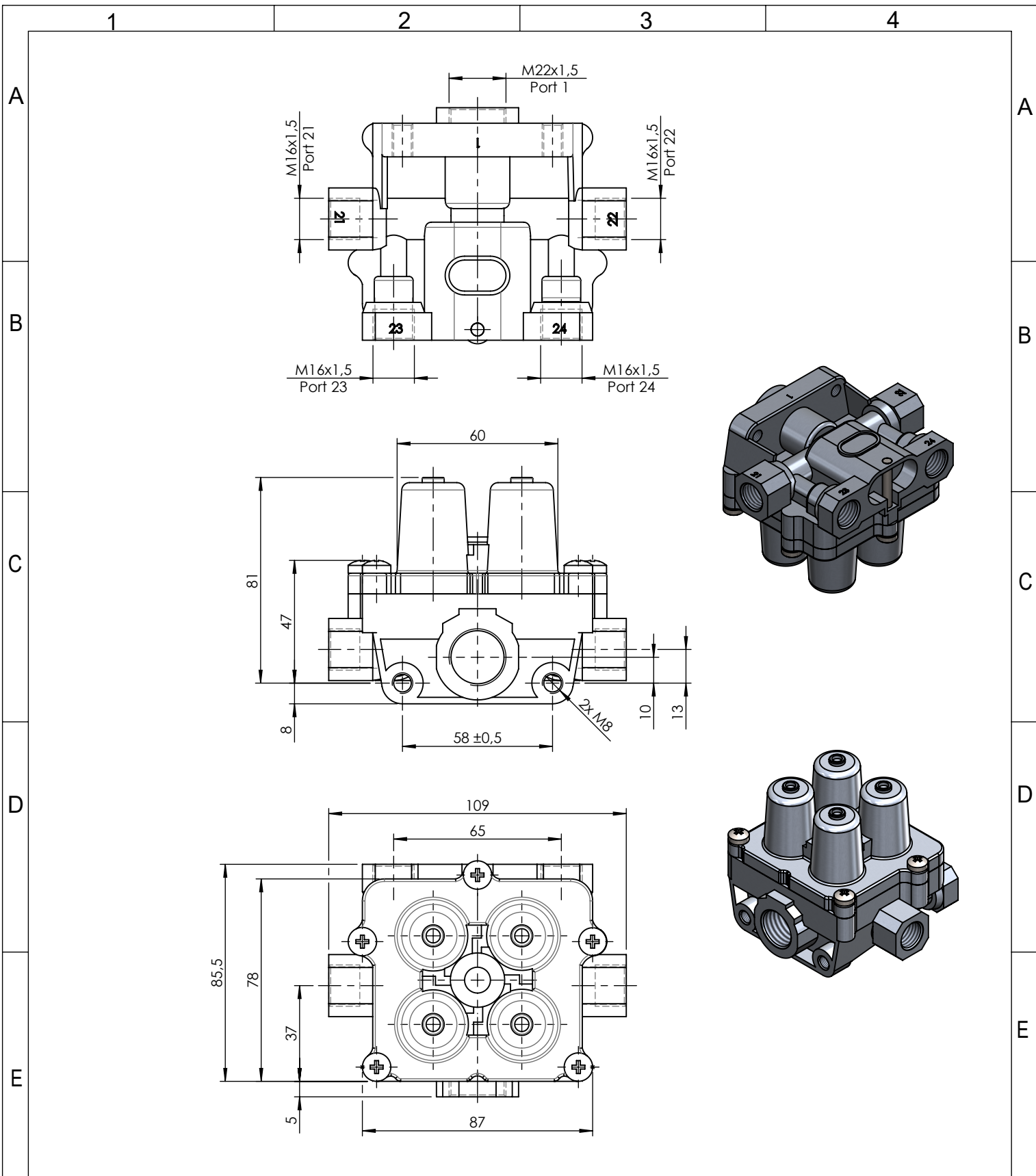
Purpose / Propósito:

To distribute clean and dry air from the air dryer to different pneumatic circuits. Ensure pressure in brake circuits in case of leaks or breakage in any circuit. / Distribuir el aire limpio y seco proveniente del secador a los diferentes circuitos neumáticos. Asegurar la presión en los circuitos de freno en caso de fuga o rotura en cualquier circuito.

E Installation requirements / Requisitos para la instalación:

The protection valve may be installed into the piping in any position. Mounting is accomplished by using two screws M8. / La válvula de protección puede instalarse en las tuberías en cualquier posición. El montaje se realiza mediante dos tornillos M8.

| | | | | | | | | |
|--------------|----|----------|----------|------------------------|-------------------|-----------|--------------------------|-----------|
| Modification | 4 | | | | Drawn | | | |
| | 3 | | | | 29/08/13 O.V. | | | |
| | 2 | | | | Checked | | | |
| | 1 | J.S. | 09/06/21 | Change of sheet format | 29/08/13 A.L. | | | |
| | nº | Modified | Date | Reason | General Tolerance | | Assembly | |
| Comments | | | | | - | Part name | Protection circuit valve | |
| | | | | | - | Material | ID. Reference | 2222439 |
| | | | | | - | Scale: - | | Sheet 1/2 |
| | | | | | - | Review: 1 | | |



| | | | | | | | | |
|------------------|--------------|----------|------|----------|------------------------|---------------|--------------------------|-----------|
| F | Modification | 4 | | | | Drawn | | F |
| | | 3 | | | | 29/08/13 O.V. | | |
| | | 2 | | | | Checked | | |
| | | 1 | J.S. | 09/06/21 | Change of sheet format | 29/08/13 A.L. | | |
| | n° | Modified | Date | Reason | General Tolerance | Assembly | | |
| Comments | | | | | ISO 2768 c-K | Part name | Protection circuit valve | |
| | | | | | Material | ID. Reference | 2222439 | |
| | | | | | - | Scale: 1/2 | | Sheet 2/2 |
| | | | | | | Review: 1 | | |
| PG/18/02 rev.1 1 | | 2 | | 3 | | 4 | | |