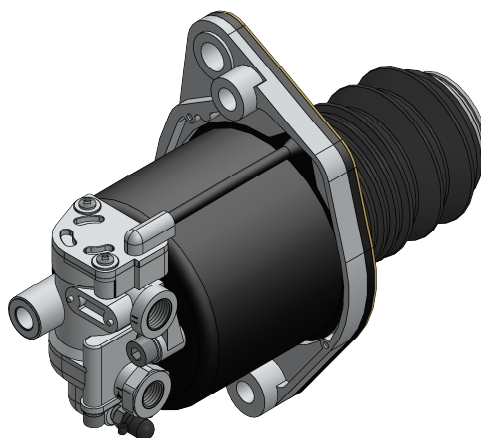
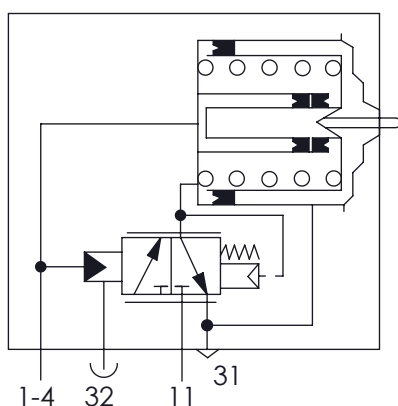


Technical Data/ Datos Técnicos:

| | |
|---|------------------------|
| Part number adaptable to/ Referencia adaptable a: | 970 051 158 0 |
| Hydraulic fluid/ Fluido hidráulico: | Brake fluid SAE J 1703 |
| Thermal range/ Rango de temperatura: | -40 °C to/ a 80 °C |
| Supply pressure/ Presión de alimentación: | max. 8 bar |
| Stroke/ Carrera: | 75 mm |
| Weight/ Peso: | 2,850 kg |

Pneumatic Scheme/ Esquema Neumático



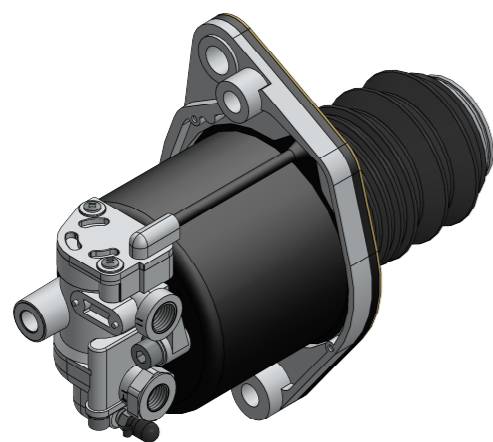
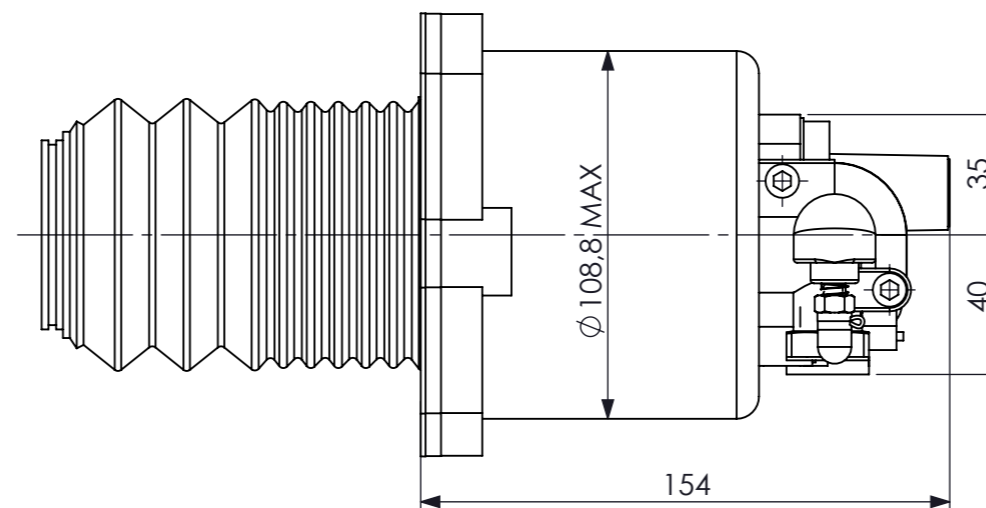
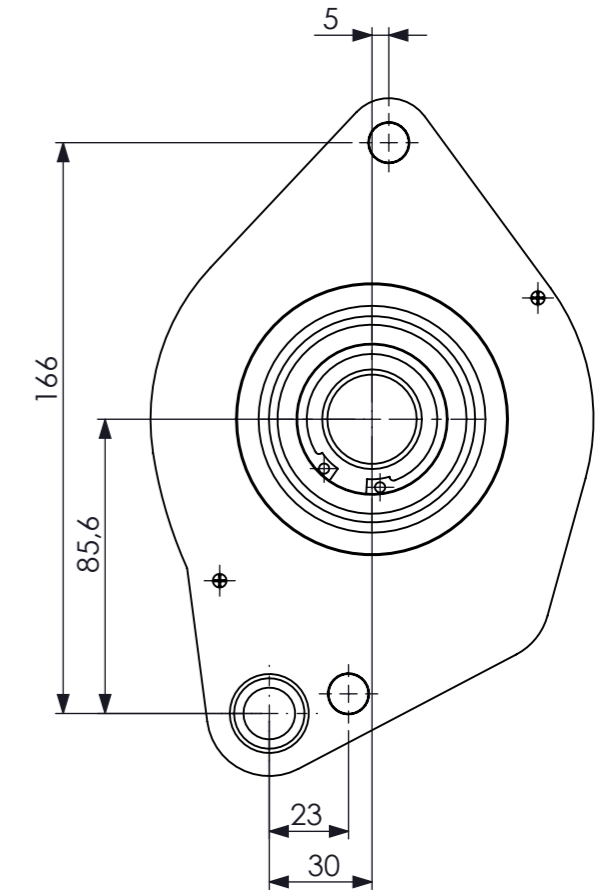
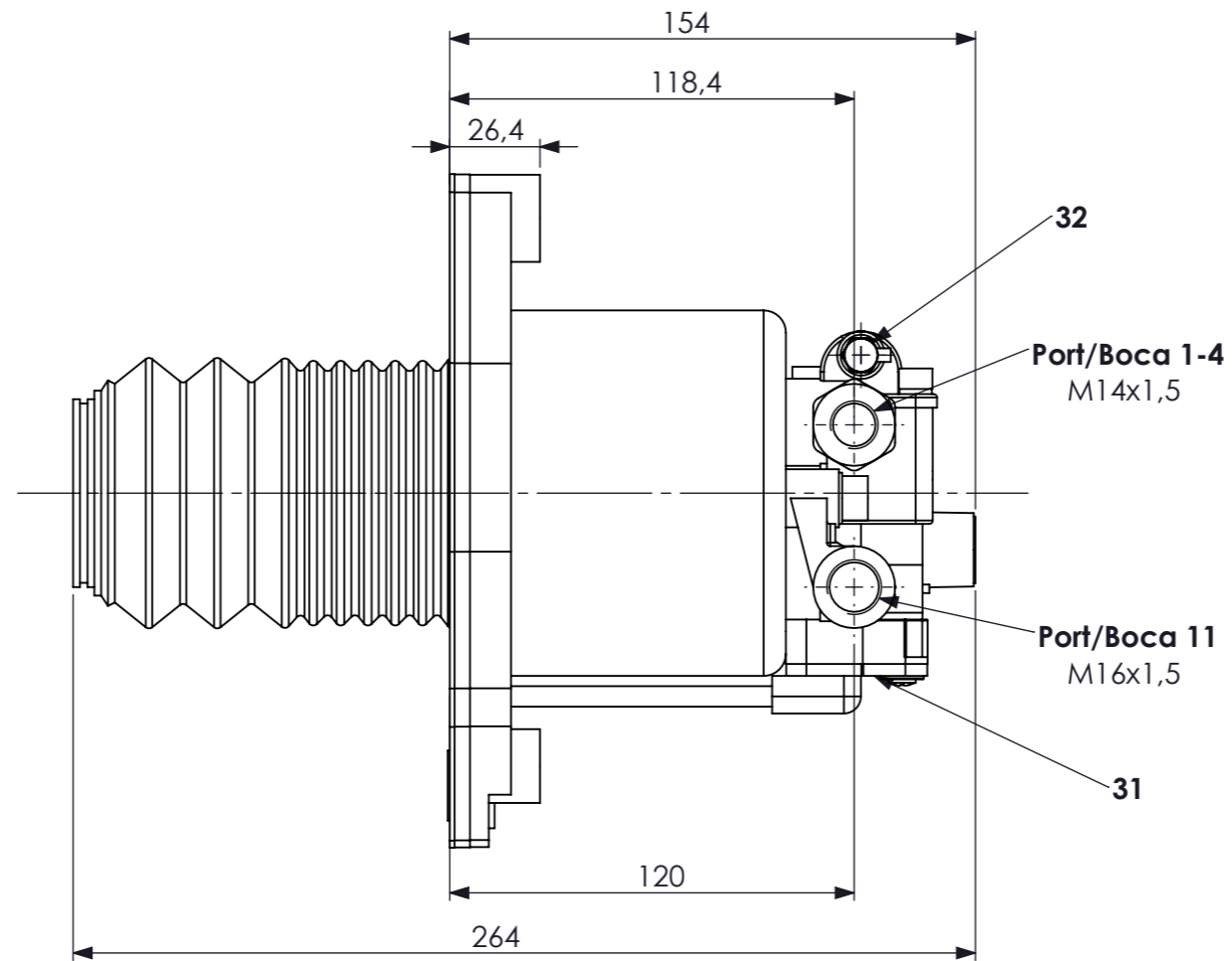
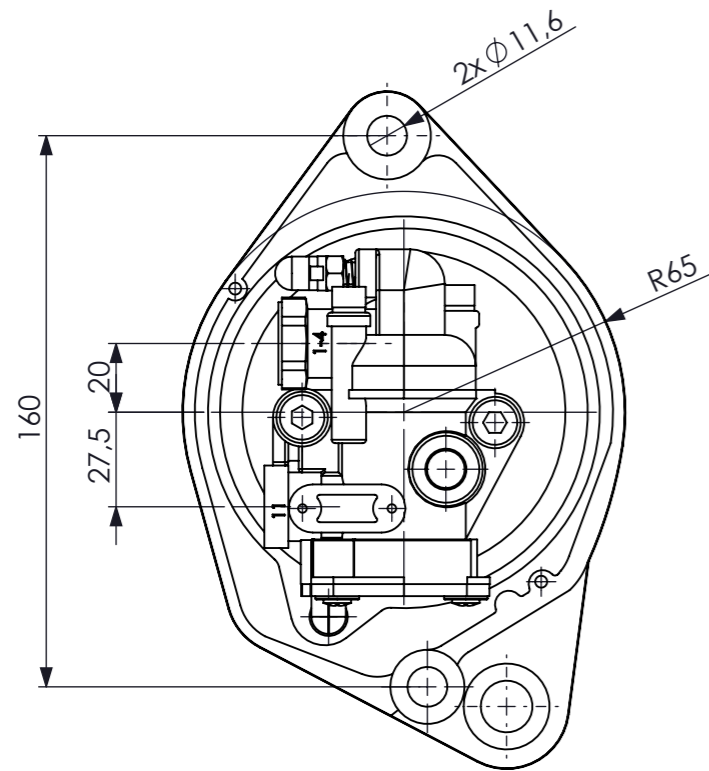
| Port / Conexión | Function / Función | Thread / Rosca |
|-----------------|--------------------------------------|----------------|
| 11 | Air Inlet / Entrada de aire | M16x1,5 |
| 1-4 | Hydraulic Inlet / Entrada hidráulica | M14x1,5 |
| 31 | Air Exhaust / Escape | - |
| 32 | Bleed Screw / Tornillo de Purga | - |


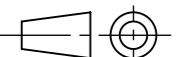
Purpose/ Finalidad:

To reduce the clutch pedal effort and provide a smooth and precise clutch operation./
Reducir la fuerza del pedal del embrague y conseguir un funcionamiento suave y preciso del mismo.

| | | | | | | | |
|--------------|----|----------|------|--------|-------------------|-----------------------------|-----------|
| Modification | 4 | | | | Drawn | | |
| | 3 | | | | 25/11/14 A.U. | | |
| | 2 | | | | Checked | | |
| | 1 | | | | 25/11/14 A.L. | | |
| | nº | Modified | Date | Reason | General Tolerance | Assembly | |
| Comments | | | | | - | | |
| | | | | | Part name | Clutch Servo/ Servoembrague | |
| | | | | | Material | ID. Reference | 2250221 |
| | | | | | Scale: - | | Sheet 1/2 |
| | | | | | Review: 0 | | |





| | | | | | | |
|--------------|-------------|------|--------|-------------------|---|---|
| Modification | 4 | | | Drawn |  | |
| | 3 | | | 25/11/14 A.U. | | |
| | 2 | | | Checked | | |
| | 1 | | | 25/11/14 A.L. | | |
| | nº Modified | Date | Reason | General Tolerance | Assembly | |
| Comments | | | | ISO 2768 c-K | Part name | - |
| | | | | Material | ID. Reference | Clutch Servo/ Servoembrague |
| | | | | - | Scale: 1/2 | 2250221 |
| | | | | | Review: 0 |  |
| | | | | | | Sheet 2/2 |