

1

2

3

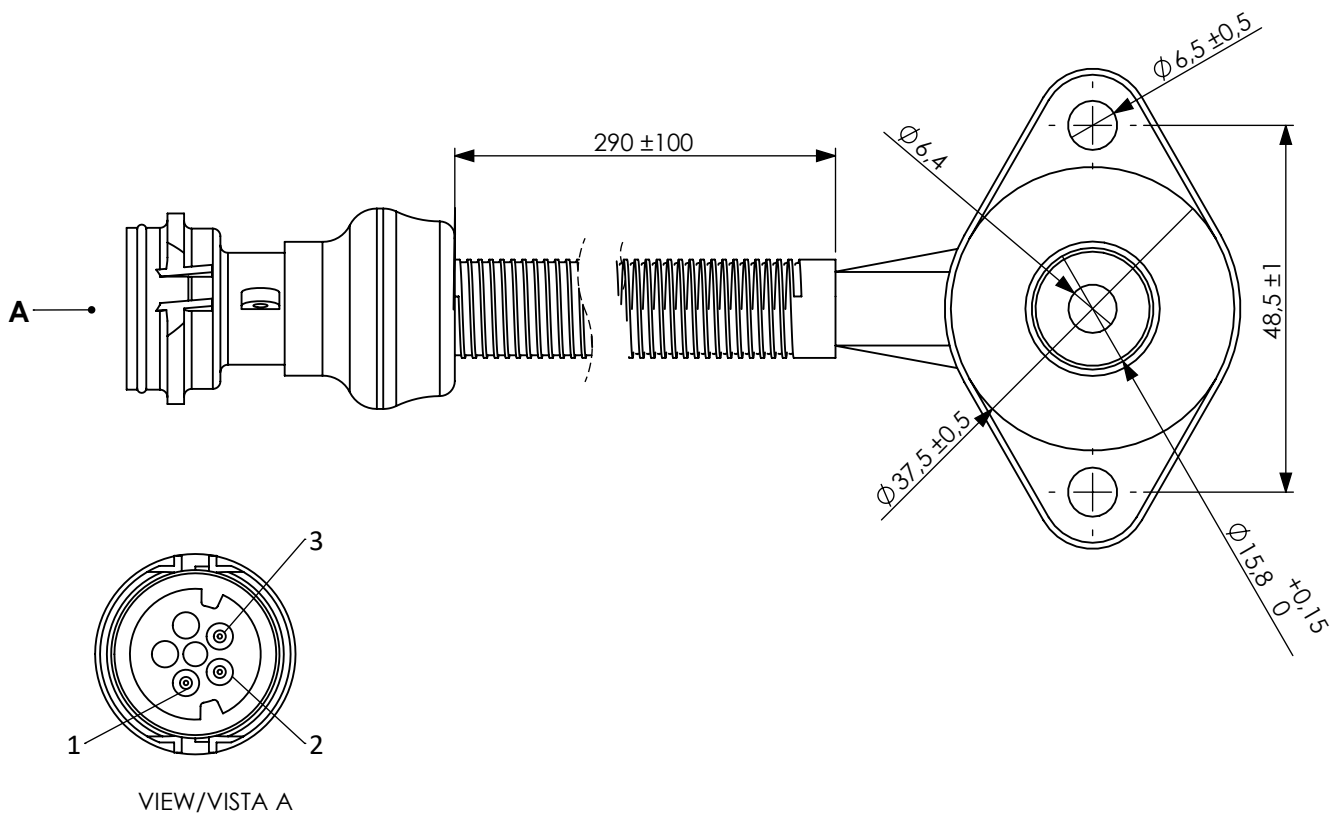
4

A

Technical Sheet / Datos técnicos:

Reference adaptable to / Referencia adaptable a :	51274210180
Operating temperature range / Rango de temperatura:	- 40°C a/to 80°C
Weight / Peso:	126 gr

PIN 1	SIGNAL/SEÑAL
PIN 2	+5V
PIN 3	GND/MASA



F

Modification

4					Drawn
3					17/07/20 S.F.
2					Checked
1					17/07/20 E.L.
nº	Modified	Date	Reason	General Tolerance	Assembly

Comments				ISO 2768 c-K	Part name	Boost pressure sensor/Sensor MAP
				Material	ID. Reference	2260291
				Material	Scale: 1/1	
					Review: 0	

 Sheet
1/1

F