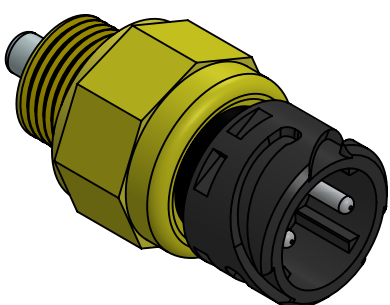
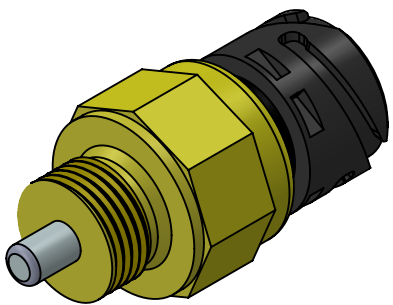
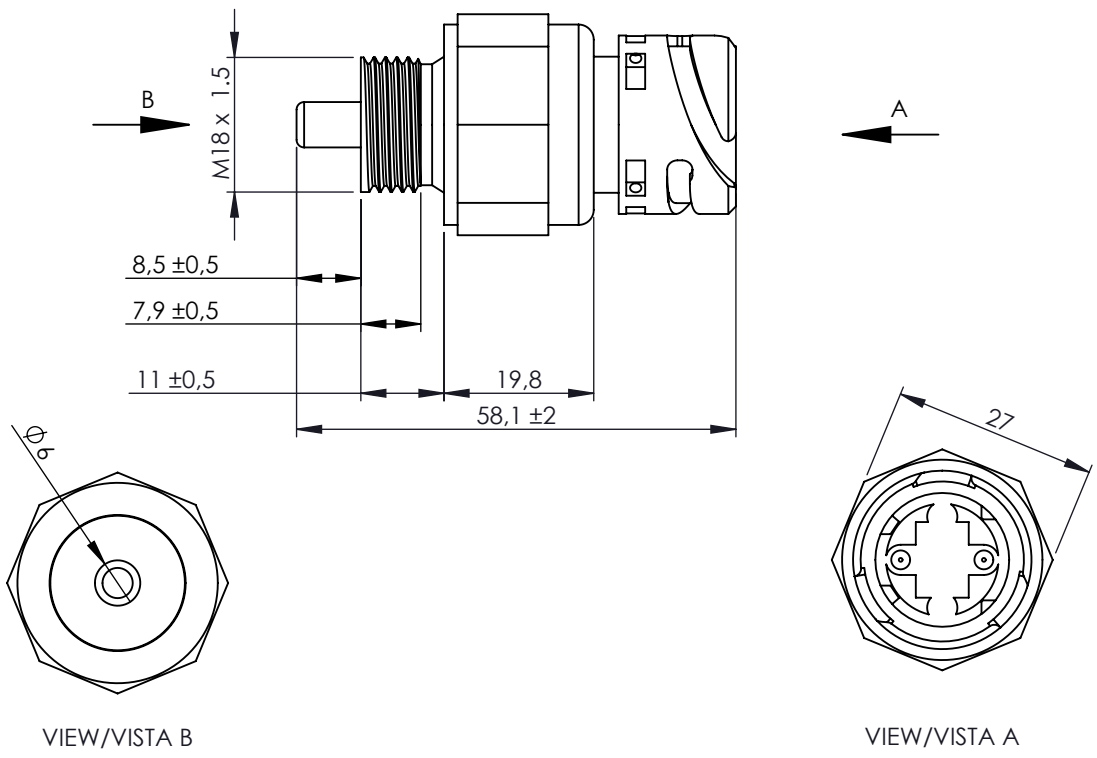


Technical data/ Datos técnicos:

| | |
|---|---|
| According to/ En referencia a: | 81255250257 |
| Rest position / Estado de reposo: | Normally closed/ Normalmente cerrado |
| Operating temperature range/Rango de temperatura: | -40°C a/to 80°C |
| Weight/ Peso | 60,5 gr |



| | | | | | | | | |
|--------------|----|----------|------|--------|-------------------|---------------|---------------------------------------|-----------|
| Modification | 4 | | | | Drawn | | | |
| | 3 | | | | 13/07/20 S.F. | | | |
| | 2 | | | | Checked | | | |
| | 1 | | | | 13/07/20 E.L. | | | |
| | nº | Modified | Date | Reason | General Tolerance | Assembly | | |
| Comments | | | | | ISO 2768 c-K | Part name | Pressure switch/Conmutador de presión | |
| | | | | | Material | ID. Reference | 2260353 | |
| | | | | | - | Scale: 1/1 | | Sheet 1/1 |
| | | | | | - | Review: 0 | | |