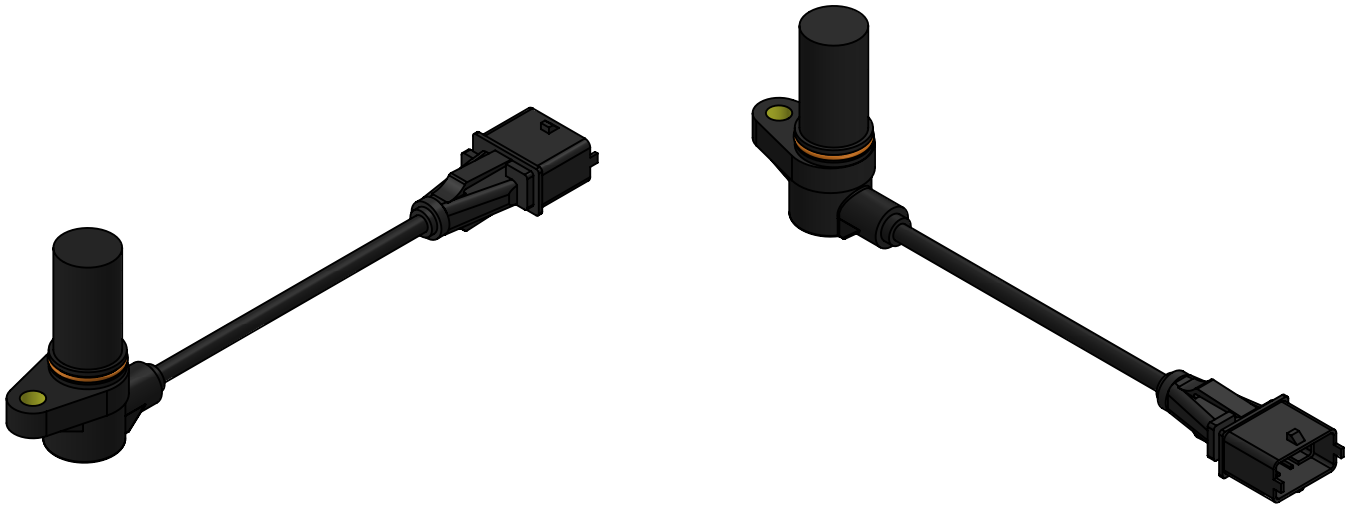
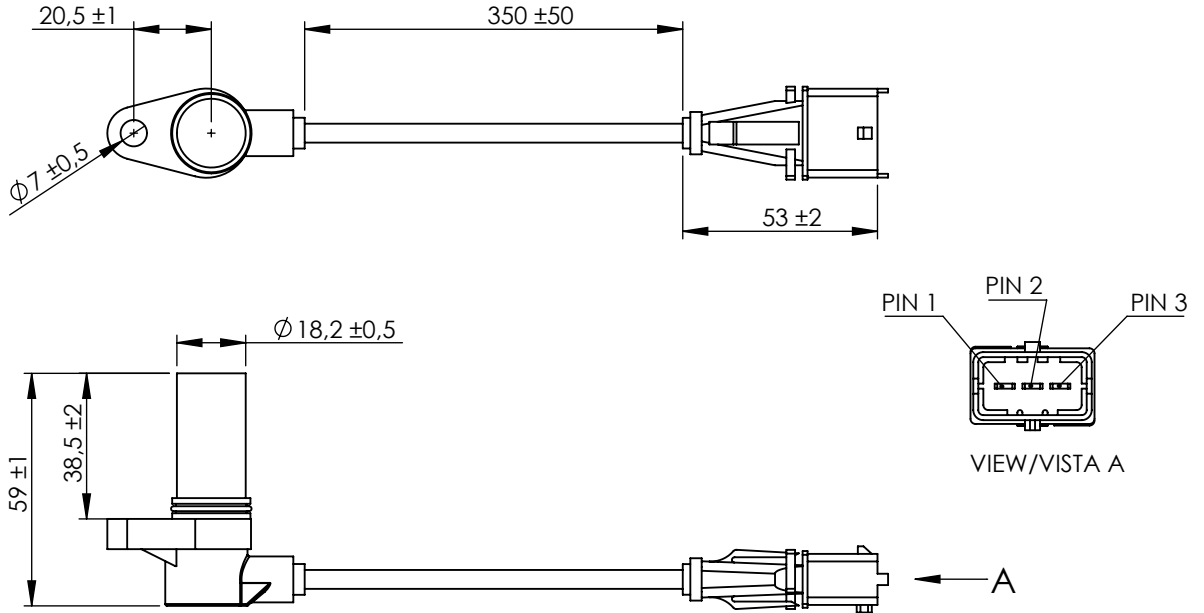


Technical data/ Datos técnicos:

According to/ En referencia a:	1607435
Operating temperature range/ Rango de temperatura:	-40°C a/to 80°C
Weight/Peso:	66,5 gr



F	Modification				Drawn	
	4				07/08/20 S.F.	
	3				Checked	
	2				07/08/20 E.L.	
	1					
nº	Modified	Date	Reason	General Tolerance	Assembly	-
Comments				ISO 2768 c-K	Part name	RPM sensor/Sensor de revoluciones
				Material	ID. Reference	2260493
				-	Scale: 1/2	
				-	Review: 0	