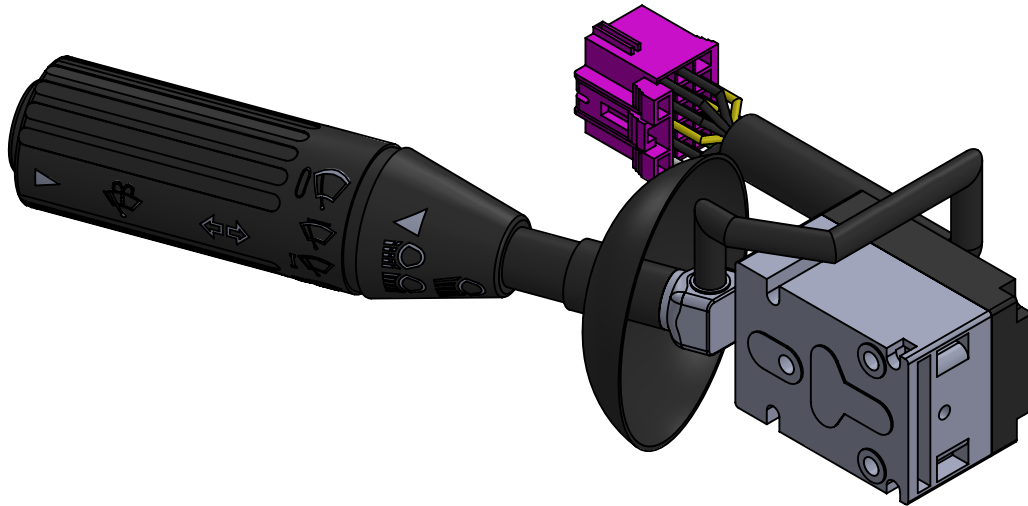


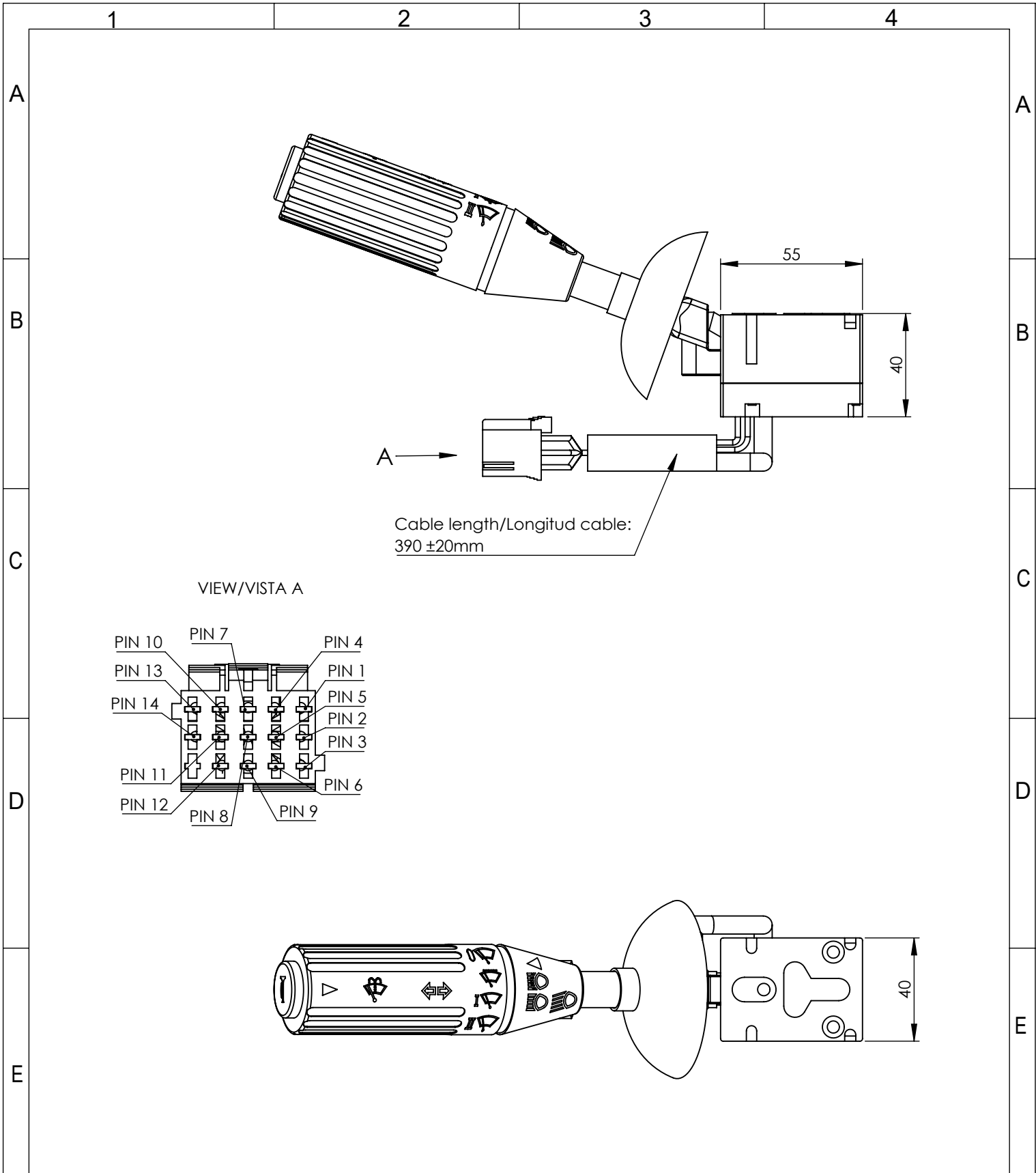
Technical data/ Datos técnicos:

According to / En referencia a:	0025406244
Operating temperature range/Rango de temperatura:	-40°C a/to 80°C
Supply voltage/Voltaje:	24V DC ±5%
Weight/Peso:	450 gr



Purpose / Propósito: Activate the turn signals of the vehicle, long-range and short-range lights, three different positions for the wiper, the wiper pump and the horn/ Permite activar los intermitentes del vehículo, las luces de largo y corto alcance, tres posiciones diferentes para el limpiaparabrisas, la bomba del limpiaparabrisas y la bocina.

Modification	4				Drawn		
	3				21/09/20 S.F.		
	2				Checked		
	1				21/09/20 E.L.		
	nº	Modified	Date	Reason	General Tolerance	Assembly	
Comments					ISO 2768 c-K	Part name	Combination Switch/Interruptor de columna
					Material	ID. Reference	2260612
						Scale:	
						Review: 0	



F	Modification	4				Drawn		F
		3				21/09/20 S.F.		
		2				Checked		
		1				21/09/20 E.L.		
	nº	Modified	Date	Reason	General Tolerance	Assembly		
Comments					ISO 2768 c-K	Part name	Combination Switch/Interruptor de columna	
					Material	ID. Reference	2260612	
					-	Scale: 1/2		Sheet 2/2
						Review: 0		