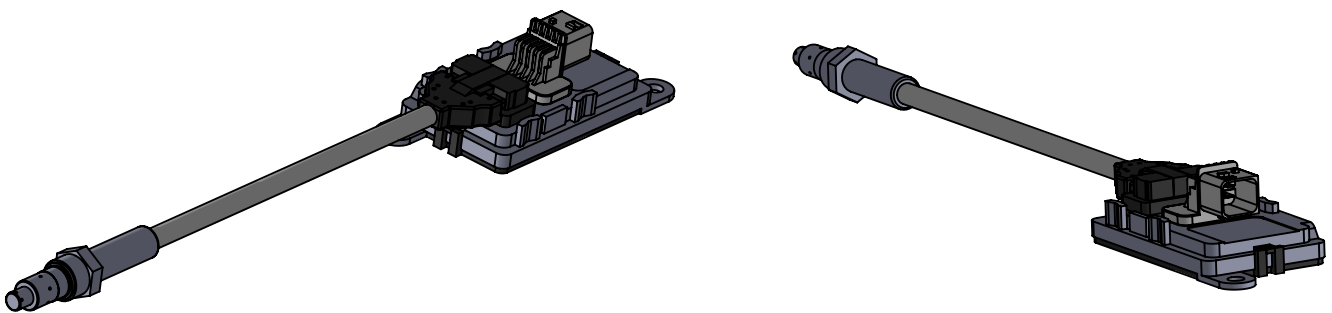
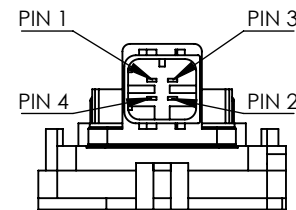
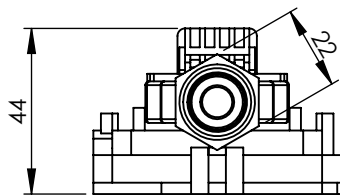
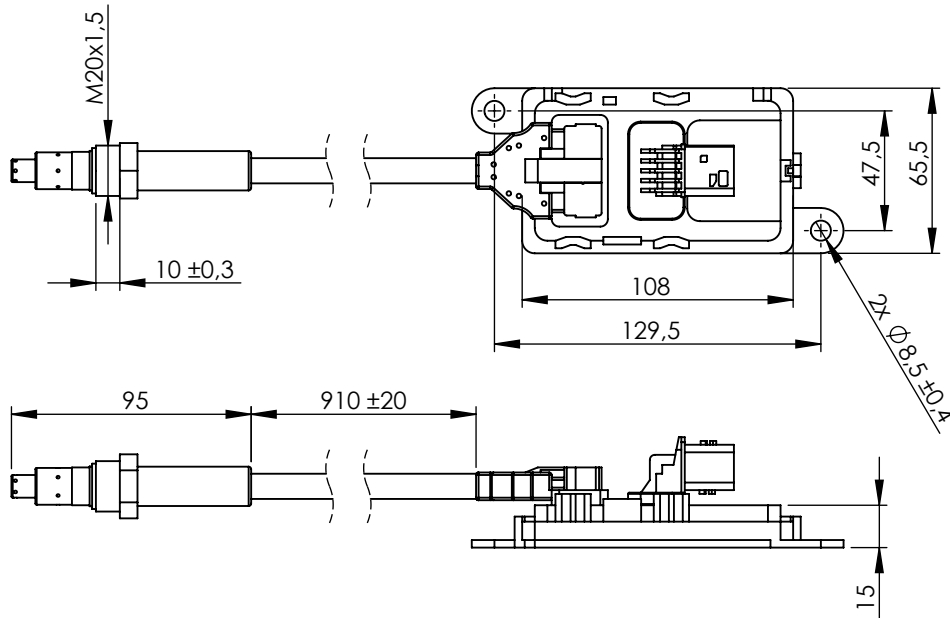


Technical data/ Datos técnicos:

According to/ En referencia a:	2294290
Operating temperature range/Rango de temperatura:	-40°C a/to 80°C
Weight/ Peso	369 gr

PIN 1	+24V
PIN 2	CAN L
PIN 3	CAN H
PIN 4	GND/MASA



F	Modification	4				Drawn	
		3				11/09/20 S.F.	
		2				Checked	
		1				11/09/20 E.L.	
	nº	Modified	Date	Reason	General Tolerance	Assembly	
Comments					ISO 2768 c-K	Part name	NOx sensor/Sensor NOx
					Material	ID. Reference	2269006
					-	Scale: 1/3	
					-	Review: 0	