

1

2

3

4

A

**Technical Data/ Datos Técnicos:**

A

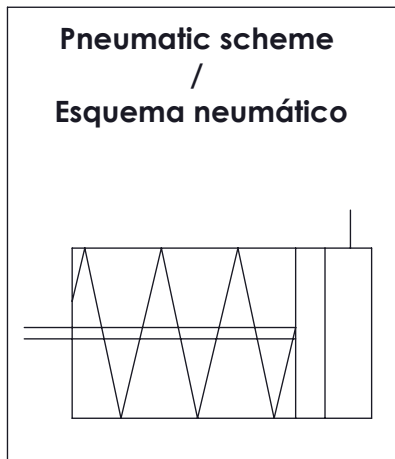
Part number adaptable to/ Referencia adaptable a:	SZ1114
Hydraulic fluid/ Fluido hidráulico:	Air/Aire
Thermal range/ Rango de temperatura:	-25°C to/ a +120°C
Supply pressure/ Presión de alimentación:	max. 8 bar
Stroke/ Carrera:	48 mm
Weight/ Peso:	350 gr

B

B

C

C



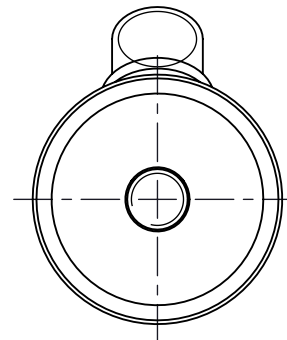
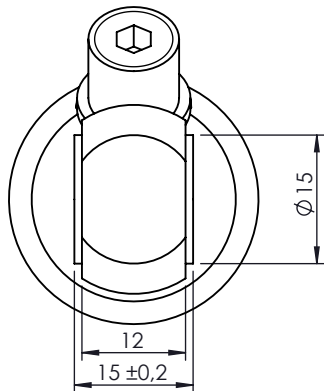
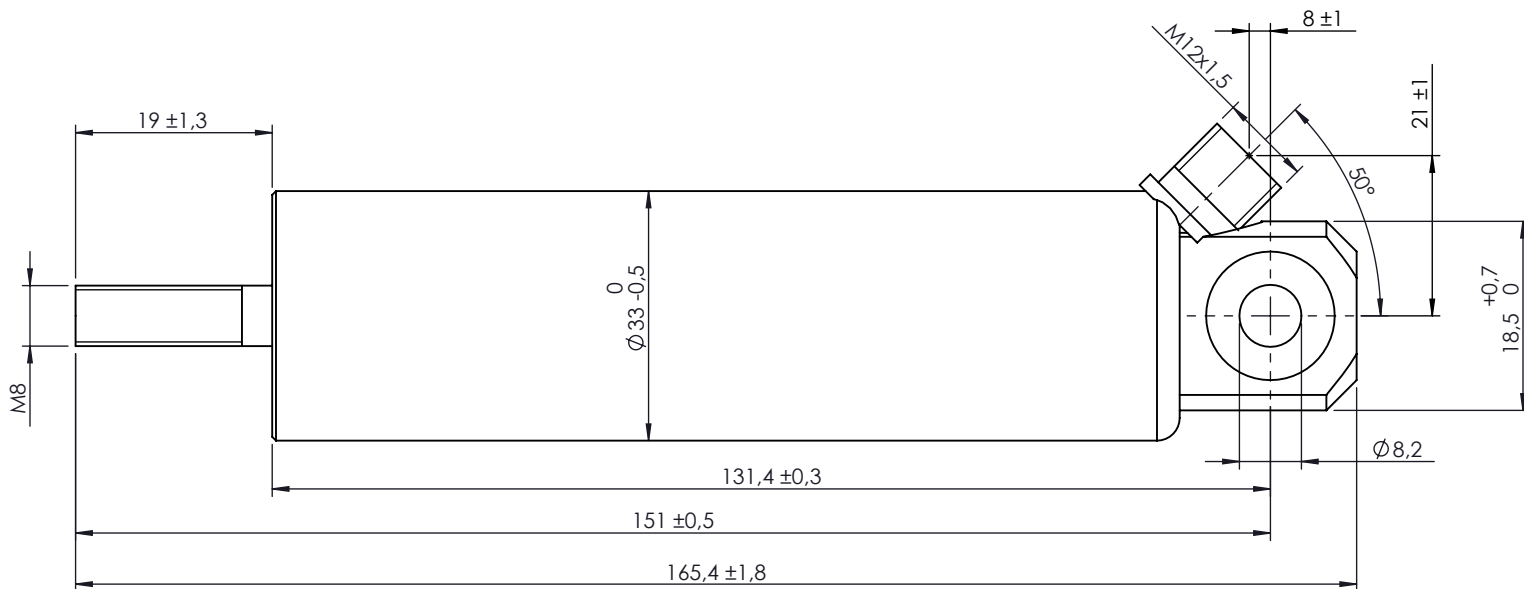
D

D

E

E

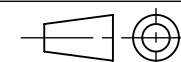
Modification	4				Drawn		
	3				02/09/20 S.F.		
	2				Checked		
	1				02/09/20 O.V.		
	nº	Modified	Date	Reason	General Tolerance		Assembly
Comments					-	Part name	Operating cylinder/Cilindro operacional
					Material	ID. Reference	2301200
					-	Scale: -	
					-	Review: 0	



Modification	4				Drawn
	3				02/09/20 S.F.
	2				Checked
	1				02/09/20 O.V.
	nº	Modified	Date	Reason	General Tolerance
Comments					Assembly
					-
					Part name
					ID. Reference
					2301200
					Scale: -
					Review: 0



Operating cylinder/Cilindro operacional



Sheet  
1/1