

1

2

3

4

A

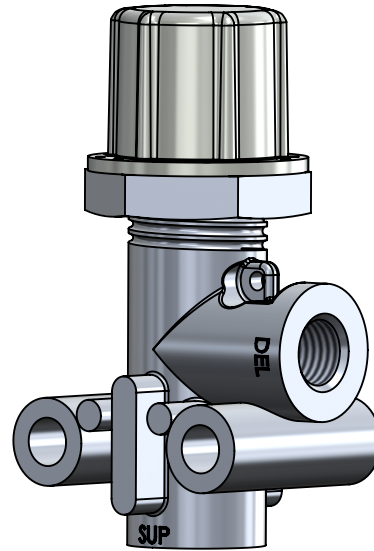
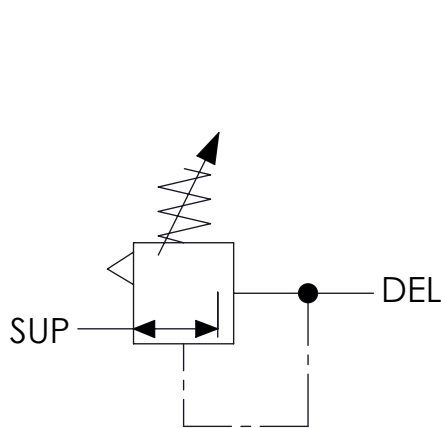
Technical sheet / Datos técnicos:

A

Part number adaptable to / Referencia adaptable a	KX204511
Outlet pressure (at a supply pressure of 8 bar) / Presión entregada (a una presión de alimentación de 8 bar)	3.9 bar
Permissible medium / Medio de funcionamiento	Air / Aire
Operating temperature range / Rango de temperatura	-40 °C to / a +80 °C
Weight / Peso	260 gr

B

B



C

C

D

D

Port / Conexión	Function / Función	Thread / Rosca
SUP	Supply / Alimentación	M12x1.5
DEL	Delivery / Salida	M12x1.5

Purpose / Propósito: To keep a constant and limited outlet pressure. / Mantener una presión de salida constante y limitada.

Installation requirements / Requisitos para la instalación: To install the valve with the exhaust port facing downwards. The valve must be installed using two screws M6. / Instalar la válvula con el escape orientado hacia abajo. La válvula debe ser instalada utilizando dos tornillos M6.

E

E

F

F

Modification	4				Drawn		
	3				05/06/11 A.M.		
	2				Checked		
	1				05/06/11 A.L.		
nº	Modified	Date	Reason	General Tolerance	Assembly	-	
Comments					-	Part name	Pressure limiting valve
					Material	ID. Reference	2323601
					-	Scale: -	
					-	Review: 0	

1

2

3

4

A

A

B

B

C

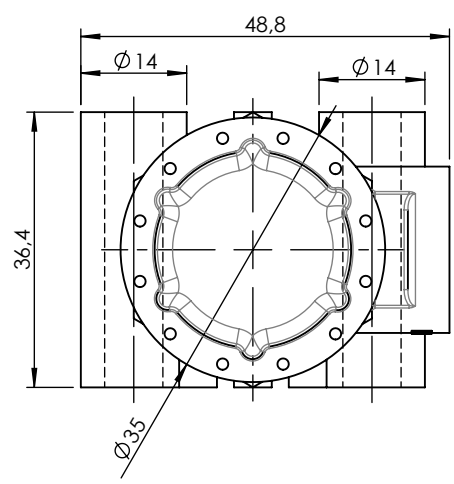
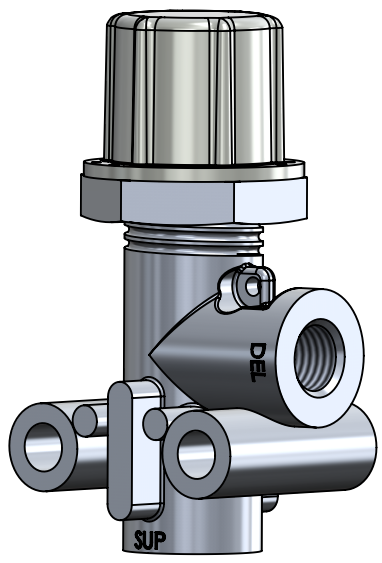
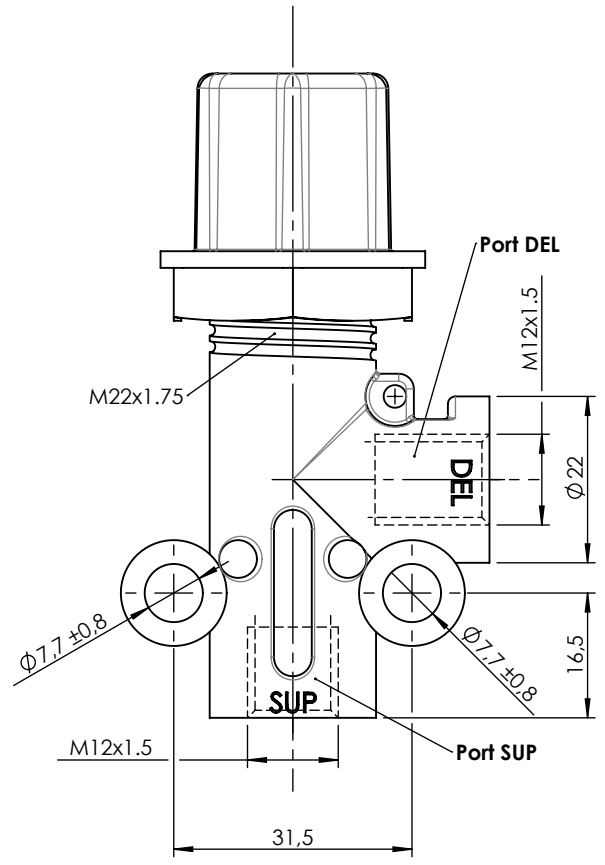
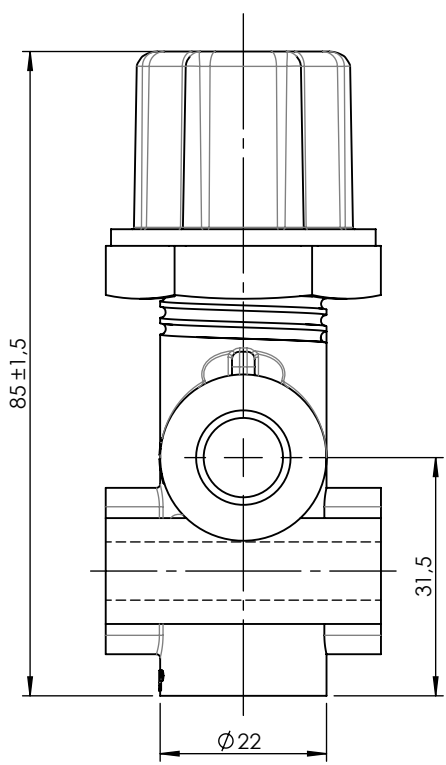
C

D

D

E

E



F	Modification	4				Drawn	
		3				05/06/11 A.M.	
		2				Checked	
		1				05/06/11 A.L.	
	nº	Modified	Date	Reason	General Tolerance	Assembly	
Comments					ISO 2768 c-K	Part name	Pressure limiting valve
					Material	ID. Reference	2323601
					-	Scale: 1/1	
					-	Review: 0	