

1

2

3

4

A

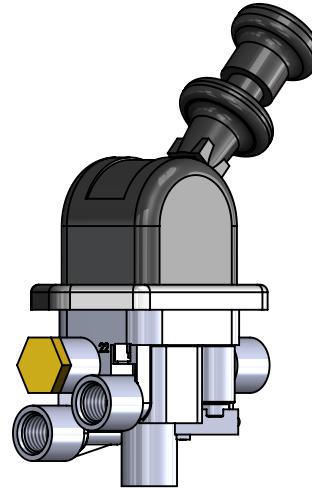
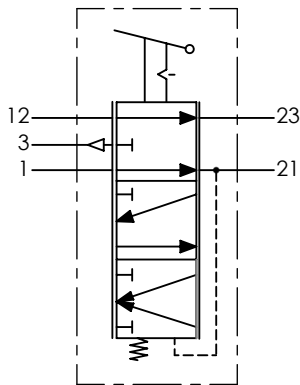
Technical sheet / Datos técnicos:

A

| | |
|--|--------------------|
| Part number adaptable to / Referencia adaptable a | DPM24AK |
| Operating pressure / Presión de trabajo | max. 10 bar |
| Actuation angle / Ángulo de accionamiento | 73° |
| Permissible medium / Medio de funcionamiento | Air / Aire |
| Operating temperature range / Rango de temperatura | -40°C to / a +80°C |
| Weight / Peso | 950 gr |

B

B



C

C

D

D

| Port / Conexión | Function / Función | Thread / Rosca |
|-----------------|-----------------------|----------------|
| 1 | Supply / Alimentación | M16x1.5 VOSS |
| 12 | supply / Alimentación | M16x1.5 VOSS |
| 21 | Delivery / Salida | M16x1.5 VOSS |
| 23 | Delivery / Salida | M16x1.5 VOSS |
| 3 | Exhaust / Escape | M16x1.5 VOSS |

E

E

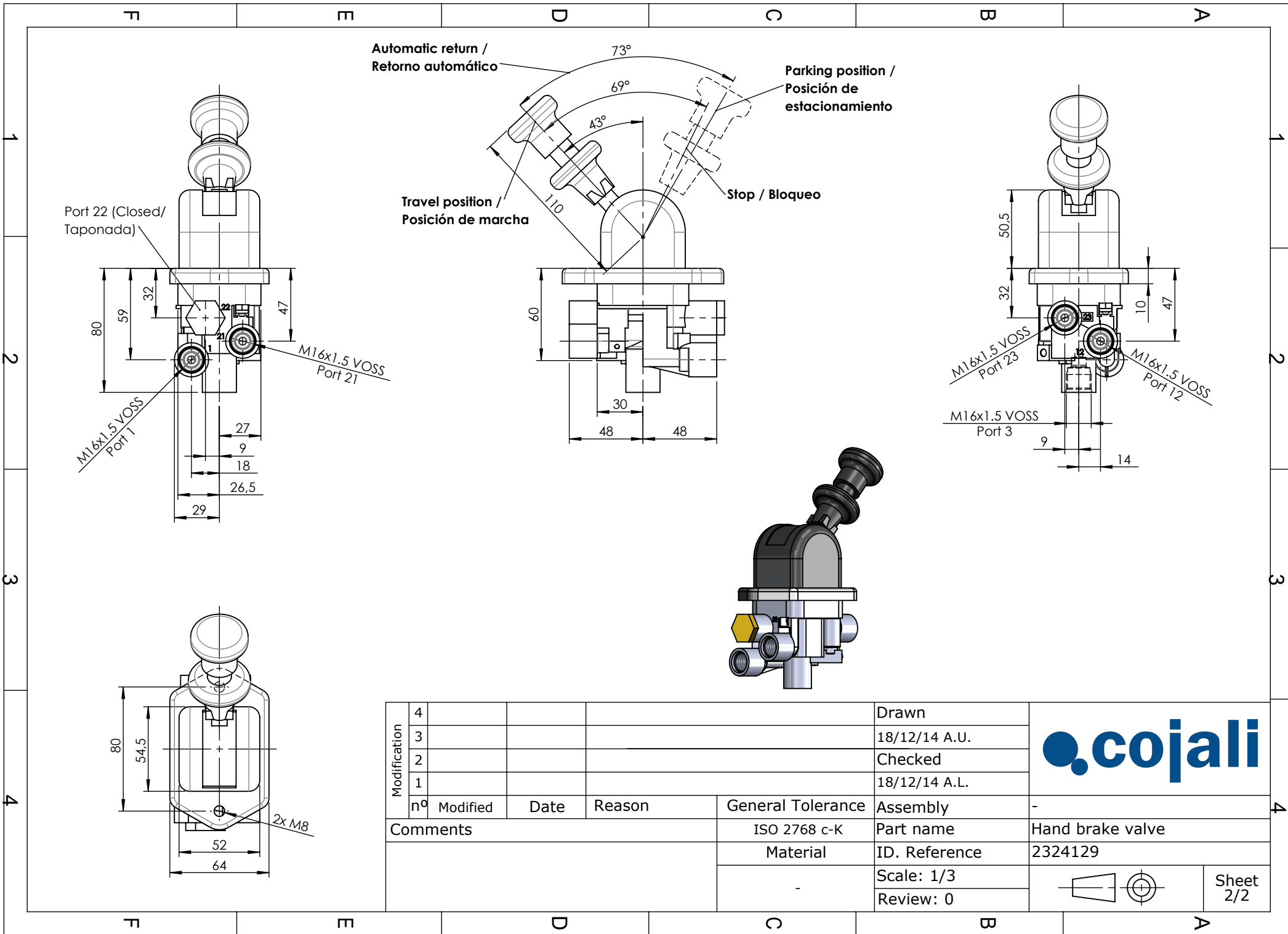
Purpose / Propósito: Parking braking actuation due to pressure release of spring brakes actuators. / Accionamiento del freno de estacionamiento gracias al alivio de la presión en las cámaras de muelle de los actuadores de freno.

Installation requirements / Requisitos para la instalación: The valve is fastened using two screws M8. / La válvula es fijada usando dos tornillos M8.

F

F

| | | | | | | | | |
|--------------|----|----------|------|--------|-------------------|---------------|------------------|-----------|
| Modification | 4 | | | | Drawn | | | |
| | 3 | | | | 18/12/14 A.U. | | | |
| | 2 | | | | Checked | | | |
| | 1 | | | | 18/12/14 A.L. | | | |
| | nº | Modified | Date | Reason | General Tolerance | | Assembly | - |
| Comments | | | | | - | Part name | Hand brake valve | |
| | | | | | Material | ID. Reference | 2324129 | |
| | | | | | - | Scale: - | | Sheet 1/2 |
| | | | | | - | Review: 0 | | |



| | | | | | | |
|--------------|----|----------|------|--------|-------------------|---------------|
| Modification | 4 | | | | Drawn | |
| | 3 | | | | 18/12/14 A.U. | |
| | 2 | | | | Checked | |
| | 1 | | | | 18/12/14 A.L. | |
| | nº | Modified | Date | Reason | General Tolerance | |
| Comments | | | | | ISO 2768 c-K | Assembly |
| | | | | | Material | Part name |
| | | | | | | ID. Reference |
| | | | | | | Scale: 1/3 |
| | | | | | | Review: 0 |

cojali

Hand brake valve

2324129

Sheet 2/2