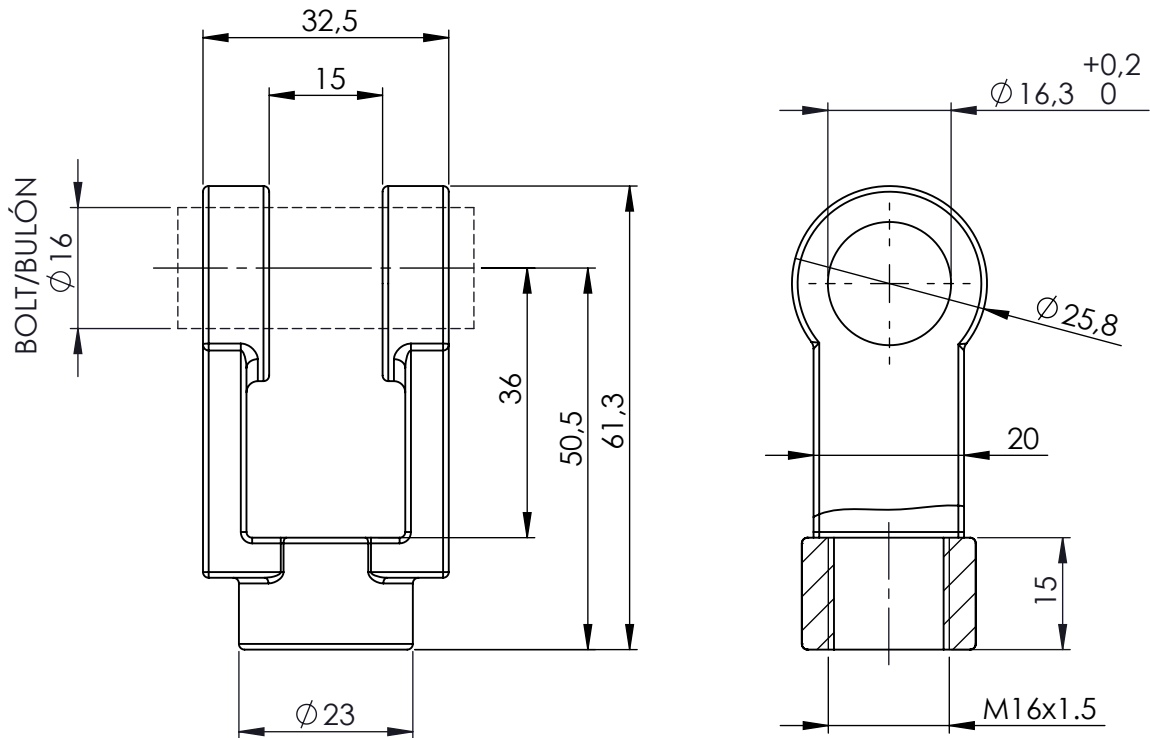
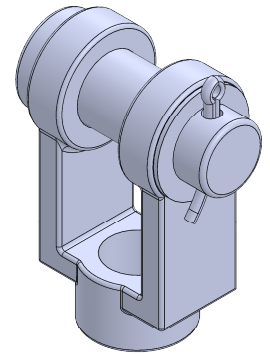


**Technical Sheet / Datos técnicos:**

Operating temperature range / Rango de temperatura:	- 40 °C a / to +80 °C
Weight / Peso:	200 g

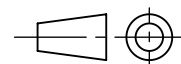


Modification	4				Drawn	
	3				27/06/17 A.U.	
	2				Checked	
	1				27/06/17 A.L.	
	nº	Modified	Date	Reason	General Tolerance	Assembly
Comments					ISO 2768 c-K	Part name
					Material	ID. Reference
						Scale: 1/1
						Review: 0



YOKE BOLT 16 mm /  
HORQUILLA BULON 16 mm

2351522



Sheet  
1/2