

1

2

3

4

A

Technical sheet / Datos técnicos:

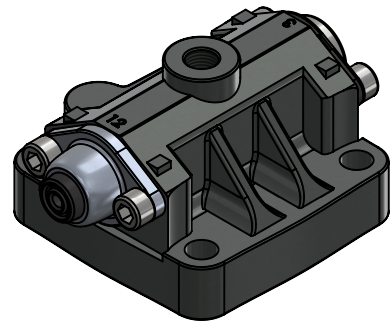
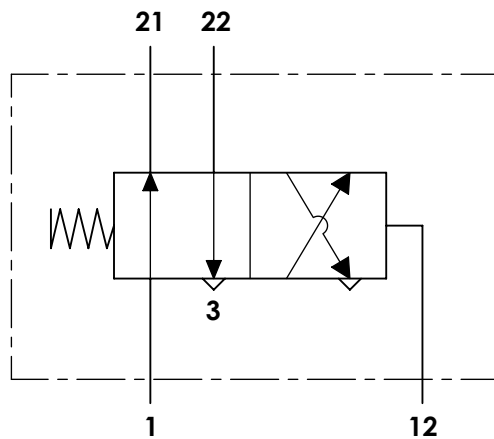
Part number adaptable to / Referencia adaptable a	1521249
Operating pressure / Presión de trabajo	max. 10 bar
Permissible medium / Medio de funcionamiento	Air / Aire
Operating temperature range / Rango de temperatura	-40 °C to / a +80 °C
Weight / Peso	350 gr

B

B

C

C



D

D

Port / Conexión	Function / Función	Thread / Rosca
1	Supply / Alimentación	M10x1,0
12	Supply / Alimentación	Quick connection - Tube 4 mm / Conexión rápida - tubo 4 mm
21	Delivery / Salida	Ø3 mm
22	Delivery / Salida	Ø2 mm
3	Exhaust / Escape	-

E

E

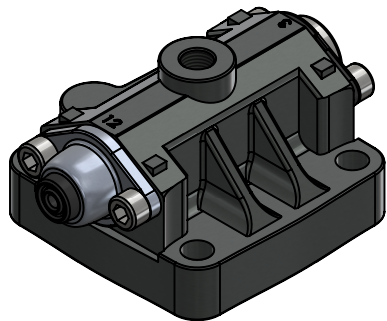
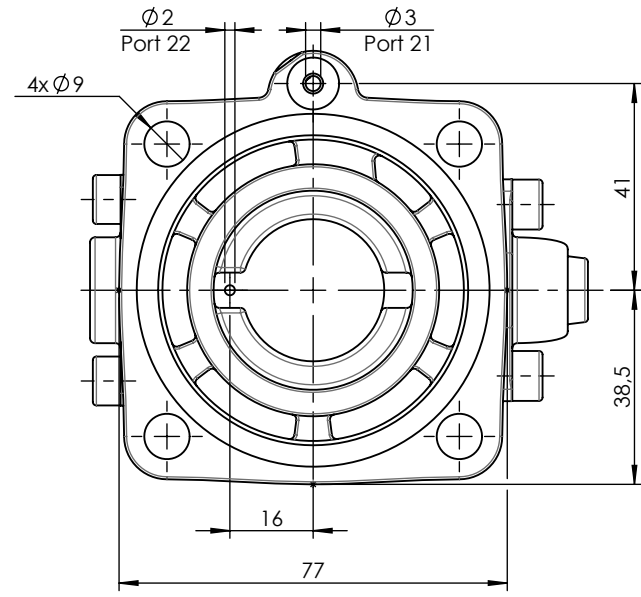
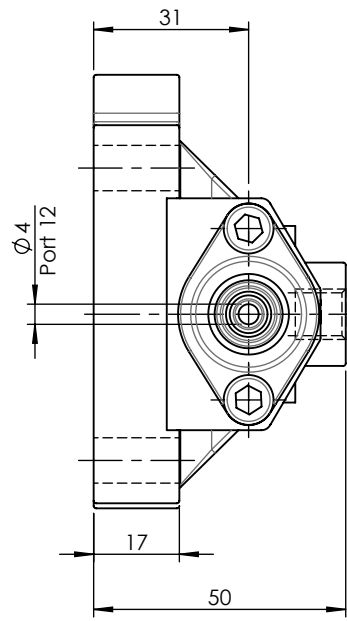
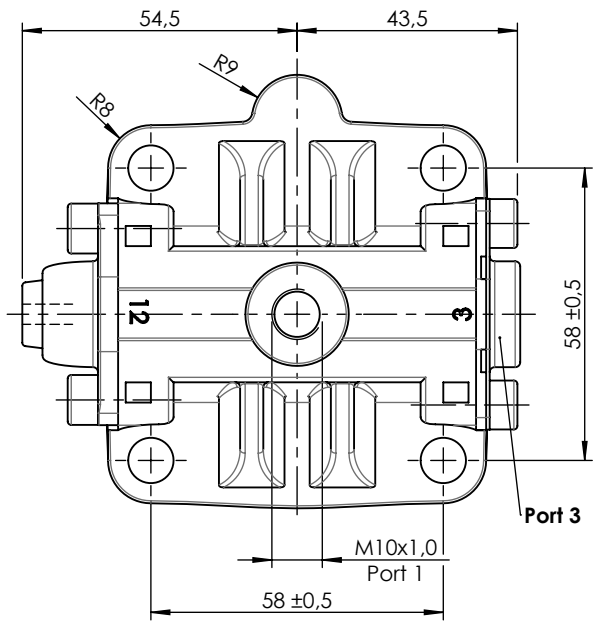
Installation requirements / Requisitos para la instalación:


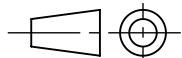
Mounting is accomplished with four screws M8. / El montaje se realiza mediante cuatro tornillos M8.

F

F

Modification	4				Drawn		
	3				19/10/15 A.U.		
	2				Checked		
	1				19/10/15 A.L.		
	nº	Modified	Date	Reason	General Tolerance		Assembly
Comments					-	Part name	Gearbox valve
					Material	ID. Reference	2880110
					-	Scale: -	
					-	Review: 0	



Modification	4				Drawn		
	3				19/10/15 A.U.		
	2				Checked		
	1				19/10/15 A.L.		
	nº	Modified	Date	Reason	General Tolerance	Assembly	
Comments					ISO 2768 c-K	Part name	Gearbox valve
					Material	ID. Reference	2880108
					-	Scale: 2/3	
					-	Review: 0	