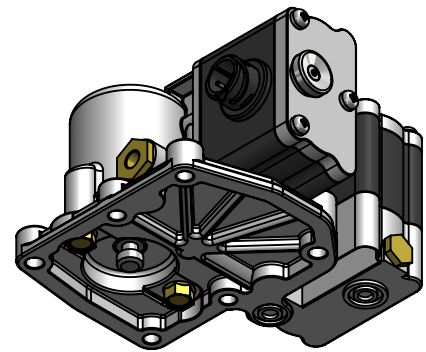
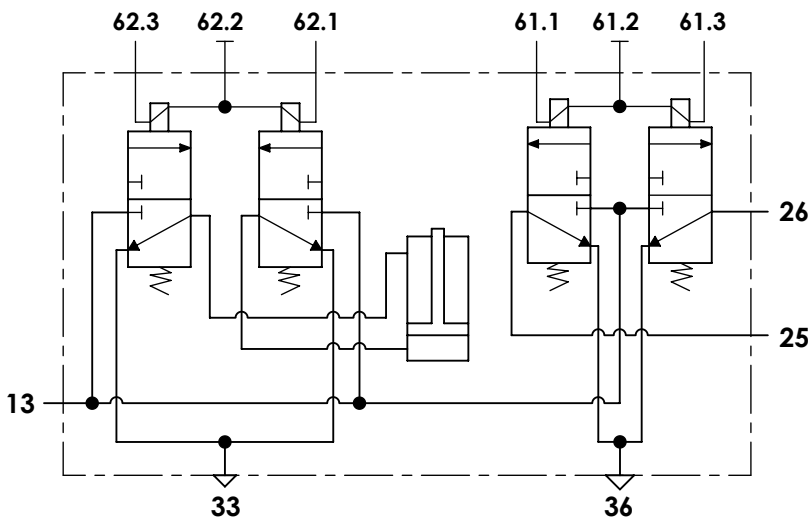


**Technical sheet / Datos técnicos:**

Part number adaptable to / Referencia adaptable a	4213510700
Operating pressure / Presión de trabajo	max. 10 bar
Voltage / Voltaje	24 V
Permissible medium / Medio de funcionamiento	Air / Aire
Operating temperature range / Rango de temperatura	-25 °C to / a +120 °C
Weight / Peso	2700 gr



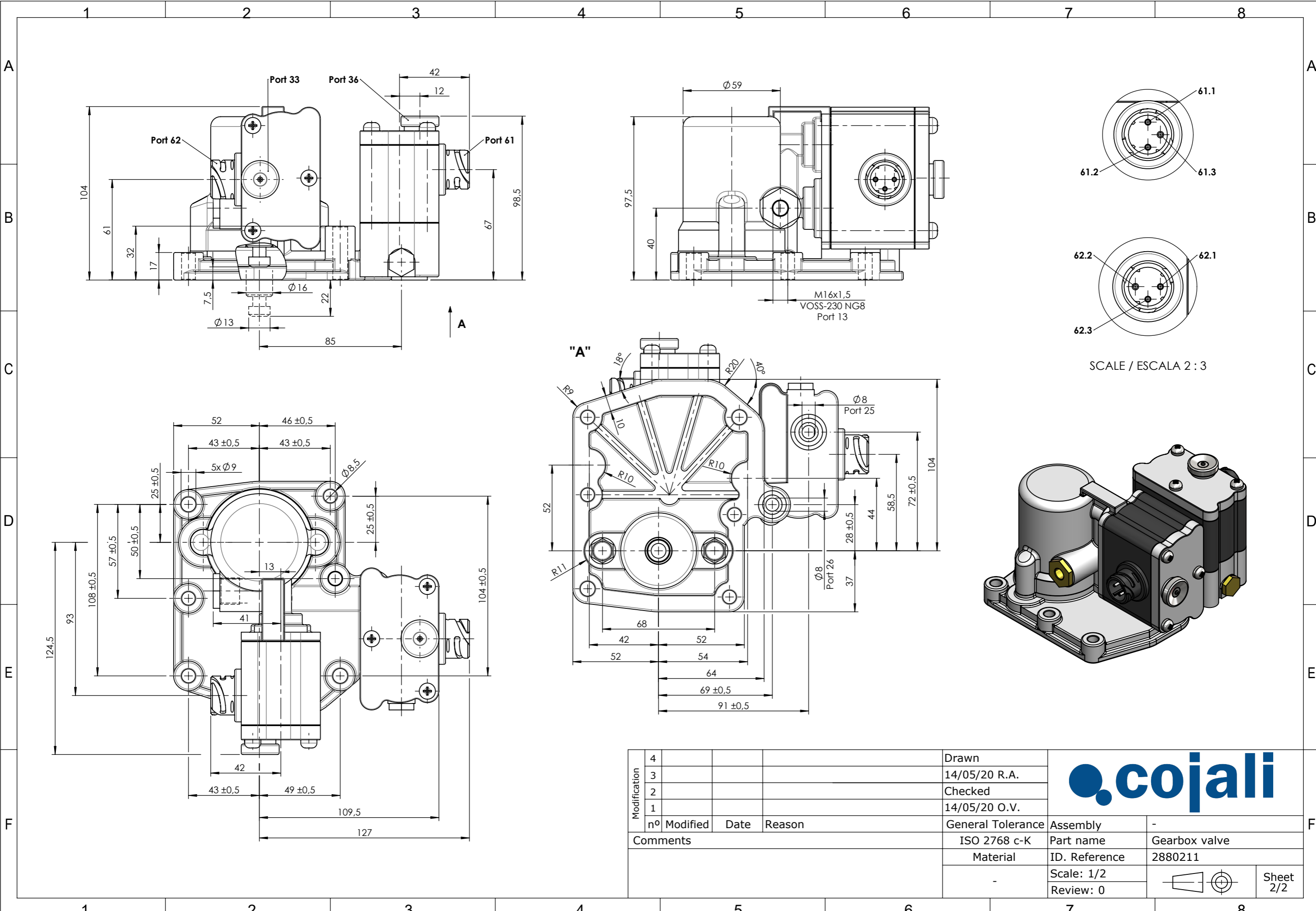
Port / Conexión	Function / Función	Thread / Rosca
13	Supply / Alimentación	M16x1,5 + Adapter/Adaptador VOSS-230 NG8
25	Delivery / Salida	Ø8 mm
26	Delivery / Salida	Ø8 mm
33	Exhaust / Escape	-
36	Exhaust / Escape	-
61 / 62	Electrical connection / Conexión eléctrica	2x Bayonet DIN 72585 A1-3

**Installation requirements / Requisitos para la instalación:**

Mounting is accomplished with six screws M8. / El montaje se realiza mediante seis tornillos M8.

Modification	4				Drawn		
	3				14/05/20 R.A.		
	2				Checked		
	1				14/05/20 O.V.		
	nº	Modified	Date	Reason	General Tolerance	Assembly	
Comments					-	Part name	Gearbox valve
					Material	ID. Reference	2880211
					-	Scale: -	
					-	Review: 0	





Modification	4			Drawn
	3			14/05/20 R.A.
	2			Checked
	1			14/05/20 O.V.
	n° Modified	Date	Reason	General Tolerance
Comments				ISO 2768 c-K

		Assembly	-
		Part name	Gearbox valve
		ID. Reference	2880211
		Scale: 1/2	
		Review: 0	
			Sheet 2/2