

1

2

3

4

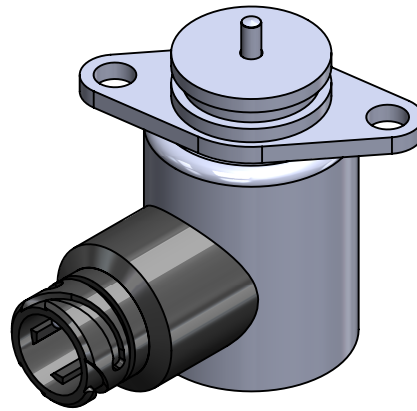
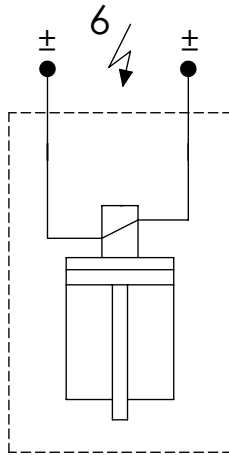
A

**Technical sheet / Datos técnicos:**

Part number adaptable to / Referencia adaptable a	81259330050
Type of current / Tipo de corriente	Direct current / Corriente continua
Voltage / Voltaje	24 V
Stroke / Carrera	4 mm
Operating temperature range / Rango de temperatura	-40°C to / a +80°C
Weight / Peso	550 gr

B

B



C

C

D

D

Port / Conexión	Function / Función	Thread / Rosca
6	Conector / Conector	DIN 72585 A1-2

**Purpose / Propósito:** Allow air flow to delivery port when the solenoid is activated. / Permitir el paso de aire hacia la conexión de salida cuando se activa el solenoide.

**Installation requirements / Requisitos para la instalación:** The valve must be installed using 2 screws M8. / La válvula debe ser instalada usando 2 tornillos M8.

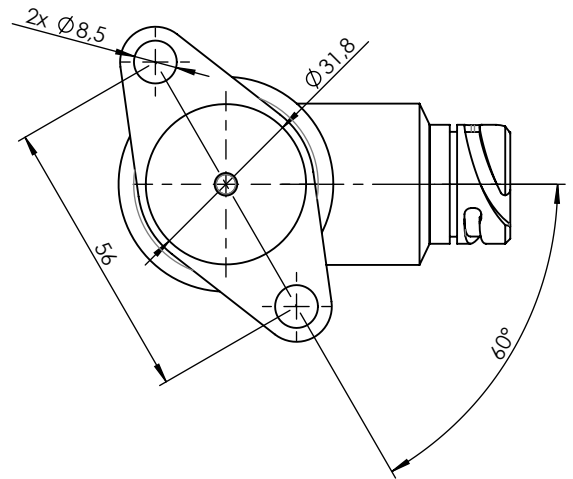
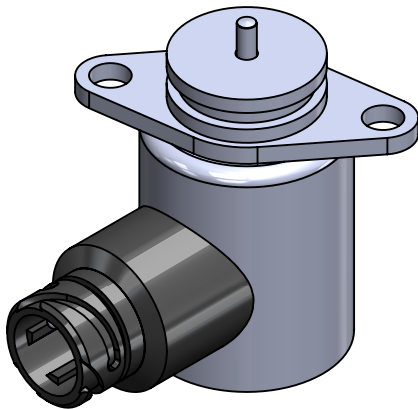
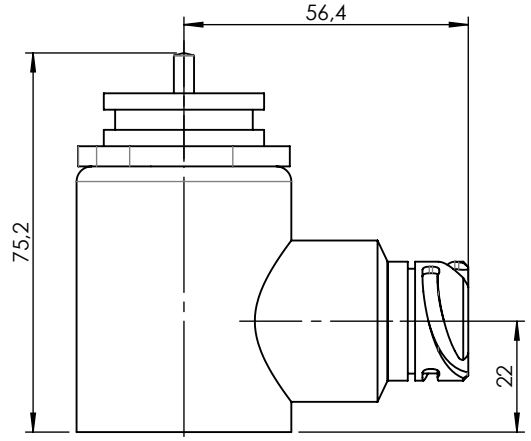
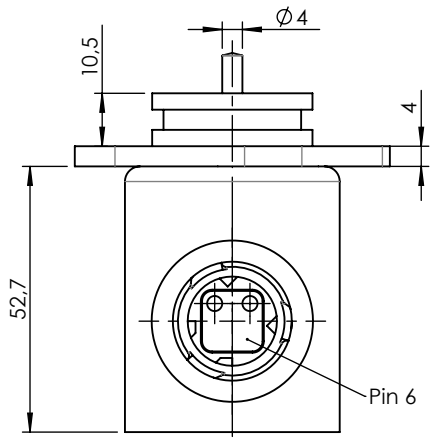
E


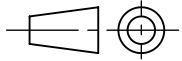
E

F

F

Modification	4				Drawn		
	3				18/06/20 S.F.		
	2				Checked		
	1				18/06/20 O.V.		
nº	Modified	Date	Reason	General Tolerance	Assembly	-	
Comments					-	Part name	Solenoid
					Material	ID. Reference	2880255
					-	Scale: -	
					-	Review: 0	



F	Modification					Drawn		F
	4					18/06/20 S.F.		
	3					Checked		
	2					18/06/20 O.V.		
	1							
	nº	Modified	Date	Reason	General Tolerance	Assembly	-	
Comments					ISO 2768 c-K	Part name	Solenoid	
					Material	ID. Reference	2880255	
					-	Scale: 2/3		Sheet 2/2
						Review: 0		