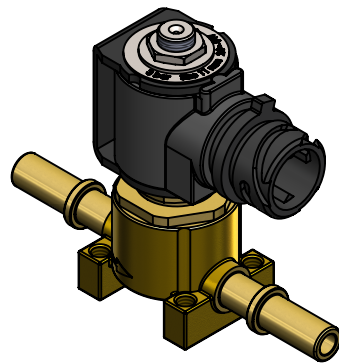
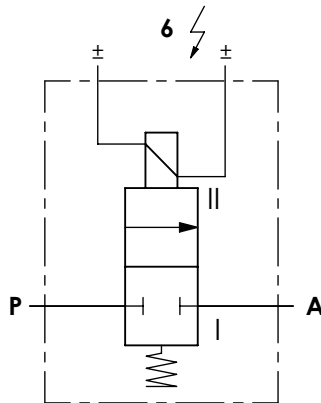


Technical sheet / Datos técnicos:

Part number adaptable to / Referencia adaptable a	21314742
Working pressure / Presión de trabajo	max. 3 bar
Type of current / Tipo de corriente	Direct current / Corriente continua
Voltage / Voltaje	24 V
Nominal current / Corriente nominal	0,37 A
Permissible medium / Medio de funcionamiento	Coolant liquid / Líquido refrigerante
Operating temperature range / Rango de temperatura	-40°C to / a +80°C
Weight / Peso	450 gr



Port / Conexión	Function / Función	Thread / Rosca
P	Supply / Alimentación	Ø10 mm
A	Delivery / Salida	Ø10 mm
6	Electric connection / Conexión eléctrica	Bayonet DIN 72585 A1-2

Purpose / Propósito:

To allow coolant liquid to flow from the engine to the Adblue®/DEF reservoir in order to maintain appropriate temperature and avoid the crystallization of Adblue®/DEF. / Permitir el paso de líquido refrigerante del motor hacia el depósito de Adblue®/DEF para mantener una temperatura adecuada y evitar la cristalización de Adblue®/DEF.

Installation requirements / Requisitos para la instalación:

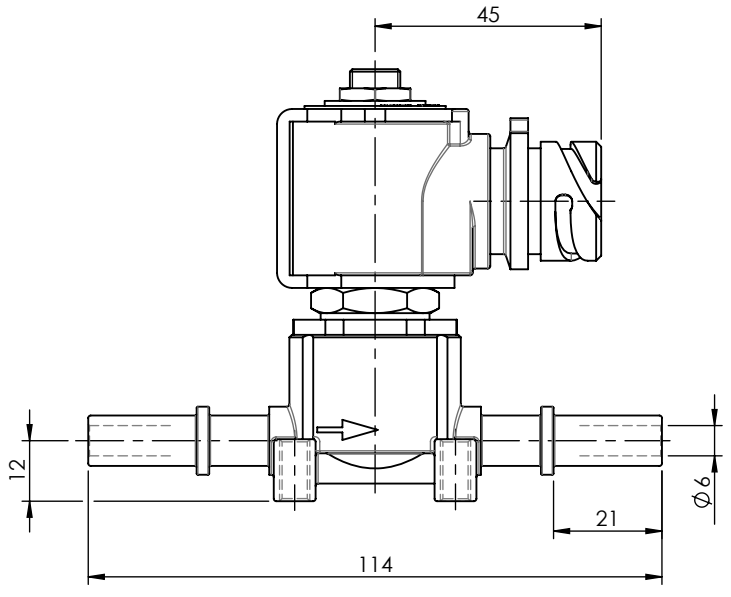
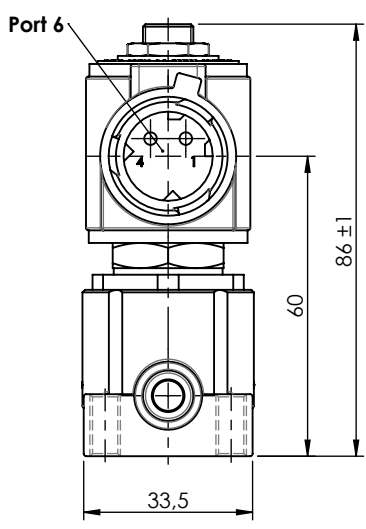
The valve must be installed using four screws M6. / La válvula debe ser instalada usando cuatro tornillos M6.

Modification	4				Drawn		
	3				31/07/19 J.S.		
	2				Checked		
	1				31/07/19 O.V.		
	nº	Modified	Date	Reason	General Tolerance		Assembly
Comments					-	Part name	Solenoid valve
					Material	ID. Reference	2880266
					-	Scale: -	
					-	Review: 0	

1 2 3 4

A

A

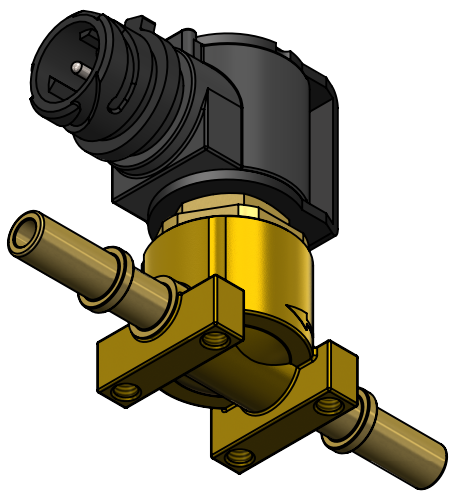
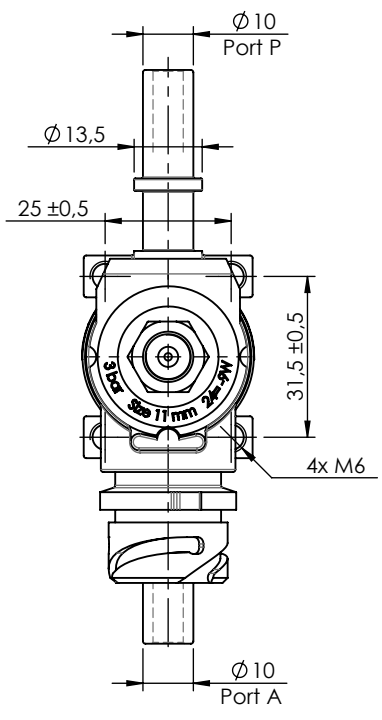


B

B

C

C



D

D

E

E

F	Modification	4				Drawn		F
		3				31/07/19 J.S.		
		2				Checked		
		1				31/07/19 O.V.		
	nº	Modified	Date	Reason	General Tolerance	Assembly		
Comments					ISO 2768 c-K	Part name	Solenoid valve	
					Material	ID. Reference	2880266	
					-	Scale: 2/3		Sheet 2/2
					-	Review: 0		